



RICOH UNIVERSITY

Learning ♦ Knowledge ♦ Performance



D010
PARTS CATALOG

003242MIU

LANIER RICOH SAVIN



D010
PARTS CATALOG

LANIER
RICOH
SAVIN



RICOH UNIVERSITY

Learning ♦ Knowledge ♦ Performance

D010 PARTS CATALOG

003242MIU

LANIER RICOH SAVIN®

It is the reader's responsibility when discussing the information contained within this document to maintain a level of confidentiality that is in the best interest of Ricoh Americas Corporation and its member companies.

**NO PART OF THIS DOCUMENT MAY BE REPRODUCED IN ANY
FASHION AND DISTRIBUTED WITHOUT THE PRIOR
PERMISSION OF RICOH AMERICAS CORPORATION.**

All product names, domain names or product illustrations, including desktop images, used in this document are trademarks, registered trademarks or the property of their respective companies.

They are used throughout this book in an informational or editorial fashion only and for the benefit of such companies. No such use, or the use of any trade name, or web site is intended to convey endorsement or other affiliation with Ricoh products.

LEGEND

PRODUCT CODE	COMPANY			
	GESTETNER	LANIER	RICOH	SAVIN
D010	DSm625	LD125	Aficio MP 2500	7025
B406	Platen Cover Type 1018			
B792	Finisher SR3010			
D326	DDST Unit Type E			
D327	Feature Expansion Board Type 2500			
D330	Auto Reverse Document Feeder DF 3020			
D331	Paper Feed Unit PB 3030			
D339	1 Bin Tray BN 3020			
D340	Bridge Unit BU 3010			
D345	Fax Option Type 2500			
D359	Printer/Scanner Unit Type 2500			

DOCUMENTATION HISTORY

REV. NO.	DATE	COMMENTS
*	09/2007	Original Printing

D010

TABLE OF CONTENTS

D010 PARTS LOCATION AND LIST

LOCATION OF UNIT	3
1.EXTERIOR 1 (D010)	8
2.EXTERIOR 2 (D010)	10
3.OPERATION PANEL (D010)	12
4.OPTICS SECTION 1 (D010)	14
5.OPTICS SECTION 2 (D010)	16
6.OPTICS SECTION 3 (D010)	18
7.LASER UNIT (D010)	20
8.BY-PASS FEED SECTION (D010)	22
9.1st PAPER TRAY (D010).....	24
10.2nd PAPER TRAY (D010).....	26
11.PAPER REGISTRATION (D010).....	28
12.1ST PAPER FEED SECTION (D010)	30
13.2ND PAPER FEED SECTION 1 (D010)	32
14.2ND PAPER FEED SECTION 2 (D010)	34
15.PCU 1 (D010)	36
16.PCU 2 (D010)	38
17.TONER SUPPLY UNIT (D010)	40
18.FUSING UNIT (D010).....	42
19.PAPER EXIT SECTION (D010)	44
20.DUPLEX UNIT 1 (D010).....	46
21.DUPLEX UNIT 2 (D010).....	48
22.DUPLEX UNIT 3 (D010).....	50
23.DRIVE SECTION 1 (D010).....	52
24.DRIVE SECTION 2 (D010).....	54
25.DRIVE SECTION 3 (D010).....	56

26.ELECTRICAL SECTION 1 (D010)	58
27.ELECTRICAL SECTION 2 (D010)	60
28.GDI UNIT (D010).....	62
29.BICU BOARD (D010)	64
30.DECAL AND DOCUMENT (D010)	78
31.SPECIAL TOOLS (D010)	80

D010 PARTS INDEX

PARTS INDEX	2
--------------------------	----------

PLATEN COVER TYPE 1018 B406 PARTS LOCATION AND LIST

1.Platen Cover Type 1018 (B406)	2
---------------------------------------	---

PLATEN COVER TYPE 1018 B406 PARTS INDEX

PARTS INDEX	2
--------------------------	----------

FINISHER SR3010 B792 PARTS LOCATION AND LIST

1.Exterior (B792).....	2
2.Jogger Unit (B792).....	4
3.Paper Exit 1 (B792)	6
4.Paper Exit 2 (B792)	8
5.Paper Exit 3 (B792)	10
6.Paper Exit 4 (B792)	12
7.Paper Exit 5 (B792)	14
8.Electrical and Drive 1 (B792).....	16
9.Electrical and Drive 2 (B792).....	18
10.Frame (B792).....	20

FINISHER SR3010 B792 PARTS INDEX	
PARTS INDEX	2
DDST UNIT TYPE E D326 PARTS LOCATION AND LIST	
1.DDST Unit Type E (D326).....	2
DDST UNIT TYPE E D326 PARTS INDEX	
PARTS INDEX	2
FEATURE EXPANSION BOARD TYPE 2500 D327 PARTS LOCATION AND LIST	
1.Feature Expansion Board 1 (D327)	2
2.Feature Expansion Board 2 (D327)	4
3.Controller Board (D327)	6
FEATURE EXPANSION BOARD TYPE 2500 D327 PARTS INDEX	
PARTS INDEX	2
ARDF DF 3020 D330 PARTS LOCATION AND LIST	
1.ARDF 1 (D330).....	2
2.ARDF 2 (D330).....	4
3.ARDF 3 (D330).....	6
4.ARDF 4 (D330).....	8
5.ARDF 5 (D330).....	10
6.ARDF 6 (D330).....	12
7.ARDF 7 (D330).....	14
8.Decals and Documents (D330)	16
ARDF DF 3020 D330 PARTS INDEX	
PARTS INDEX	2
PAPER FEED UNIT PB 3030 D331 PARTS LOCATION AND LIST	
1.EXTERIOR (D331).....	2

2.PAPER TRAY (D331).....	4
3.PAPER FEED/TRANSFER (D331)	6
4.ELECTRICAL SECTION 1 (D331)	8
5.ELECTRICAL SECTION 2 (D331)	10
6.ELECTRICAL SECTION 3 (D331)	12
7.DECALS AND DOCUMENTS (D331)	14

PAPER FEED UNIT PB 3030 D331 PARTS INDEX	
PARTS INDEX	2

1 BIN TRAY BN 3020 D339 PARTS LOCATION AND LIST	
1.1Bin Tray (D339)	2

1 BIN TRAY BN 3020 D339 PARTS INDEX	
PARTS INDEX	2

BRIDGE UNIT BU 3010 D340 PARTS LOCATION AND LIST	
1.BRIDGE UNIT 1 (D340)	2
2.BRIDGE UNIT 2 (D340)	4

BRIDGE UNIT BU 3010 D340 PARTS INDEX	
PARTS INDEX	2

FAX OPTION TYPE 2500 D345 PARTS LOCATION AND LIST	
1.Fax Option (D345)	2

FAX OPTION TYPE 2500 D345 PARTS INDEX	
PARTS INDEX	2

PRINTER/SCANNER UNIT TYPE 2500 D359 PARTS LOCATION AND LIST	
1.Printer/Scanner Unit (D359)	2

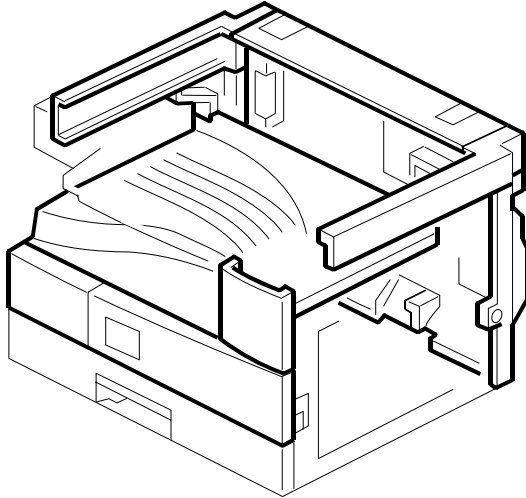
PRINTER/SCANNER UNIT TYPE 2500 D359 PARTS INDEX	
PARTS INDEX	2

D010
PARTS LOCATION AND LIST

This section instructs you as to the numbers and names of parts on this machine.

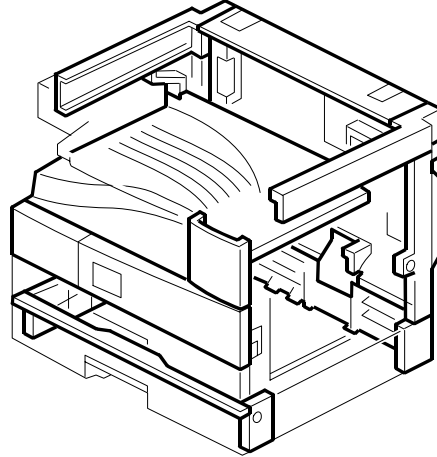
LOCATIONS OF UNITS

1. EXTERIOR 1 (D010)



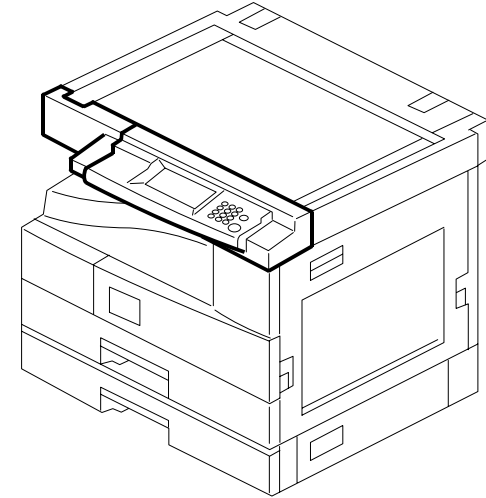
See Page 6

2. EXTERIOR 2 (D010)



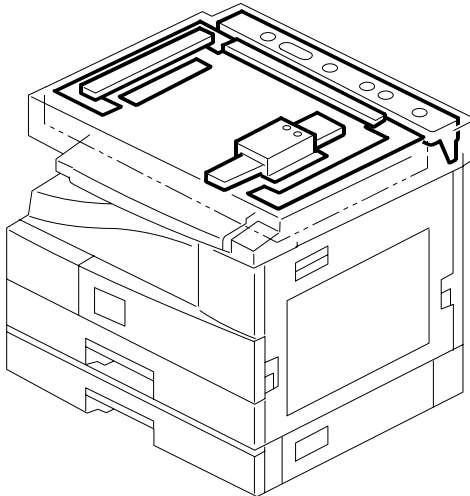
See Page 8

3. OPERATION PANEL (D010)



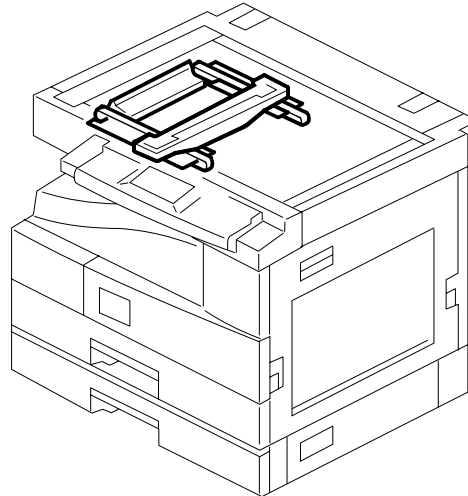
See Page 10

4. OPTICS SECTION 1 (D010)



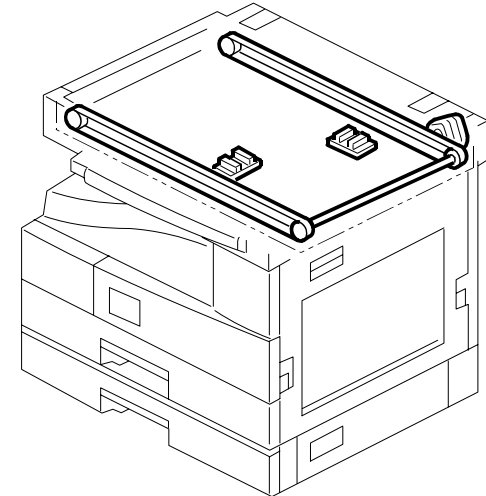
See Page 12

5. OPTICS SECTION 2 (D010)



See Page 14

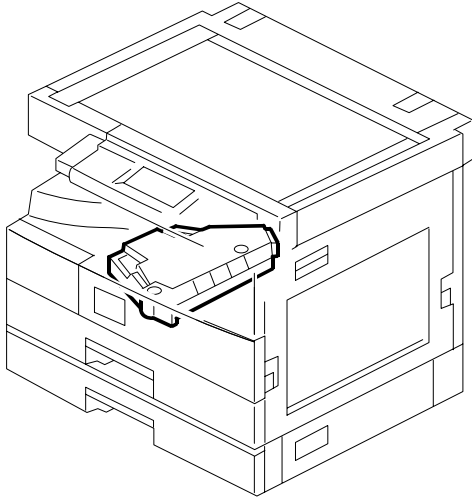
6. OPTICS SECTION 3 (D010)



See Page 16

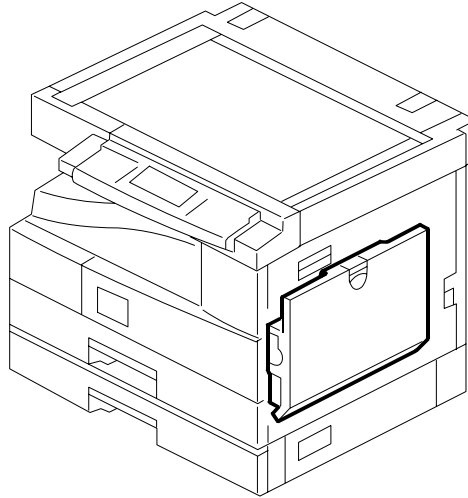
LOCATIONS OF UNITS

7. LASER UNIT (D010)



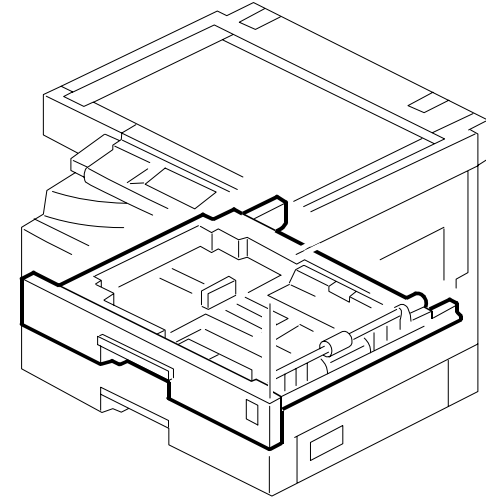
See Page 18

8. BY-PASS FEED SECTION (D010)



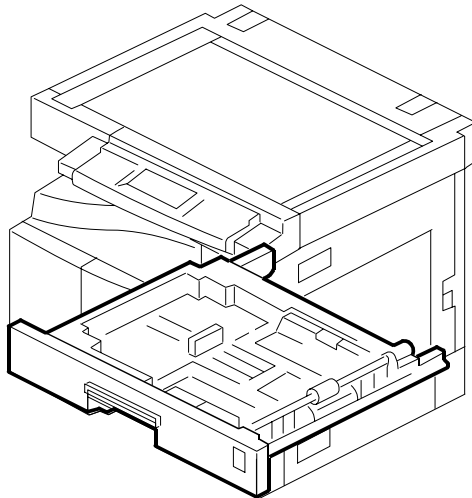
See Page 20

9. 1st PAPER TRAY (D010)



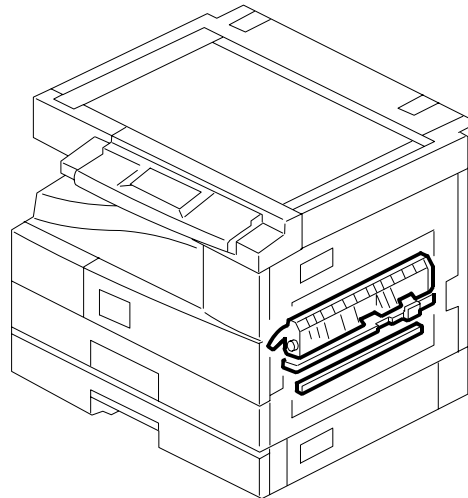
See Page 22

10. 2nd PAPER TRAY (D010)



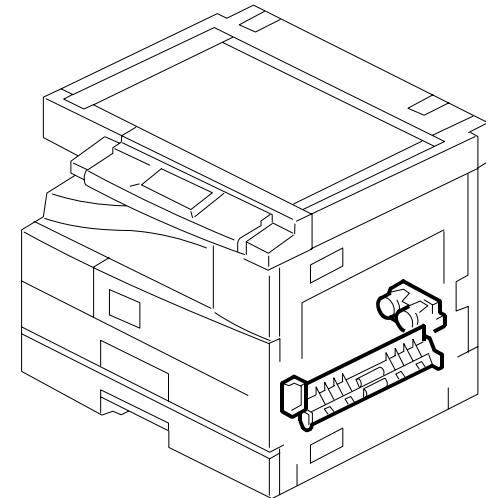
See Page 24

11. PAPER REGISTRATION (D010)



See Page 26

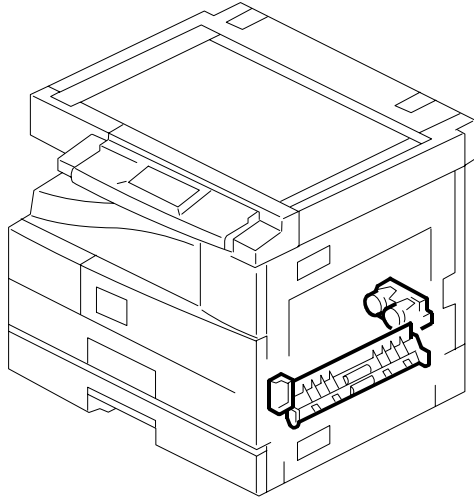
12. 1ST PAPER FEED SECTION



See Page 28

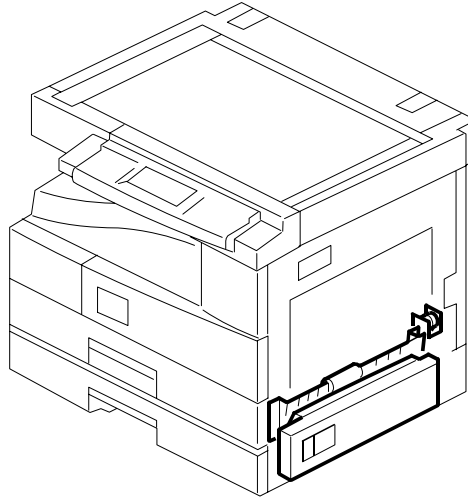
LOCATIONS OF UNITS

13. 2ND PAPER FEED SECTION 1



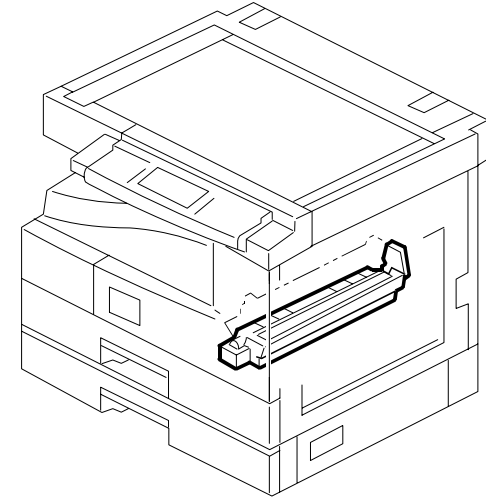
See Page 30

14. 2ND PAPER FEED SECTION 2



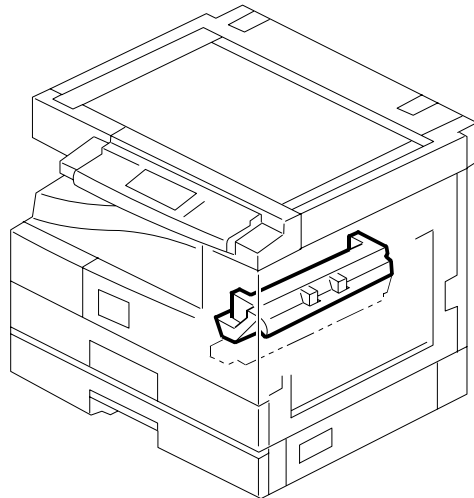
See Page 32

15. PCU 1 (D010)



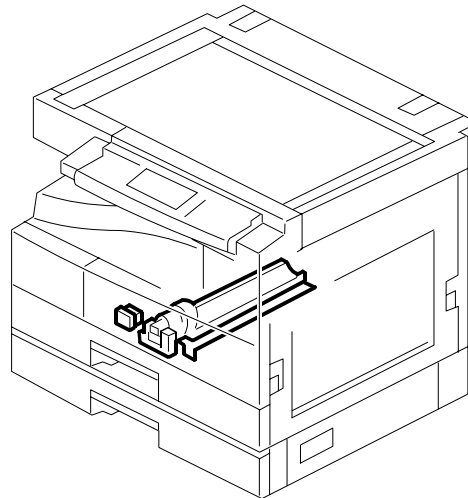
See Page 34

16. PCU 2 (D010)



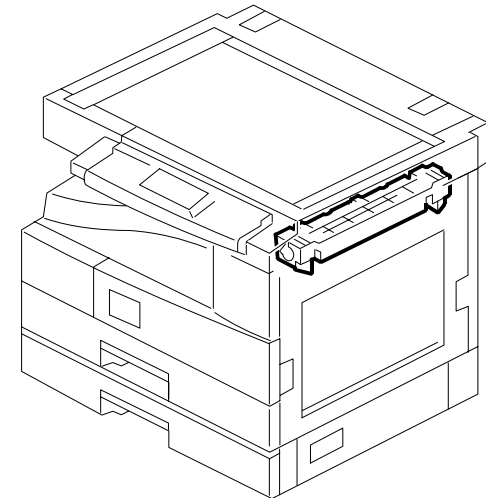
See Page 36

17. TONER SUPPLY UNIT (D010)



See Page 38

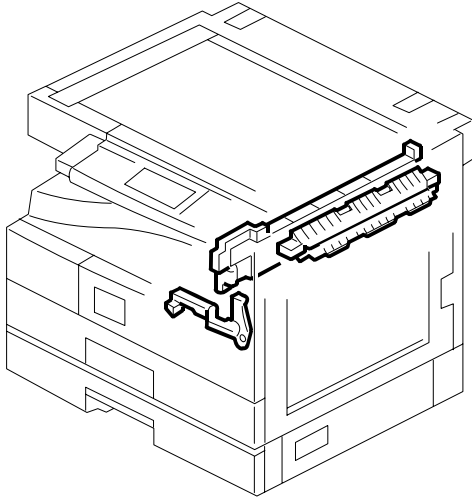
18. FUSING UNIT (D010)



See Page 40

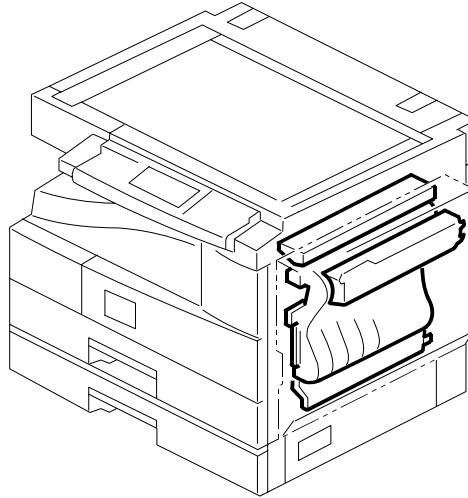
LOCATIONS OF UNITS

19. PAPER EXIT SECTION (D010)



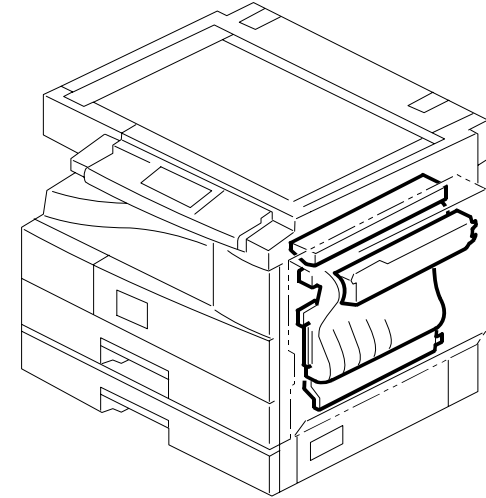
See Page 42

20. DUPLEX UNIT 1 (D010)



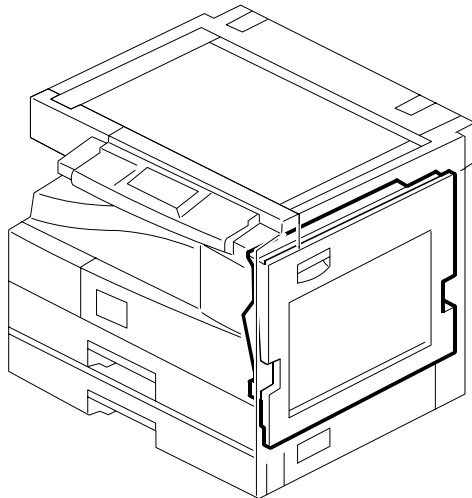
See Page 44

21. DUPLEX UNIT 2 (D010)



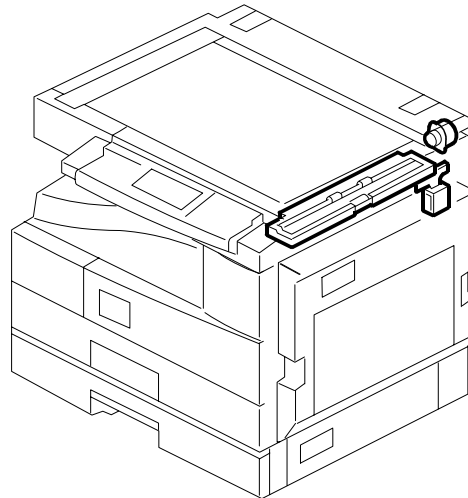
See Page 46

22. DUPLEX UNIT 3 (D010)



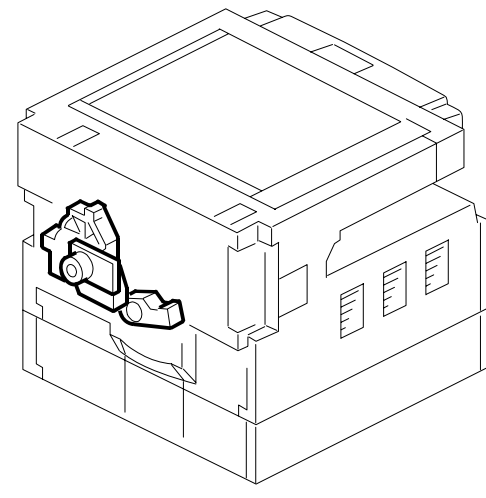
See Page 48

23. DRIVE SECTION 1 (D010)



See Page 50

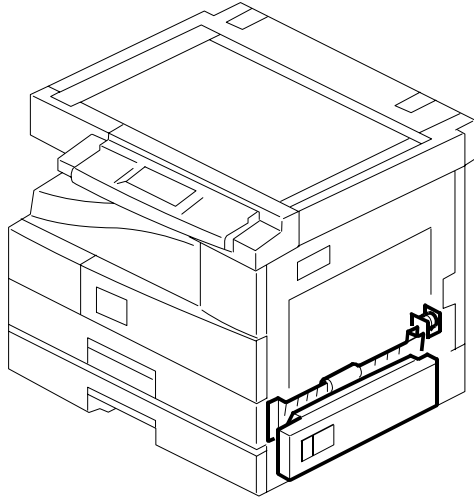
24. DRIVE SECTION 2 (D010)



See Page 52

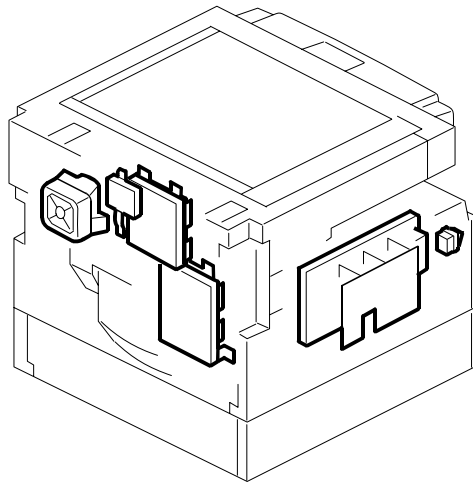
LOCATIONS OF UNITS

25. DRIVE SECTION 3 (D010)



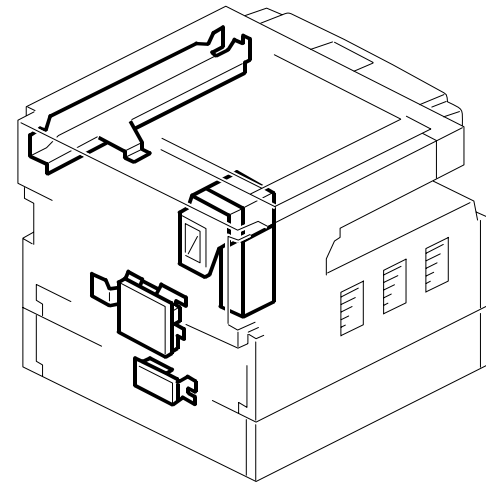
See Page 54

26. ELECTRICAL SECTION 1 (D010)



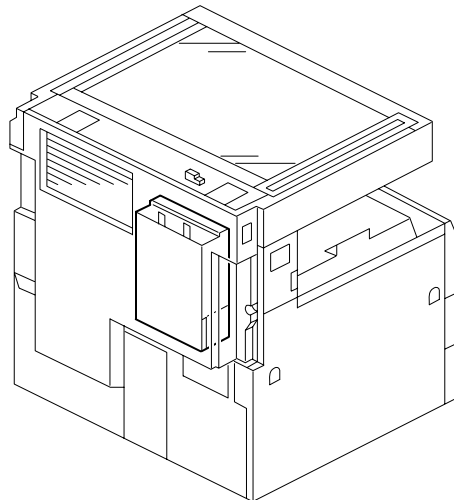
See Page 56

27. ELECTRICAL SECTION 2 (D010)



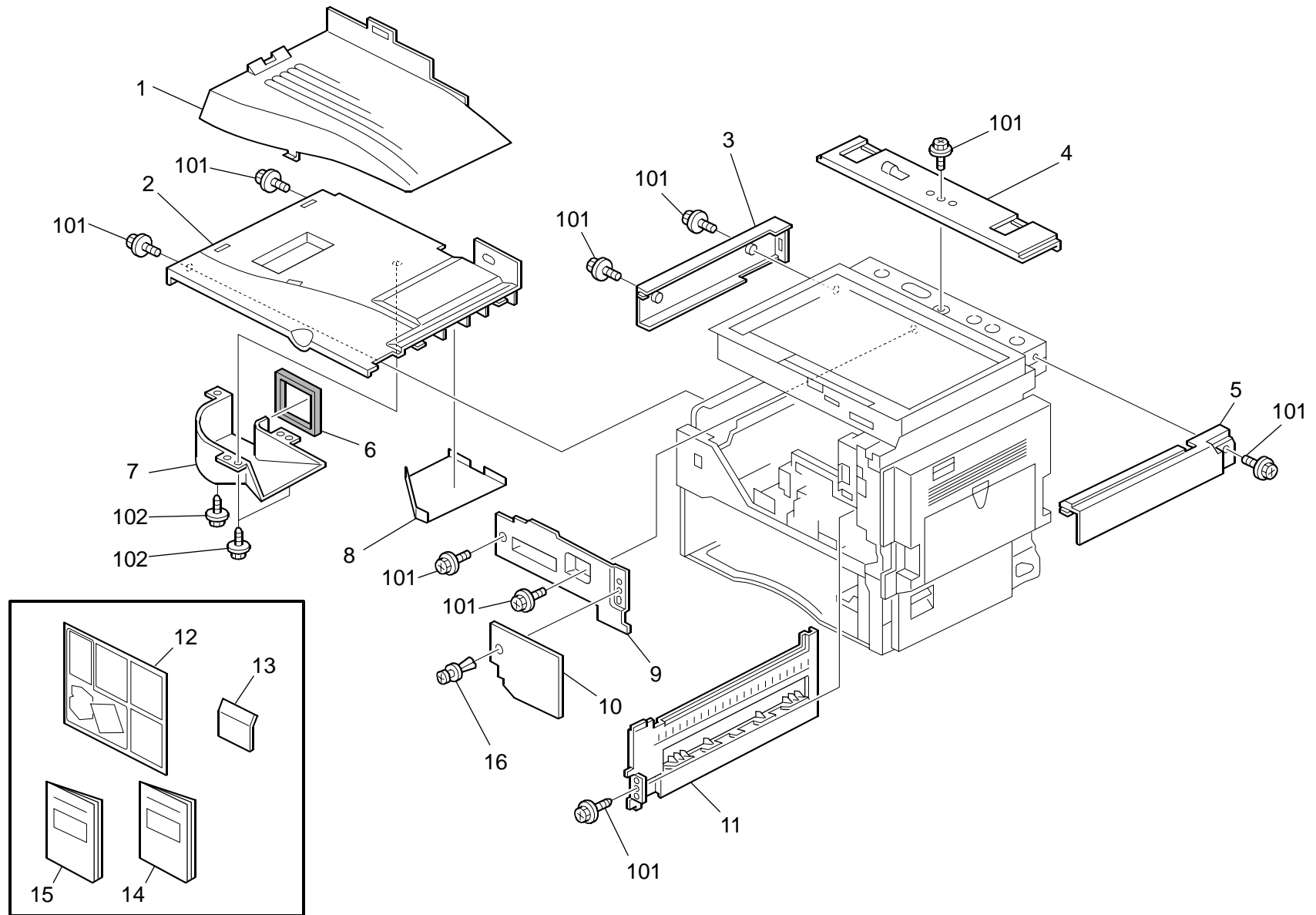
See Page 58

28. GDI UNIT (D010)



See Page 60

1.EXTERIOR 1 (D010)



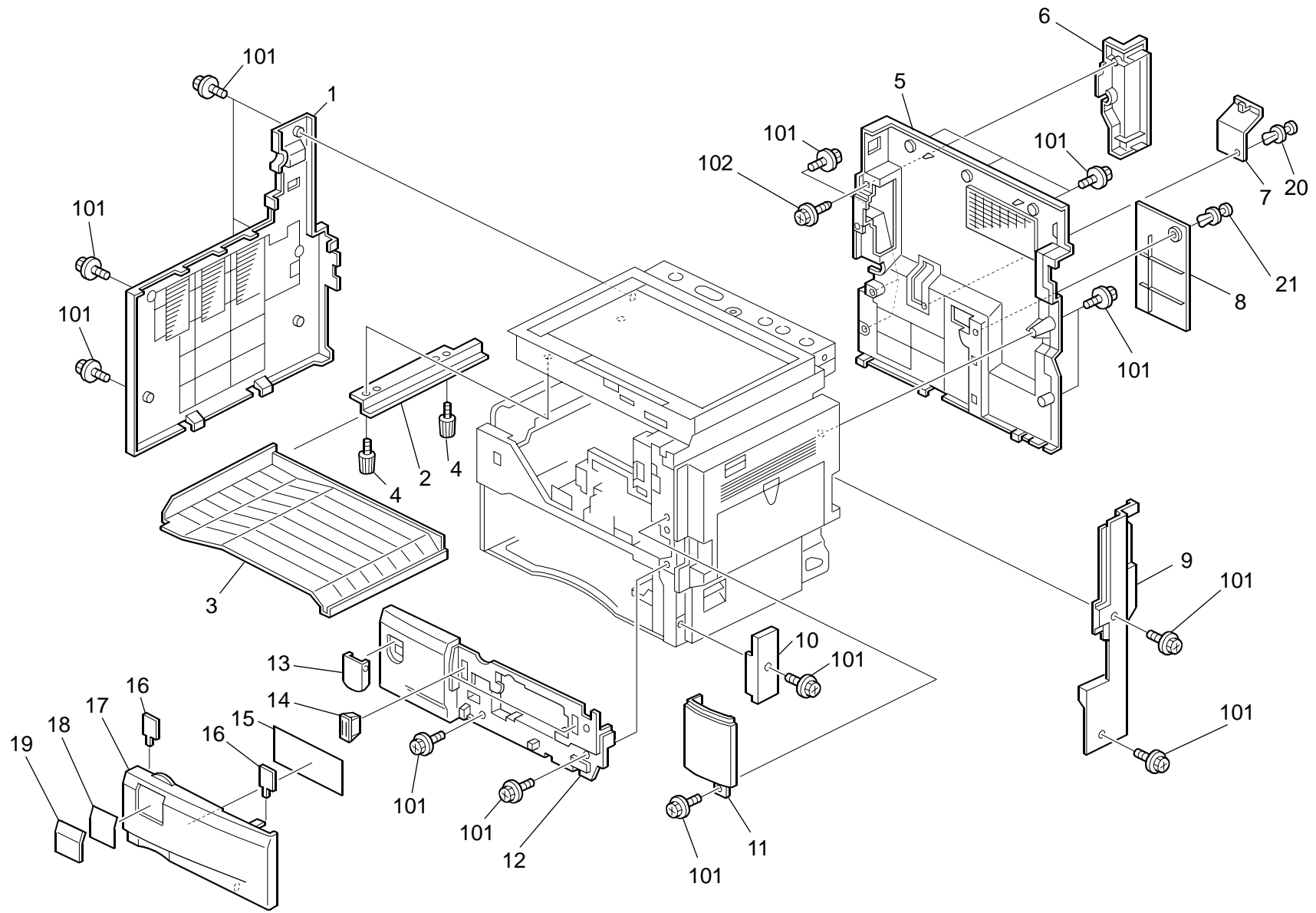
1.EXTERIOR 1 (D010)

Rev. 04/14/2009

Index No.	Part No.	Description	Q'ty Per Assembly
1	D010 1356	Exit Tray – NA [TSB#004R]	1
1	D010 1357	Tray: Exit: EU [TSB#004R]	1
2	D010 1354	Exit Cover - NA	1
2	D010 1353	Exit Cover - EU	1
3	D010 1332	Left Scanner Cover - NA	1
3	D010 1302	Left Scanner Cover - EU	1
4	B039 1303	Rear Scanner Cover (EU)	1
4	B276 1333	Cover: Scanner: Rear: NA	1
5	D010 1335	Right Scanner Cover NA	1
5	D010 1304	Right Scanner Cover - EU	1
6	D010 1109	Duct Seal - Exit	1
7	D010 1112	Duct Cover	1
8	D010 1107	Duct Seal - Guide	1
9	D010 1370	Rear Exit Cover - NA	1
9	D010 1369	Rear Exit Cover - EU	1
10	D010 1372	Sorter Cover - NA	1
10	D010 1371	Sorter Cover - EU	1
11	D010 1301	Fusing Exit Cover	1
12	A232 8561	Sheet: Accessory: Safety: EU: RAI	1
13	B132 1531	Panel: Logo	1
14	D010 6507	Operating Instructions - System NA	1
14	D010 6500	Operating Instructions - System EU	1
15	D010 6607	Operating Instructions - Copy NA	1
15	D010 6600	Operating Instructions - Copy EU	1
16	B039 1367	Rivet - M6	1

Index No.	Part No.	Description	Q'ty Per Assembly
101	0451 3008N	Tapping Screw - M3x8	
102	0450 3008N	Tapping Screw - M3x8	

2.EXTERIOR 2 (D010)



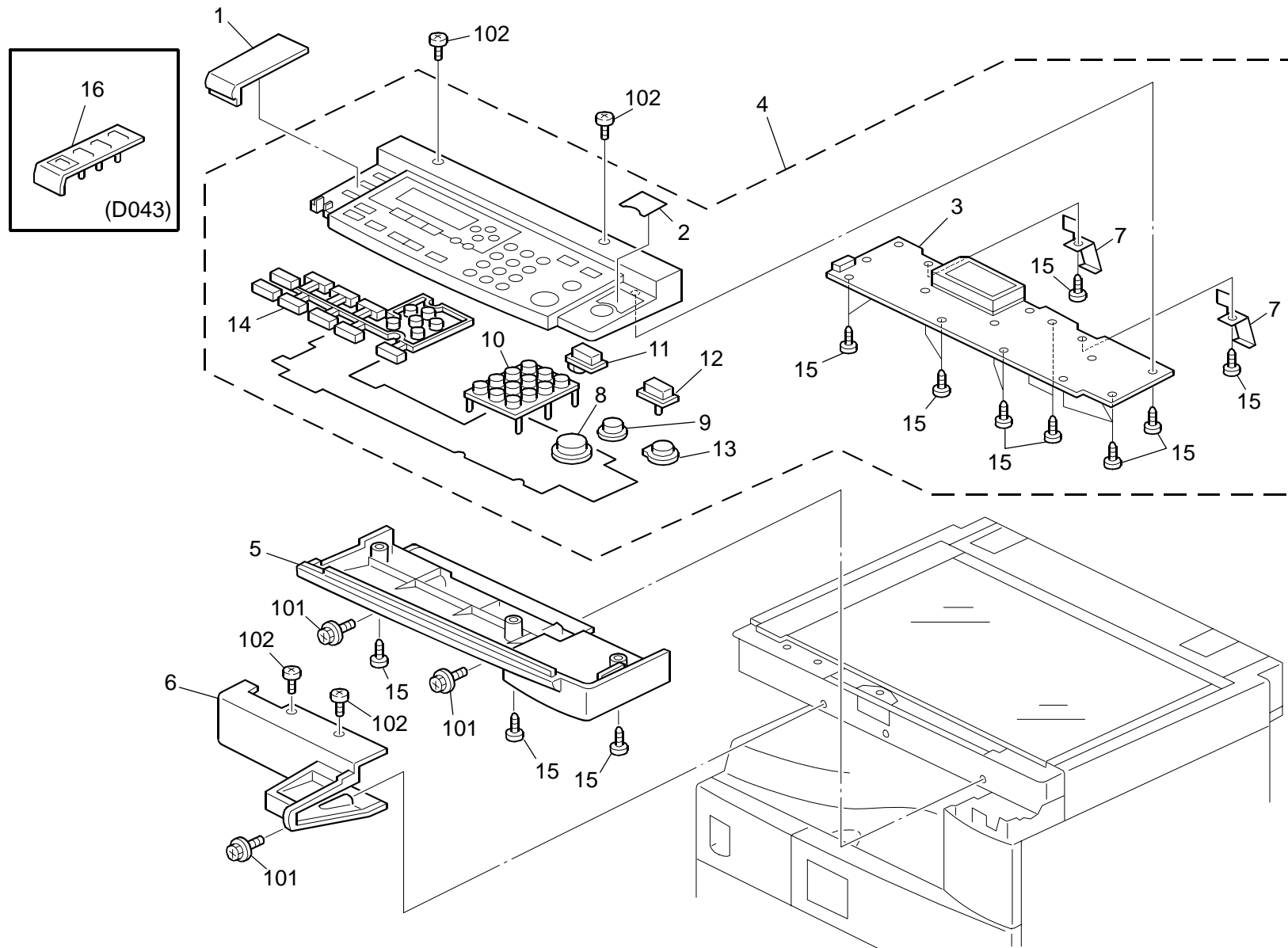
2.EXTERIOR 2 (D010)

Rev. 04/14/2009

Index No.	Part No.	Description	Q'ty Per Assembly
1	D010 1316	Left Cover - NA	1
1	D010 1315	Left Cover - EU	1
2	B043 4998	Rail - Reverser Shelf	1
3	D010 4993	Tray: Reverse [TSB#009] [TSB#009]	1
4	G104 5141	Knob Screw: M3	2
5	D010 1246	Rear Cover - NA	1
5	D010 1249	Rear Cover - EU	1
6	D010 1314	Cap - Application	1
7	D010 1313	Cap - IC Card	1
8	D010 1349	Cap - Paper Bank	1
9	D010 1347	Right Rear Cover - NA	1
9	D010 1346	Right Rear Cover - EU	1
10	D010 2731	Right Front Cover - 2nd Tray	1
11	D010 1310	Right Front Cover - Upper NA	1
11	D010 1309	Right Front Cover - Upper EU	1
12	D010 1350	Front Door - EU	1
12	D010 1351	Front Cover - NA	1
13	B039 1362	Main Switch Cover	1
14	B039 1366	Cover Magnet	2
15	B039 1365	Sheet: Operation Instructions	1
16	B039 1361	Magnet Catch	2
17	D010 1338	Front Door (NA)	1
17	D010 1308	Front Door - EU	1
18	D010 7410	Model Name Plate: D010: GES: AA	1
18	D010 7424	Model Name Plate: D010: LAN	1
18	D010 7427	Model Name Plate: D010: RIC	1
18	D010 7411	Model Name Plate: D010: SVN	1
18	D010 7412	Model Name Plate: D010: GES: NA	1
18	D010 7420	Model Name Plate: D010: GES	1
18	D010 7421	Model Name Plate: D010: NAS	1
18	D010 7422	Model Name Plate: D010: REX	1
18	D010 7426	Model Name Plate: D010: INF	1
19	B132 1531	Panel: Logo	1
20	B039 1367	Rivet - M6	1

Index No.	Part No.	Description	Q'ty Per Assembly
21	B039 1364	Rivet - M7	1
101	0451 3008N	Tapping Screw - M3x8	
102	0450 3008N	Tapping Screw - M3x8	

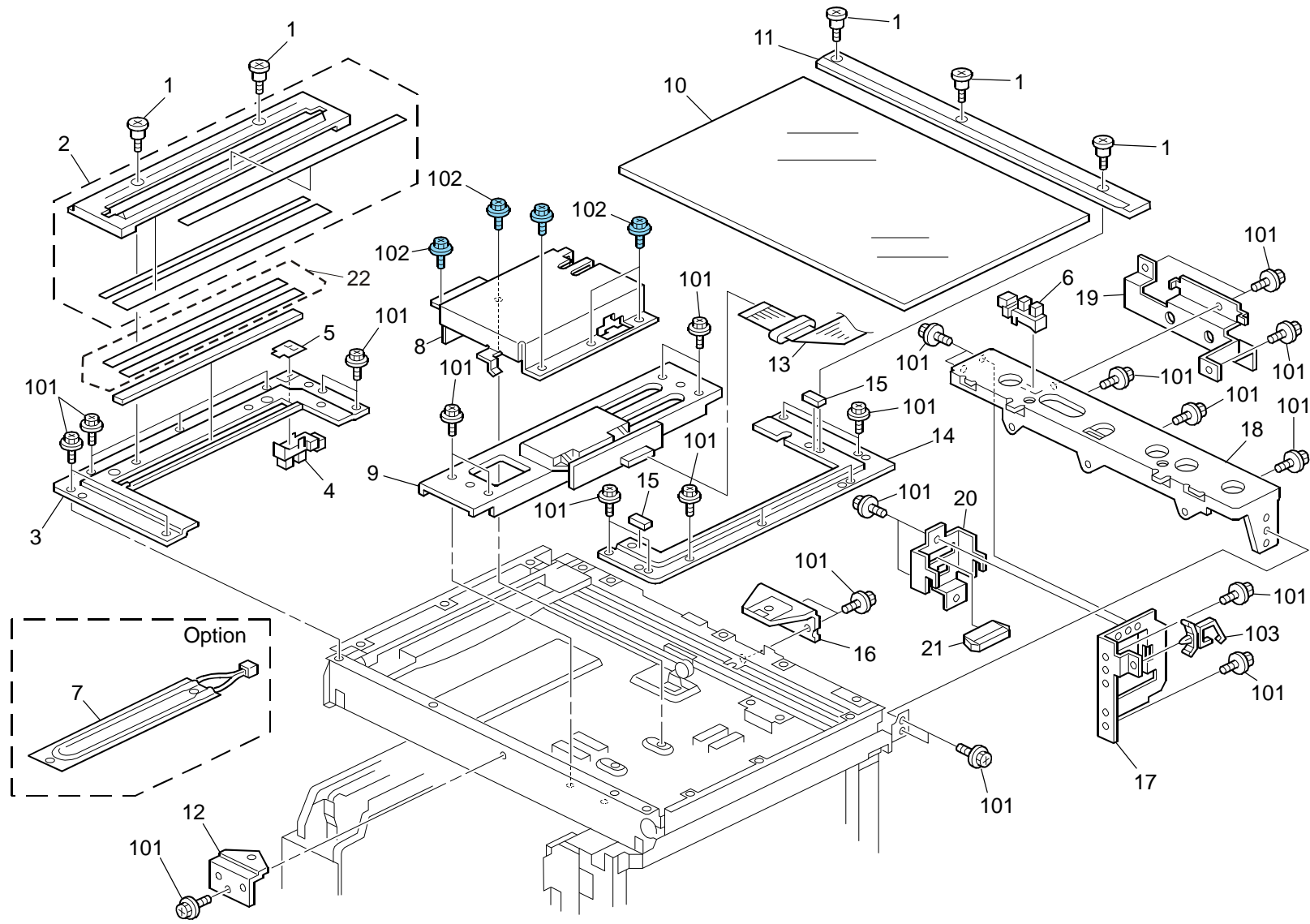
3. OPERATION PANEL (D010)



3.OPERATION PANEL (D010)

Index No.	Part No.	Description	Q'ty Per Assembly
1	B243 1461	Cover: Printer: Basic	1
2	B229 1521	Sheet: Power Source: NA	1
2	D010 1522	Sheet: Power Source: EU	1
3	B243 1487	PCB Operation Panel	1
4	B277 1411	Operation Panel Unit NA	1
4	D010 1412	Operation Panel - EU	1
5	B276 1452	Cover: Operation Sub-unit: Lower	1
6	B243 1425	Cover - Operation Panel	1
7	B039 1469	Ground Plate	2
8	B229 1453	Keytop - Start	1
9	B229 1454	Keytop - Clear/Stop	1
10	B229 1526	Keytop - 10key NA	1
10	B229 1475	Keytop - 10key (EU)	1
11	B229 1525	Keytop-Initial	1
12	B229 1537	Keytop - Clear Modes	1
13	B243 1458	Keytop - Power Source	1
14	B243 1459	Keytop - Cursor	1
15	B259 1499	Tapping Screw - M3x8	7
16	B243 1466	Cover - CPS NA	1

Index No.	Part No.	Description	Q'ty Per Assembly
101	0451 3008N	Tapping Screw - M3x8	
102	0353 0050N	Screw-m3x5	



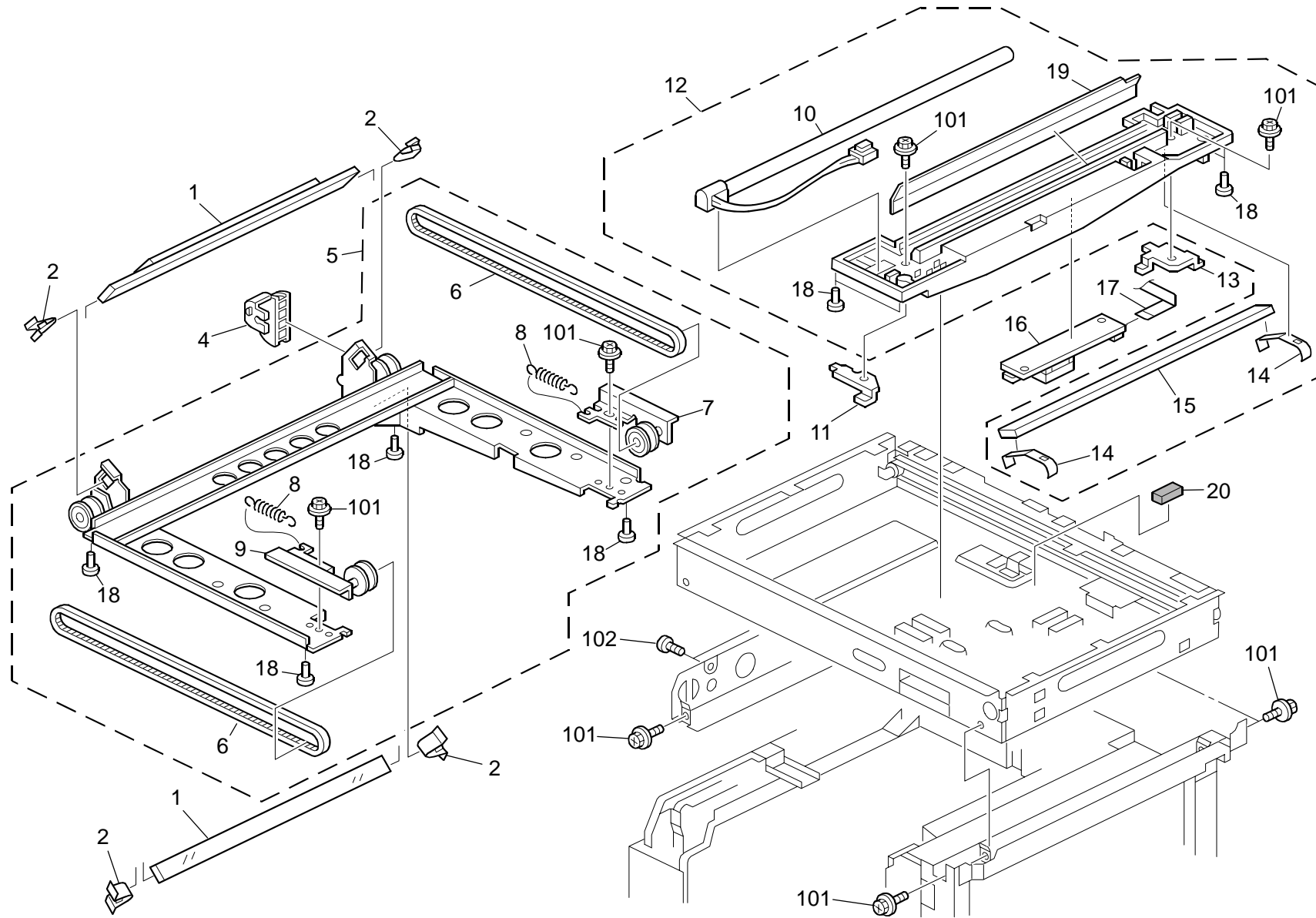
4.OPTICS SECTION 1 (D010)

Rev. 07/21/2010

Index No.	Part No.	Description	Q'ty Per Assembly
1	B390 1759	Shaft: Scale	5
2	B268 1749	Scale - Left	1
3	B039 1710	Left Scanner Bracket	1
4	AW02 0156	Photointerruptor: EE-SX4235A-P2	1
5	A193 1793	Scanner Home Sensor Stopper	1
6	GW02 0020	Photointerruptor: LG248NI1	2
7	D010 7009	Heater - 9W (120V)	1
7	D010 7019	Heater - 9W (230V)	1
8	D010 1808	Lens Unit Cover	1
9	D010 1812	Lens Unit	1
10	A250 1752	Exposure Glass	1
11	B268 1751	Scale - Inner Back	1
12	B039 1666	Bracket - Operation Panel	1
13	D010 1804	Harness - FFC	1
14	B039 1712	Right Scanner Bracket	1
15	5442 1924	Exposure Glass Cushion	2
16	B039 1658	Rear Scale Bracket	1
17	D010 1069	Support Bracket	1
18	B039 1068	ADF Bracket	1
19	B122 5821	Box Holder	1
20	D010 5861	Bracket: Connector: Joint Unit	1
21	D010 5207	Joint Unit Harness	1
22	B039 1826	Shield: Exposure Glass [TSB#011]	2

Index No.	Part No.	Description	Q'ty Per Assembly
101	0451 3006N	Tapping Screw - M3x6	
102	0454 3006Q	Tapping Screw With Washer - M3x6	
103	1105 0487	Harness Clamp	

5.OPTICS SECTION 2 (D010)



5.OPTICS SECTION 2 (D010)

Index No.	Part No.	Description	Q'ty Per Assembly
1	B039 1787	2nd Mirror	2
2	B039 1781	2nd Mirror Holder	4
3	B039 1785	Scanner Drive Pulley	4
4	B121 1782	Flexible Board Guide	1
5	B259 1768	Carriage No.2 Ass'y	1
6	B039 1784	Scanner Drive Belt	2
7	B259 1778	Idler Belt Pulley Bracket - Rear	1
8	B039 1790	Tension Spring	2
9	B259 1776	Idler Belt Pulley Bracket - Front	1
10	D010 1791	Xenon Lamp: Ass'y	1
11	B039 1758	Timing Belt Holder - Front	1
12	D010 1751	1st Scanner Unit	1
13	B039 1759	Timing Belt Holder - Rear	1
14	B121 1766	No.1 Mirror Clamp	2
15	B121 1762	No.1 Mirror	1
16	D010 1763	Xenon Lamp Stabilizer	1
17	D010 5223	Harness - Lamp Stabilizer	1
18	G570 2730	Slider - Scanner	8
20	B121 1816	Guide: Harness: Scanner	1
21	B121 5822	Guide Mylar	1

Index No.	Part No.	Description	Q'ty Per Assembly
101	0451 3006N	Tapping Screw - 3x6	
102	0451 3006N	Tapping Screw: 3X6	

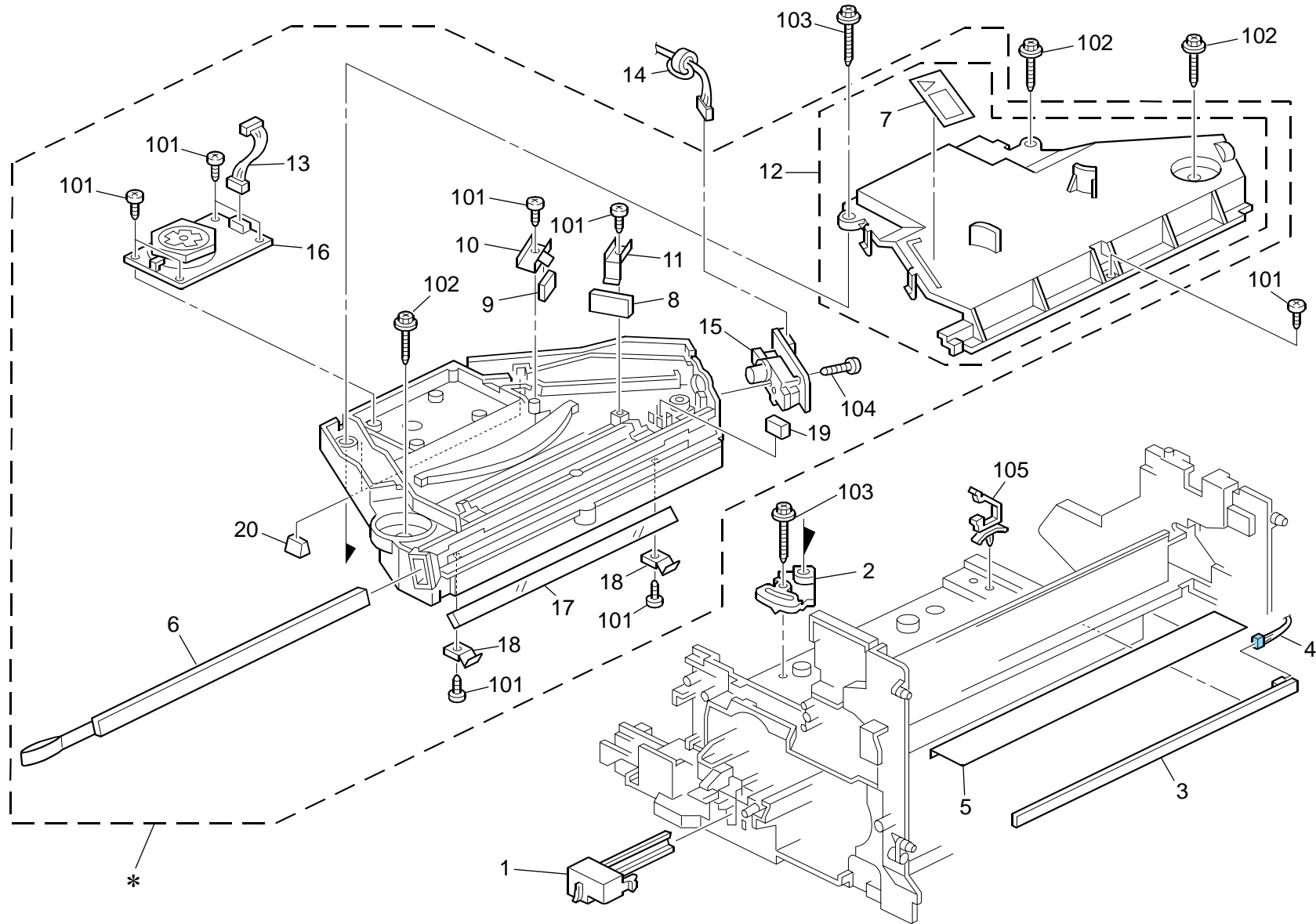
6.OPTICS SECTION 3 (D010)

Rev. 12/03/2009

Index No.	Part No.	Description	Q'ty Per Assembly
1	AW01 0126	Original Sensor: H=2-66	2
2	D010 5222	Scanner Harness	1
3	B039 1703	Pulley - 37Z	2
4	B039 1705	Bracket: Idler	2
5	B039 1704	Spring - Timing Pulley	2
6	B121 1667	Lens Stay Bracket	2
7	B039 1697	Timing Belt - 1058.25XL	2
8	B121 1696	Timing Belt L147	1
9	B039 1695	Flange - Pulley	1
10	B039 1694	Pulley - 37/41Z	1
11	B259 1691	Scanner Drive Shaft	1
12	B039 1692	Pulley - 37Z	1
13	B039 1668	Bracket - Stabilizer Harness	1
14	B121 1664	Bracket - Timing Belt	1
15	B039 1670	Scanner Drive Motor - DC3.6V 2.88W	1
16	B259 1702	Pulley Shaft	2
17	B039 1683	Tension Spring - Stepper Motor	1
18	B121 1680	Gear - 53Z/60Z	1
19	B039 1662	Front Scanner Frame	1
20	B039 1663	Rear Scanner Frame	1
21	D010 5822	Guide: FFC	1

Index No.	Part No.	Description	Q'ty Per Assembly
101	0451 3006N	Tapping Screw - 3x6	
102	0454 3006Q	Tapping Screw with Washer - M3x6	
103	1105 0511	Harness Clamp - LWS-0306ZC	
104	1105 0487	Harness Clamp	
105	0805 3530	Bearing 8x22x7	
106	0720 0060E	Retaining Ring - M6	
107	0360 3006N	Screw - M3X6	
108	0453 3006N	Tapping Screw - M3x6	

7.LASER UNIT (D010)



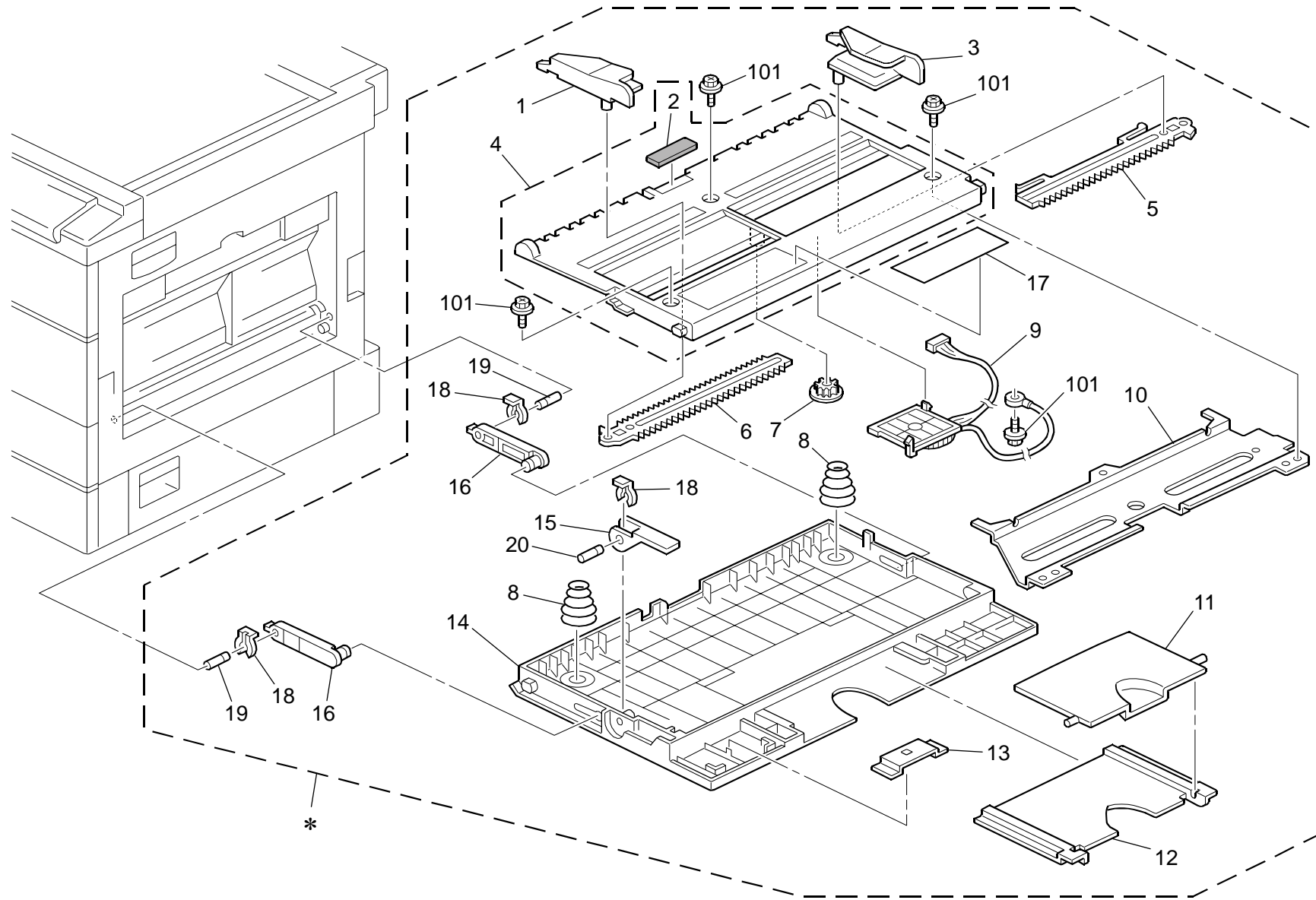
7.LASER UNIT (D010)

Rev. 12/02/2014

Index No.	Part No.	Description	Q'ty Per Assembly
*	D010 1876	Imaging Unit	1
1	B276 1251	Cover: Shield Glass	1
2	B039 1905	Adjusting Plate	1
3	D010 1080	Discharge Lamp	1
4	D010 5204	Discharge Lamp Harness	1
5	B039 1088	Sheet - Duct	1
6	B283 1961	Shield Glass	1
7	G029 1980	Decal - LD	1
8	AC03 0139	Sync Detector Mirror	1
9	AC02 4009	Cylindrical Lens	1
10	B039 1942	Cylindrical Lens Holder	1
11	B039 1954	Holder - Sync Detector Mirror	1
12	B039 1972	Cover: Optical Housing	1
13	D010 5239	Polygon Motor Harness	1
14	D010 5250	LDD Harness	1
15	D010 1916	Laser Diode Unit	1
16	D010 1931	Polygon Mirror Motor - DC 12w	1
17	GC02 5010	Lens: L2	1
18	B039 1953	2nd Mirror Holder	2
19	AC02 0095	Sync Detector Lenz	1
20	B121 1975	Rubber Bushing	2

Index No.	Part No.	Description	Q'ty Per Assembly
101	0452 3010N	Tapping Bind Screw - M3x10	
102	0450 3012N	Tapping Screw -3x12	
103	0450 3020N	Tapping Screw: M3x20	
104	0452 3014N	Tapping Screw - M3x14	
105	1105 0487	Clamp: LWS-0511Z	

8.BY-PASS FEED SECTION (D010)



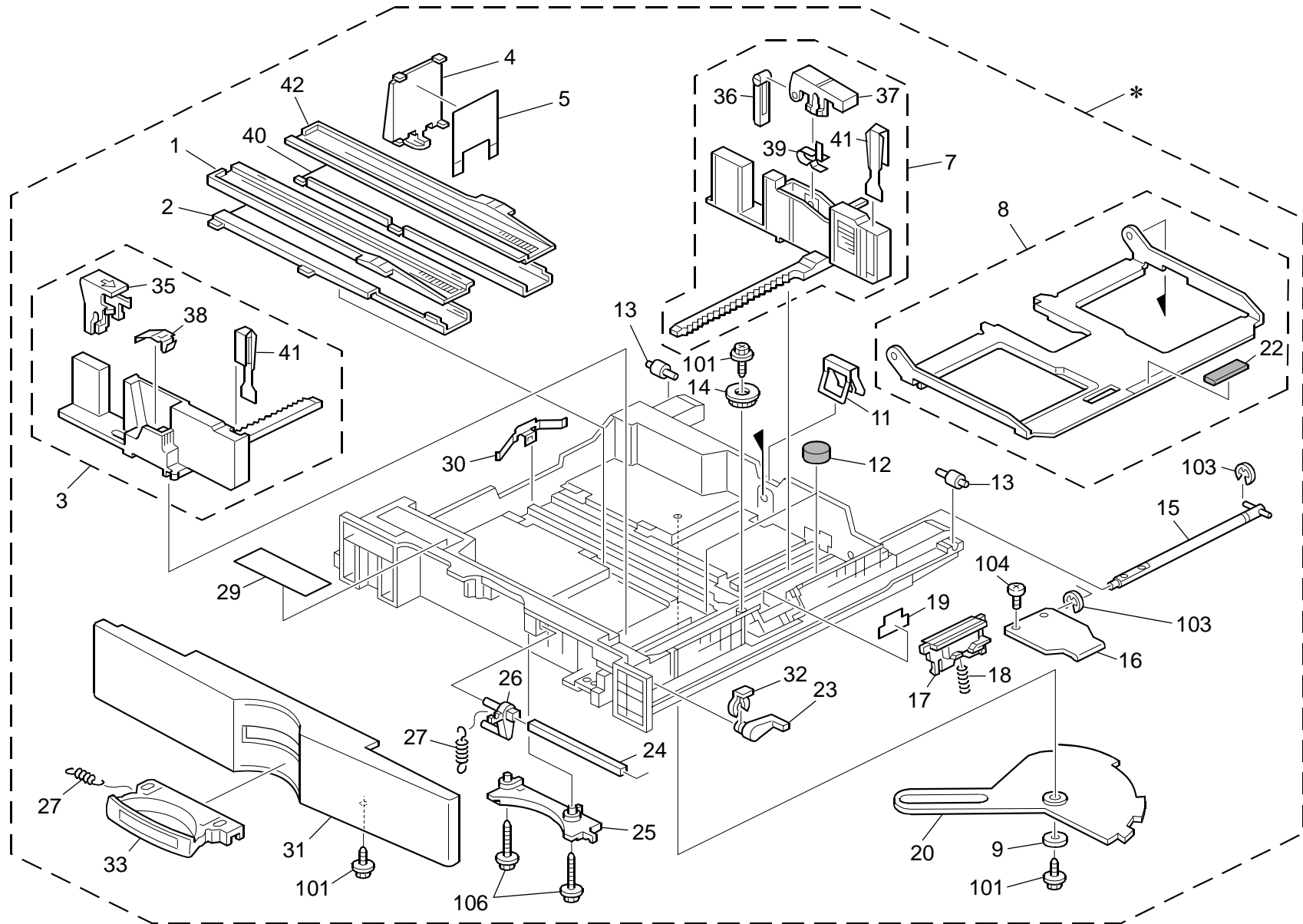
8.BY-PASS FEED SECTION (D010)

Rev. 03/04/2021

Index No.	Part No.	Description	Q'ty Per Assembly
*	D010 2602	Manual Feed Unit: Ass'y	1
1	B039 2631	Front Side Fence	1
2	D158 2629	Pad: Manual Feed	1
3	B039 2632	Rear Side Fence	1
4	B039 2630	Tray Bottom Plate	1
5	B039 2638	Rack - Rear Side Fence	1
6	B039 2637	Rack - Front Side Fence	1
7	G012 3050	Side Fence Gear	1
8	AA06 3643	Spring - By-Pass Feed Table	2
9	B039 2645	Rotary Switch	1
10	B039 2629	Stay - Tray Bottom Plate	1
11	B039 2620	Paper Guide - Extension	1
12	B039 2621	Paper Guide	1
13	B121 2617	Magnet Catch - By-Pass Feed	1
14	B039 2619	By-pass Feed Table	1
15	G020 2784	Lever - By-Pass Feed Table	1
16	B039 2643	Link - By-Pass Feed Table	2
17	B039 2633	Decal - By-Pass Feed	1
18	5447 2681	Snap Ring	3
19	B259 2642	Pin - Mm6	2
20	B259 2786	Lever Shaft	1

Index No.	Part No.	Description	Q'ty Per Assembly
101	0451 3008N	Tapping Screw - M3x8	

9.1st PAPER TRAY (D010)



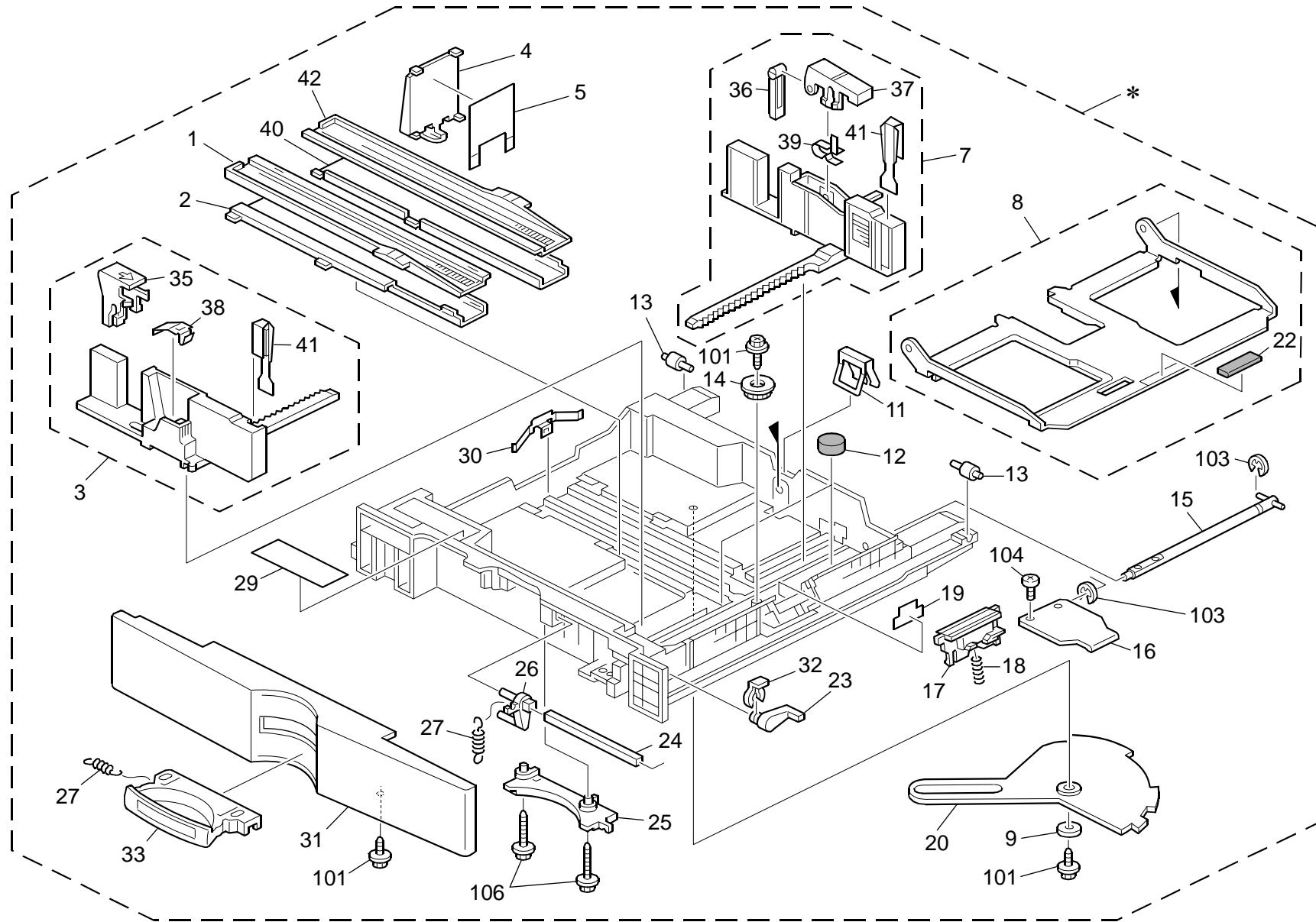
9.1st PAPER TRAY (D010)

Rev. 07/06/2017

Index No.	Part No.	Description	Q'ty Per Assembly
*	D010 2531	1st Paper Tray Unit	1
1	D010 2867	Font Slider - Upper	1
2	D010 2873	Front Slider - Base	1
3	D010 2884	Front Side Fence	1
4	D010 2853	End Fence	1
5	D010 2900	End Fence Seal	1
7	D010 2885	Rear Side Fence	1
8	D010 2861	Tray Bottom Plate	1
9	D010 2550	Spacer: Link	1
11	A267 2878	Spring Plate - Grounding	1
12	A267 2899	Sponge - Paper Feed Tray	2
13	B090 2987	Roller: Paper Tray	4
14	B090 2869	Gear - 16Z	1
15	D010 2854	Shaft - Tray Bottom Plate	1
16	D010 2856	Lift Bracket	1
17	D018 2831	Friction Pad	1
18	A267 2834	Pressure Spring - Friction Pad	1
19	B091 2898	Sheet: Holder: Paper Tray	1
20	D010 2870	Link - Paper Size Sensor	1
22	A267 2917	Base Pad	1
23	D010 2864	Release Lever - Paper Tray	1
24	D331 2951	Release Shaft - Paper Tray	1
25	D010 2955	Grip Holder - Paper Tray	1
26	D010 2953	Release Lever - Paper Tray	1
27	AA06 0900	Spring	1
29	D019 2892	Decal - Paper Set Direction	1
30	D010 2875	Spring Plate - Slider	1
31	D010 2958	Paper Tray Cover	1
32	A222 2724	External Circlip - Mm8	1
33	D010 2954	Paper Tray Grip	1
34	D010 2850	Paper Tray	1
35	B090 2858	Lever: Stopper: Front	1
36	B090 2859	Stopper: Positioning	1
37	B090 2860	Lever: Stopper: Positioning	1
38	G697 2677	Spring Plate - Side Fence	1

Index No.	Part No.	Description	Q'ty Per Assembly
39	A267 2857	Spring Plate - Side Fence	1
40	D010 2874	Rear Slider - Base	1
41	D010 2897	Side Fence Seal	2
42	D010 2866	Rears Slider - Upper	1
101	0450 4008N	Tapping Screw - M4x8	
102	0354 0060N	Screw-m4x6	
103	0720 0060E	Retaining Ring - M6	

10.2nd PAPER TRAY (D010)



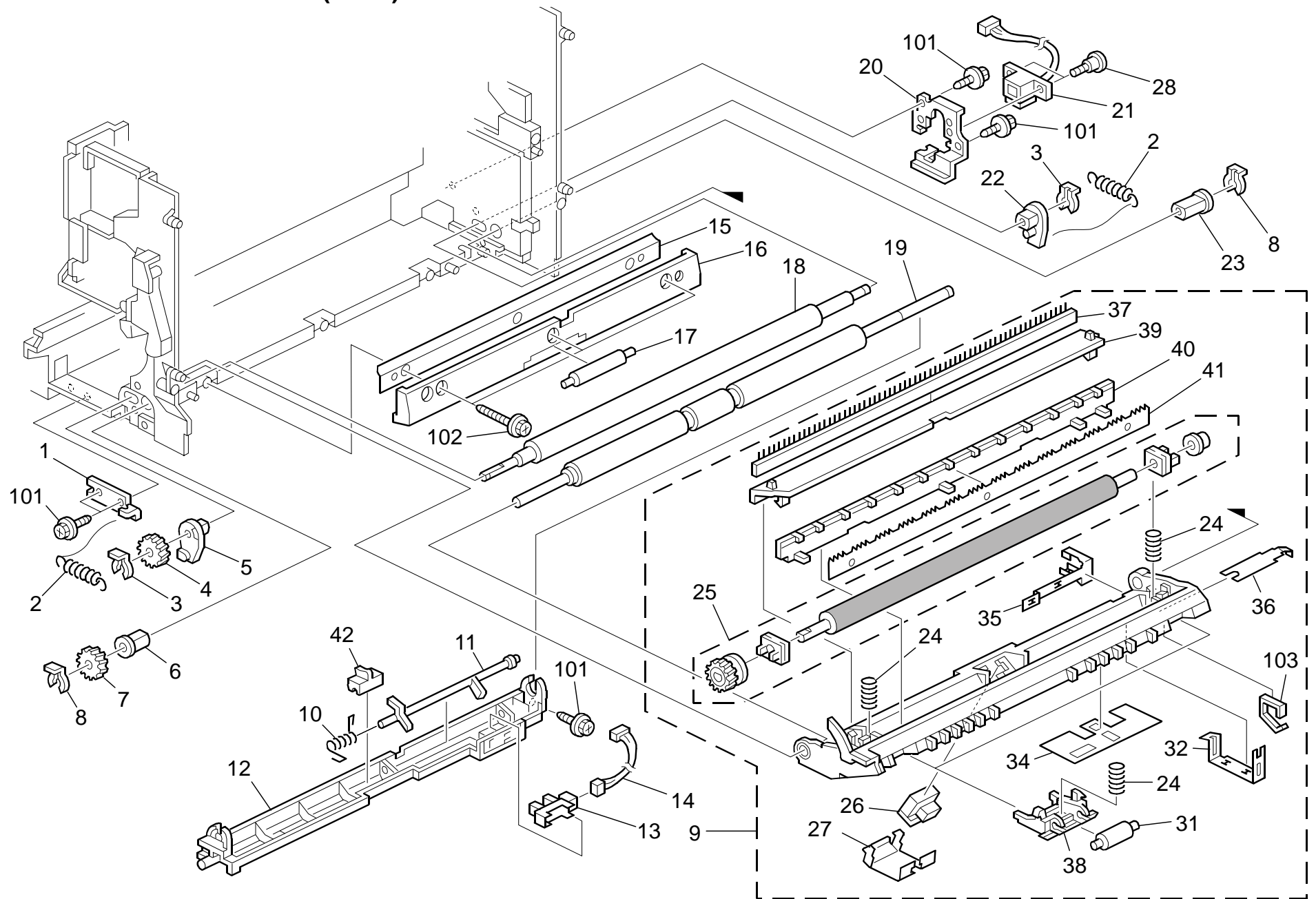
10.2nd PAPER TRAY (D010)

Rev. 07/06/2017

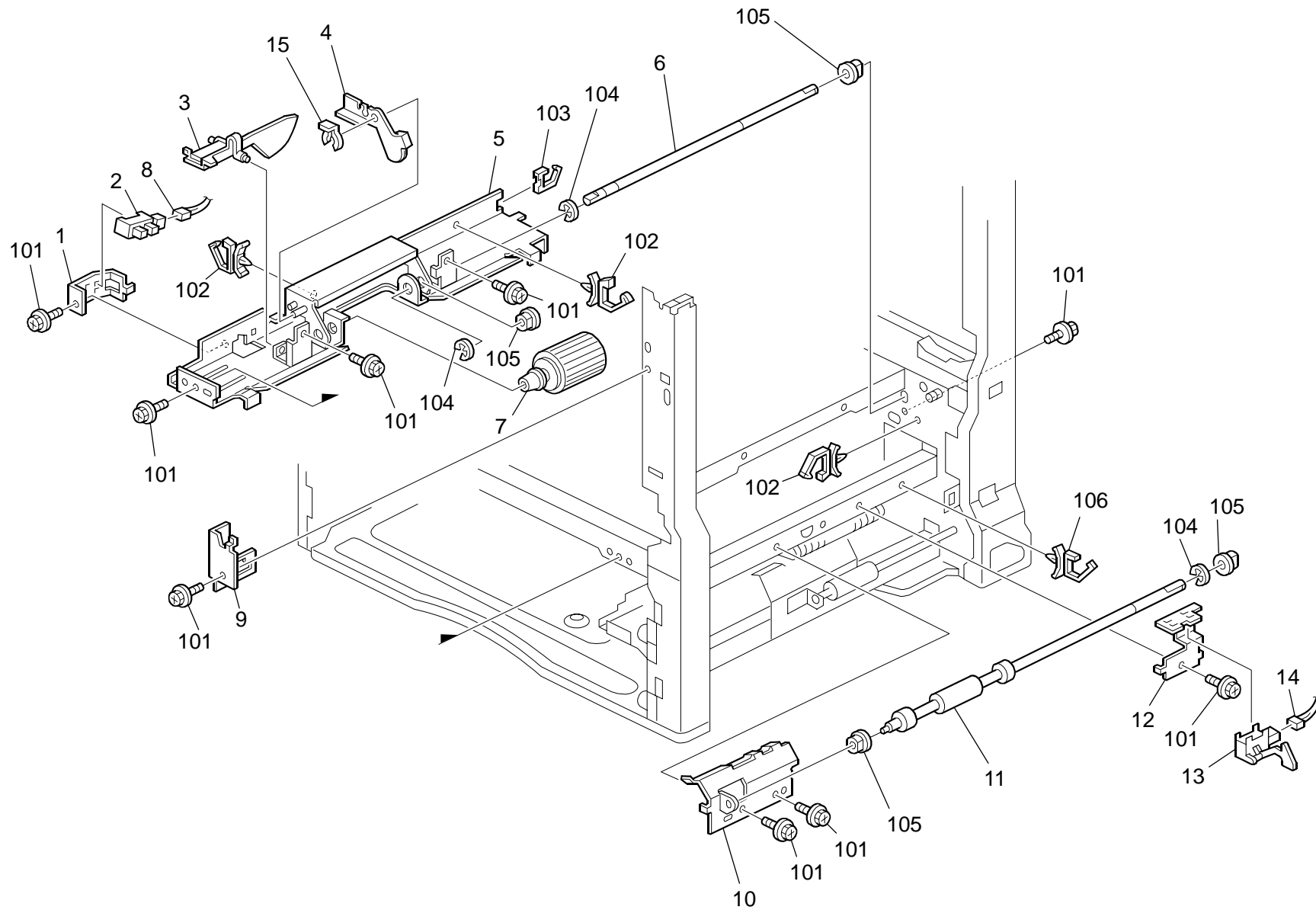
Index No.	Part No.	Description	Q'ty Per Assembly
*	D010 2532	Paper Tray: No.2: Ass'y	1
1	D010 2867	Font Slider - Upper	1
2	D010 2873	Front Slider - Base	1
3	D010 2884	Front Side Fence	1
4	D010 2853	End Fence	1
5	D010 2900	End Fence Seal	1
7	D010 2885	Rear Side Fence	1
8	D010 2861	Tray Bottom Plate	1
9	D010 2550	Spacer: Link	1
11	A267 2878	Spring Plate - Grounding	1
12	A267 2899	Sponge - Paper Feed Tray	2
13	B090 2987	Roller: Paper Tray	4
14	B090 2869	Gear - 16Z	1
15	D010 2854	Shaft - Tray Bottom Plate	1
16	D010 2856	Lift Bracket	1
17	D018 2831	Friction Pad: Adhesion	1
18	A267 2834	Pressure Spring - Friction Pad	1
19	B091 2898	Sheet: Holder: Paper Tray	1
20	D010 2870	Link - Paper Size Sensor	1
22	A267 2917	Base Pad	1
23	D010 2864	Release Lever - Paper Tray	1
24	D331 2951	Release Shaft - Paper Tray	1
25	D010 2955	Grip Holder - Paper Tray	1
26	D010 2953	Release Lever - Paper Tray	1
27	AA06 0900	Spring	1
29	D019 2892	Decal - Paper Set Direction	1
30	D010 2875	Spring Plate - Slider	1
31	D010 2958	Paper Tray Cover	1
32	A222 2724	External Circlip - Mm8	1
33	D010 2954	Paper Tray Grip	1
34	D010 2850	Paper Tray	1
35	B090 2858	Lever: Stopper: Front	1
36	B090 2859	Stopper: Positioning	1
37	B090 2860	Lever: Stopper: Positioning	1
38	G697 2677	Spring Plate - Side Fence	1

Index No.	Part No.	Description	Q'ty Per Assembly
39	A267 2857	Spring Plate - Side Fence	1
40	D010 2874	Rear Slider - Base	2
41	D010 2897	Side Fence Seal	1
42	D010 2866	Rears Slider - Upper	1
101	0450 4008N	Tapping Screw - M4x8	
102	0354 0060N	Screw-m4x6	
103	0720 0060E	Retaining Ring - M6	

11.PAPER REGISTRATION (D010)



12.1ST PAPER FEED SECTION (D010)



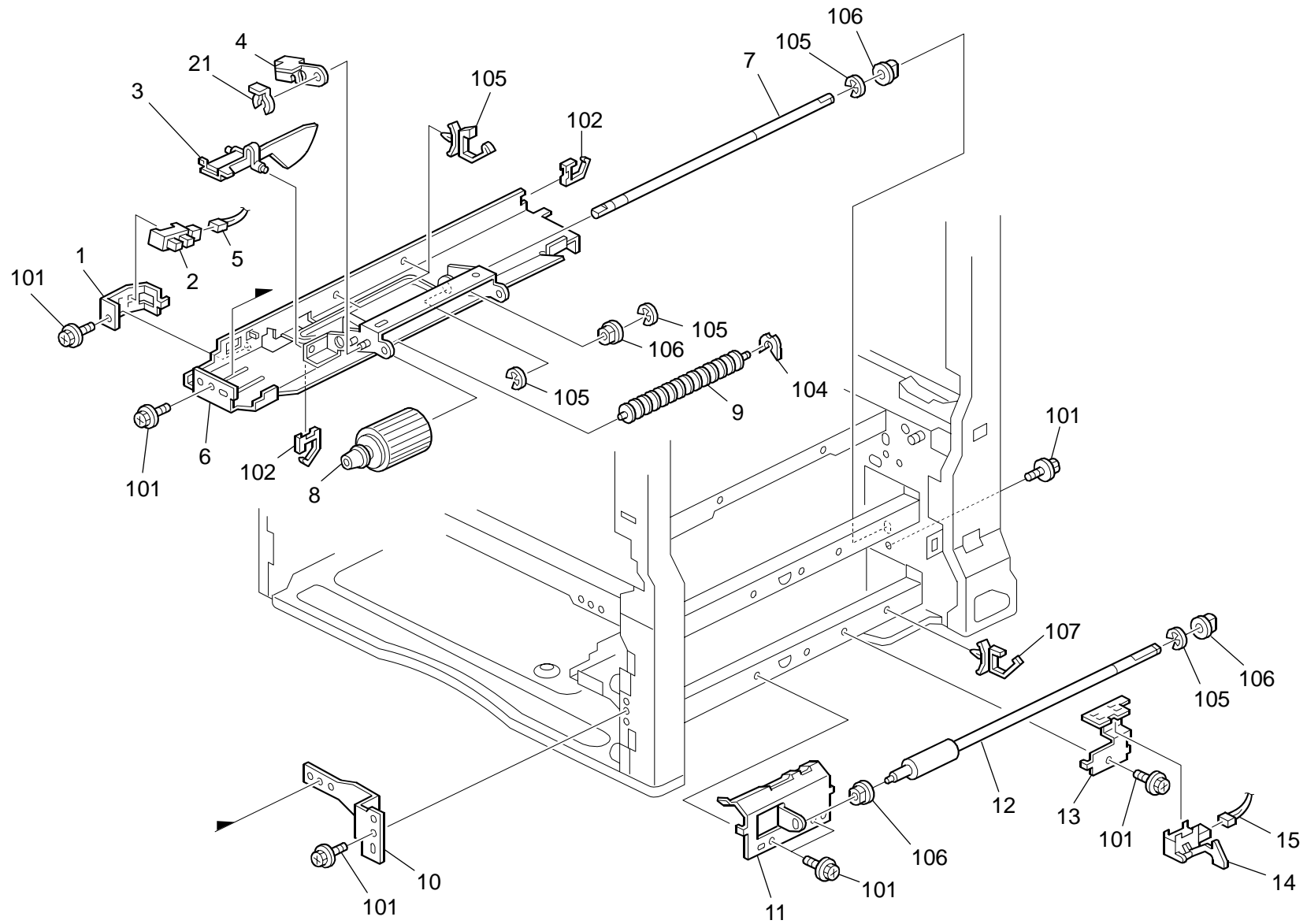
12.1ST PAPER FEED SECTION (D010)

Rev. 08/26/2014

Index No.	Part No.	Description	Q'ty Per Assembly
1	B090 2805	Bracket: Paper End Sensor	1
2	AW02 0141	Photointerruptor	1
3	A267 2803	Feeler - Paper End Sensor	1
4	D010 2807	Shaft Holder	1
5	D010 2800	Guide Plate - Paper Feed Roller 1	1
6	D010 2754	Shaft - Paper Feed Roller	1
7	A267 2751	Paper Feed Roller	1
8	D010 5216	Relay Harness - Paper End Sensor	1
9	B121 4201	Front Heater Bracket	1
10	D010 2828	Guide Plate: Pressure Release : Friction Pad: Upper	1
11	D010 2682	Drive Roller - Vertical Transport	1
12	D010 2663	Bracket - Photointerruptor	1
13	AW02 0173	Photointerruptor: Vertical Transport	1
14	D010 5216	Relay Harness - Paper End Sensor	1
15	5206 2686	Snap Ring	1
16	AA08 0252	Bushing - M4	1

Index No.	Part No.	Description	Q'ty Per Assembly
101	0451 3006N	Tapping Screw - 3x6	
102	1105 0511	Harness Clamp - LWS-0306ZC	
103	1105 0522	Edge Saddle - Les0510	
104	0720 0060E	Retaining Ring - M6	

13.2ND PAPER FEED SECTION 1 (D010)



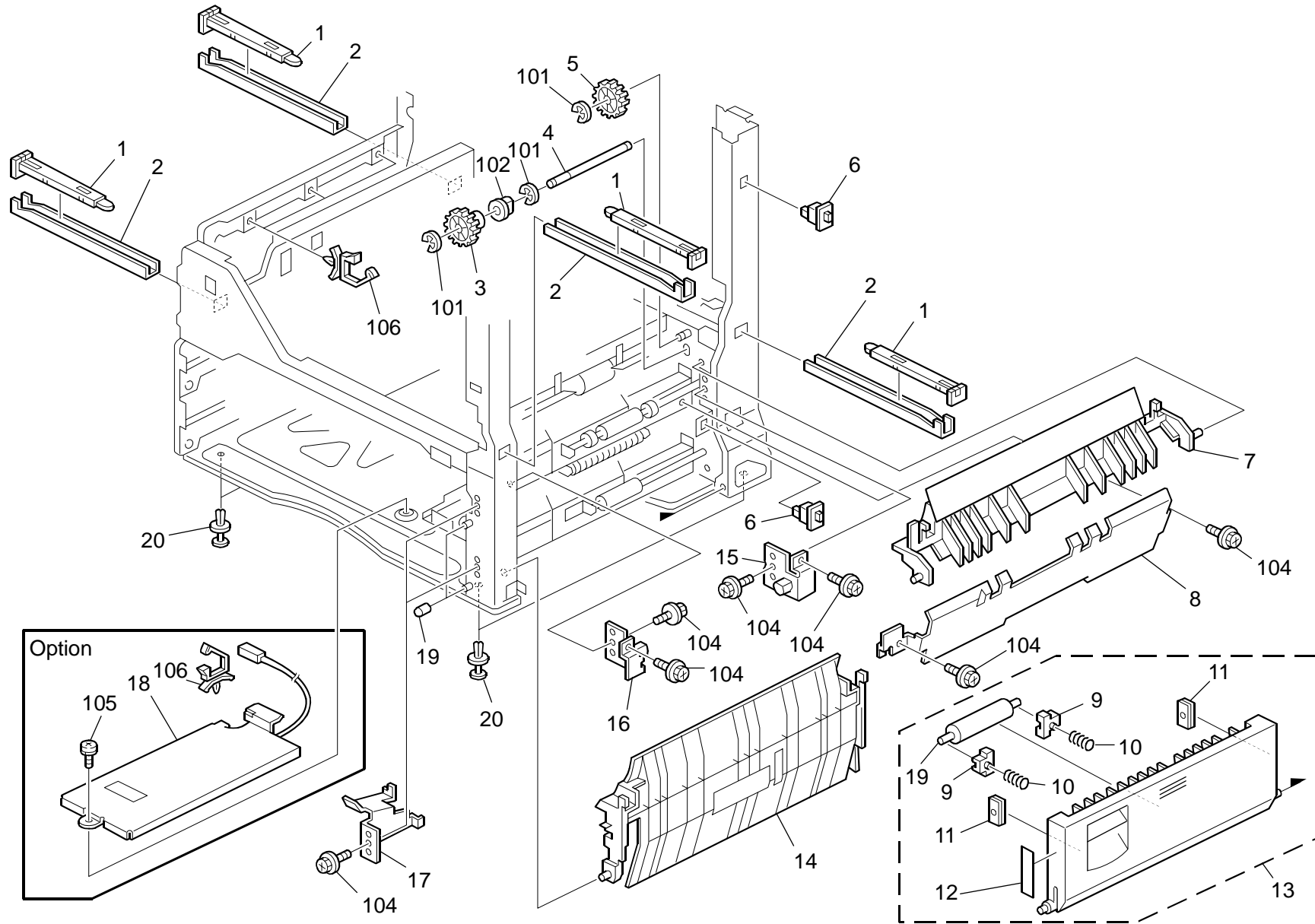
13.2ND PAPER FEED SECTION 1 (D010)

Rev. 08/26/2014

Index No.	Part No.	Description	Q'ty Per Assembly
1	B090 2805	Bracket: Paper End Sensor	1
2	AW02 0141	Photointerruptor	1
3	A267 2803	Feeler - Paper End Sensor	1
4	B093 2935	Stopper Paper Feed Roller	1
5	D010 5216	Relay Harness - Paper End Sensor	1
6	D010 2808	Guide Plate - Paper Feed Roller 2	1
7	A267 2754	Shaft - Paper Feed Roller	1
8	A267 2751	Paper Feed Roller	1
9	D010 2565	Guide Roller	1
10	D010 2587	Bracket: Guide Plate: No.2	1
11	D010 2828	Guide Plate: Pressure Release : Friction Pad: Upper	1
12	B090 2668	Drive Roller - Vertical Transport	1
13	D010 2660	Bracket - Photointerruptor	1
14	AW02 0173	Photointerruptor: Vertical Transport	1
15	D010 5216	Relay Harness - Paper End Sensor	1
21	5206 2686	Snap Ring	1
22	AA08 0252	Bushing - M4	1

Index No.	Part No.	Description	Q'ty Per Assembly
101	0451 3006N	Tapping Screw - 3x6	
102	1105 0522	Clamp: LES-1010	
103	1105 0511	Harness Clamp - LWS-0306ZC	
104	0805 0092	Retaining Ring - 3m	
105	0720 0040E	Retaining Ring - M4	
106	0805 3480	Bushing - 6mm	
107	1105 0501	Harness Clamp: RLMC-05TV0	

14.2ND PAPER FEED SECTION 2 (D010)



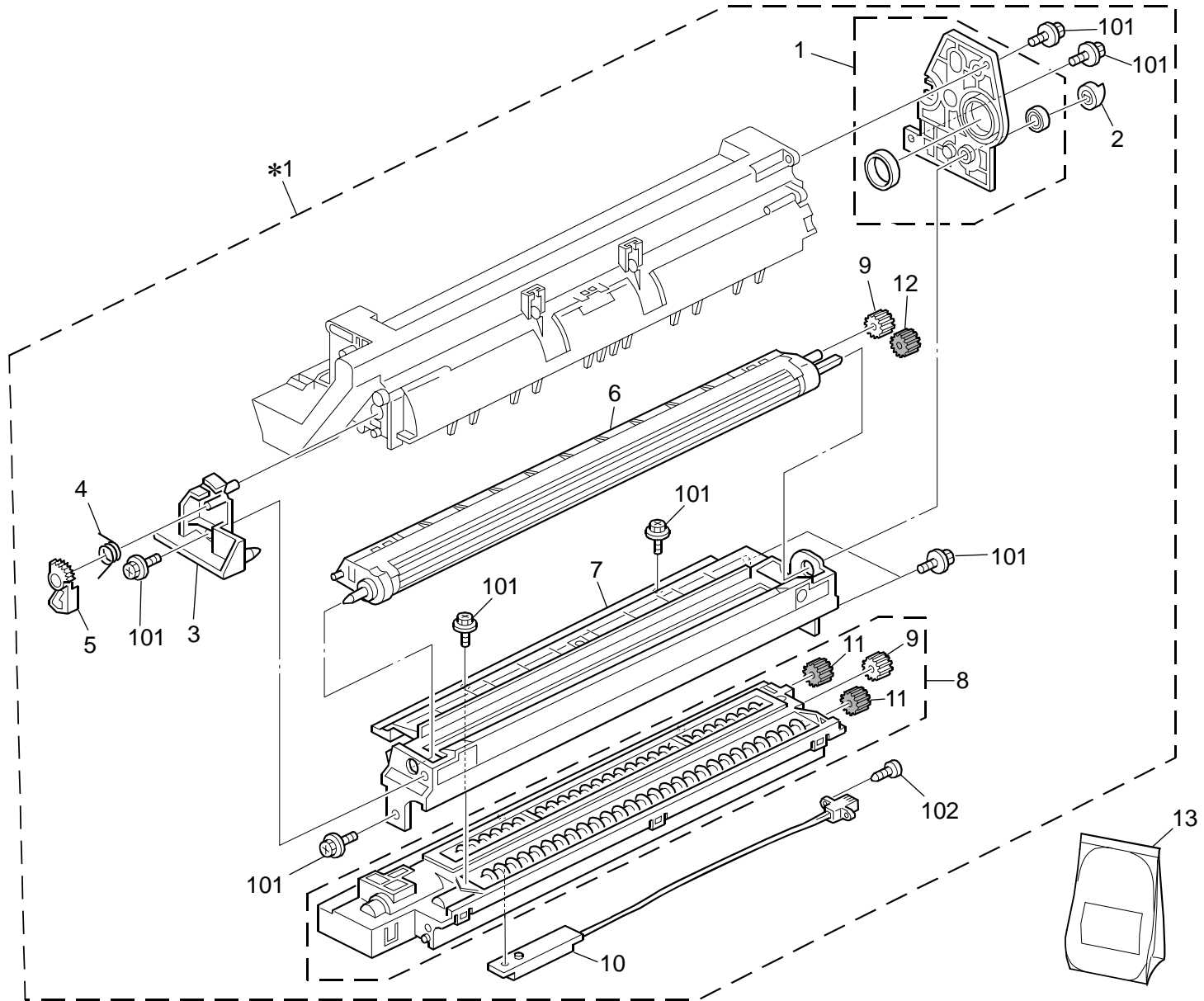
14.2ND PAPER FEED SECTION 2 (D010)

Rev. 12/08/2009

Index No.	Part No.	Description	Q'ty Per Assembly
1	D010 1089	Grip Cover	4
2	B276 1072	Grip	4
3	D010 1192	Gear - 23Z	1
4	D010 1198	Drive Shaft- Manual Feed	1
5	D010 1194	Gear - 23Z	1
6	G020 5626	Push Switch	2
7	D010 2586	Guide Plate: Paper Feed: Exit	1
8	D010 2733	Upper Guide Plate - Entrance	1
9	AA08 0249	Bushing - Vertical Transport	2
10	B091 2739	Compression Spring - 10n	2
11	AG07 0514	Magnet Catch	1
12	B024 2737	Decal - Vertical Transport Cover	1
13	D010 2728	Cover - Vertical Transport	1
14	D010 2746	Lower Guide Plate - Entrance	1
15	D010 1058	Shaft: Door: Right Rear: Ass'y	1
16	B259 1053	Door Shaft - Right Front	1
17	D010 2632	Stopper: Right	1
18	D010 7350	Tray Heater Ass'y(120V)	1
18	D010 7351	Tray Heater Ass'y(230V)	1
19	B090 2742	Roller: Pull Out: Option Tray	1
20	AH01 0009	Rubber Foot: H5	4

Index No.	Part No.	Description	Q'ty Per Assembly
101	0720 0040E	Retaining Ring - M4	
102	0805 3480	Bushing - 6mm	
104	0451 3006N	Tapping Screw - 3x6	
105	0950 3006N	Screw: Spring Washer: M3X6	
106	1105 0488	Harness Clamp	

15.PCU 1 (D010)



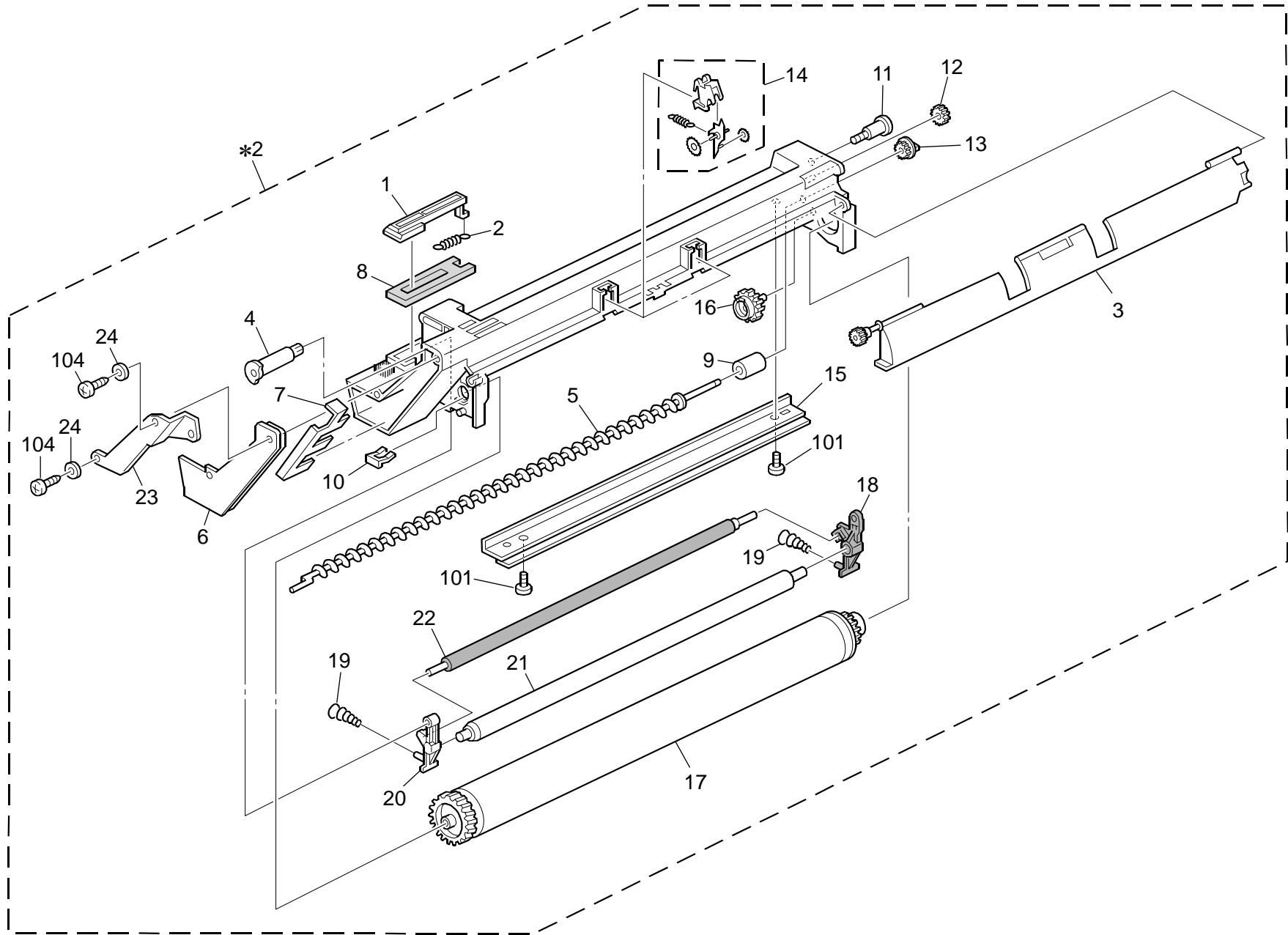
15.PCU 1 (D010)

Rev. 10/22/2010

Index No.	Part No.	Description	Q'ty Per Assembly
*1*2	B259 2210	PCU - Ass'y	1
1	B259 2371	Rear Drum Stay	1
2	A267 3440	Development Joint	1
3	B039 2361	Front Side Plate - Drum	1
4	B039 2367	Drum Shutter Spring	1
5	B039 2362	Drum Shutter Gear	1
6	B259 3051	Development Roller Ass'y	1
7	B039 3159	Case: Development: Roller: Ass'y	1
8	B259 3170	Development Case Ass'y	1
9	B039 3062	Idler Gear - 16z	2
10	B259 3390	Density Sensor: K-C2.5: Ass'y	1
11	B039 3245	Gear - 15Z	2
12	B039 3060	Development Roller Gear	1
13	B121 9640	Developer Type 28 Black	1
13	B121 9645	Developer Type 28 Black - NA EU	1

Index No.	Part No.	Description	Q'ty Per Assembly
101	0360 3006N	Screw - M3X6	
102	0452 3008N	Tapping Screw - M3x8	

16.PCU 2 (D010)

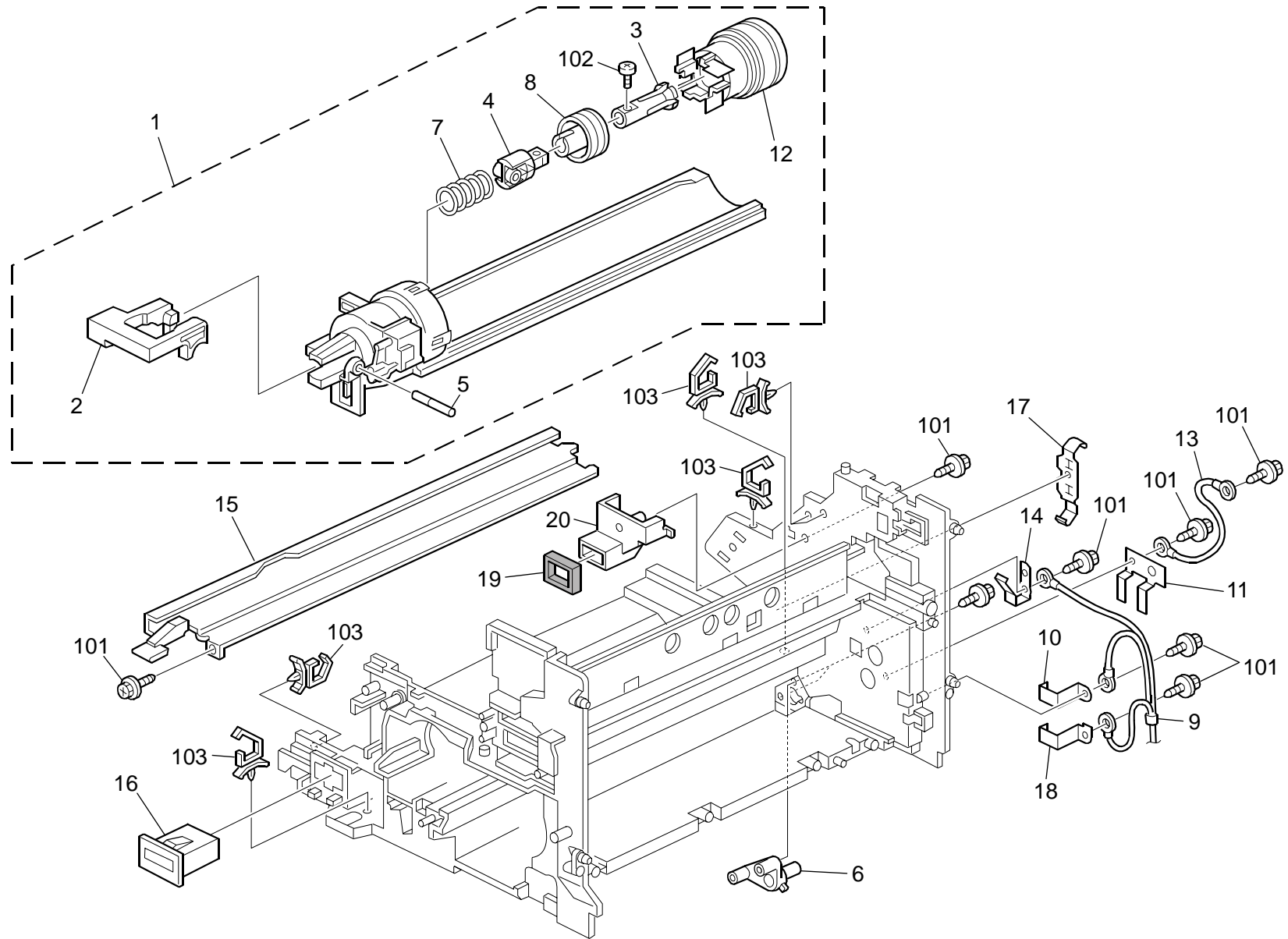


16.PCU 2 (D010)

Index No.	Part No.	Description	Q'ty Per Assembly
*1*2	B259 2210	PCU - Ass'y	1
1	B121 2311	PCU Toner Supply Shutter	1
2	B039 2312	Shutter Spring	1
3	B039 2343	Drum Shutter	1
4	B039 2293	Pin - Front Pressure Arm	1
5	B039 2272	Recycled Toner Coil	1
6	B039 2321	Front PCU Cover	1
7	B039 2274	Recycled Toner Plate	1
8	B121 2313	Toner Supply Seal	1
9	B039 2276	Rear Bushing - Toner Coil	1
10	B039 2350	Drum Holder	1
11	AA14 3444	Stepped Screw	1
12	AB01 1403	Gear - 13Z	1
13	AB01 1402	Gear - 14Z	1
14	B039 2335	Pickoff Pawl	2
15	AD04 2059	Cleaning Blade Ass'y	1
16	B039 2288	Cam - Cleaning Blade	1
17	B039 9510	OPC Drum	1
18	B039 2295	Rear Pressure Arm - Charge Roller	1
19	B039 2287	Charge Roller Spring	2
20	B039 2292	Front Pressure Arm - Charge Roller	1
21	AD02 7018	Roller: Charge: A3	1
22	AD04 2058	Charge Cleaner Brush Roller	1
23	B259 2325	OPC Drum Shutter Plate	1
24	B039 2329	Spacer - M3	1

Index No.	Part No.	Description	Q'ty Per Assembly
101	0451 3006N	Tapping Screw - 3x6	
102	0452 3008N	Tapping Screw - M3x8	
103	0736 0610	Bushing 6x10	
104	0452 3012N	Binding Self-tapping Screw: M3x12	

17.TONER SUPPLY UNIT (D010)



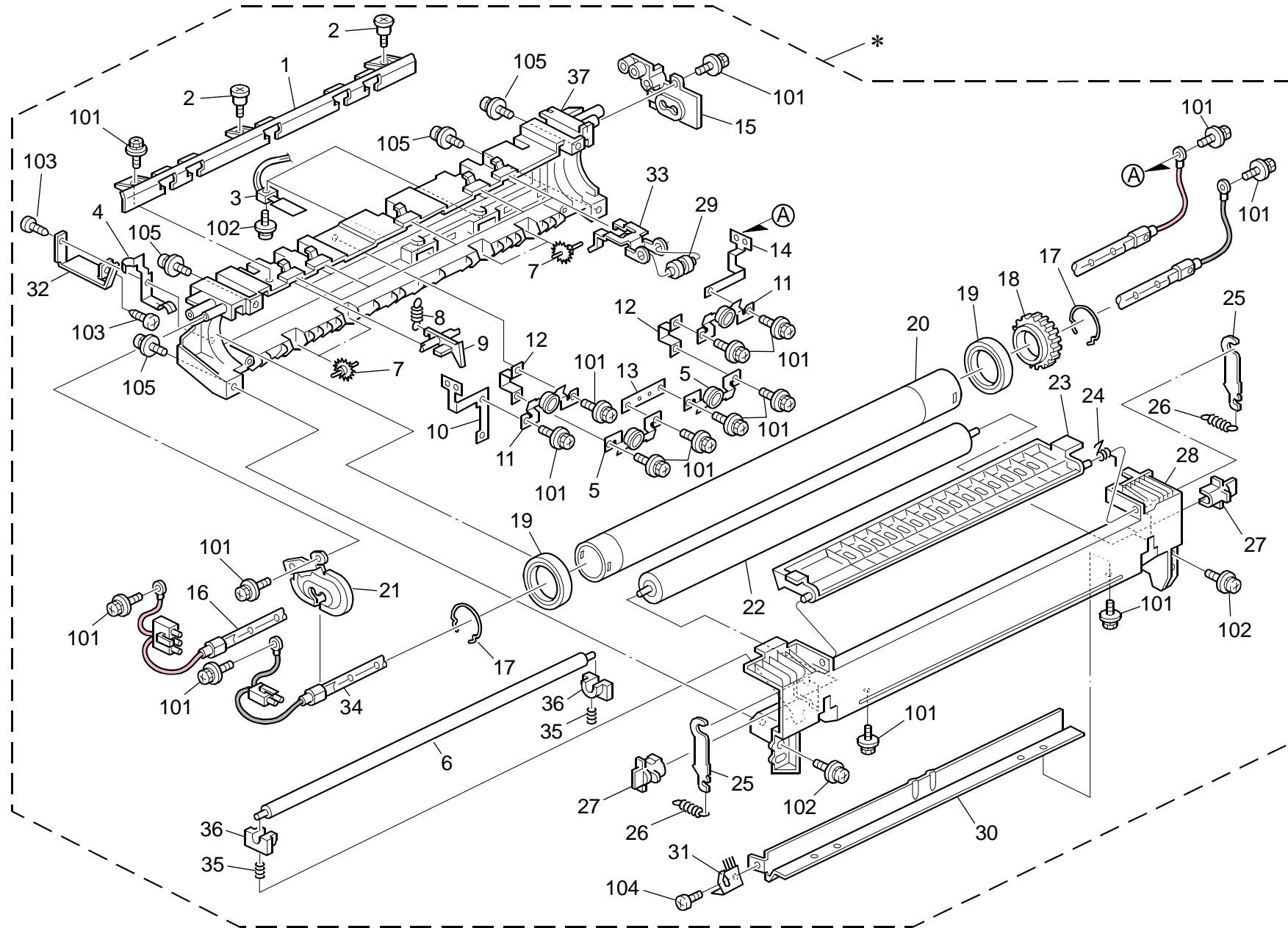
17.TONER SUPPLY UNIT (D010)

Rev. 12/7/2012

Index No.	Part No.	Description	Q'ty Per Assembly
1	B259 3031	Toner Supply Unit	1
2	B039 3360	Cam - Handle	1
3	A184 3420	Bottle Chuck	1
4	A184 3421	Chuck Shaft	1
5	B259 3422	Shaft: Slide	1
6	B039 1141	Shaft - Paper Feed Frame	1
7	A267 3556	Chuck Spring - Toner Bottle	1
8	G020 3334	Slider Ass'y	1
9	D010 5232	High Voltage Cable	1
10	B039 3870	Terminal - Transfer	1
11	B039 2578	Grounding Plate	1
12	B039 3381	Cover: Toner Bottle: Ass'y	1
13	D010 5219	Ground Wire	1
14	B039 2382	Quenching Lamp Terminal	1
15	B039 3392	Guide Plate - Toner Supply Unit	1
16	AX31 0050	Total Counter: 7fig: 24v	1
17	B039 3395	Ground Plate - Toner Supply Unit	1
18	D010 3871	Terminal - Separation	1
19	D010 1108	Duct Seal - Sub	1
20	D010 1113	Sub Duct	1

Index No.	Part No.	Description	Q'ty Per Assembly
101	0450 3008N	Tapping Screw - M3x8	
102	0452 3008N	Tapping Screw - M3x8	
103	1105 0487	Harness Clamp	

18.FUSING UNIT (D010)



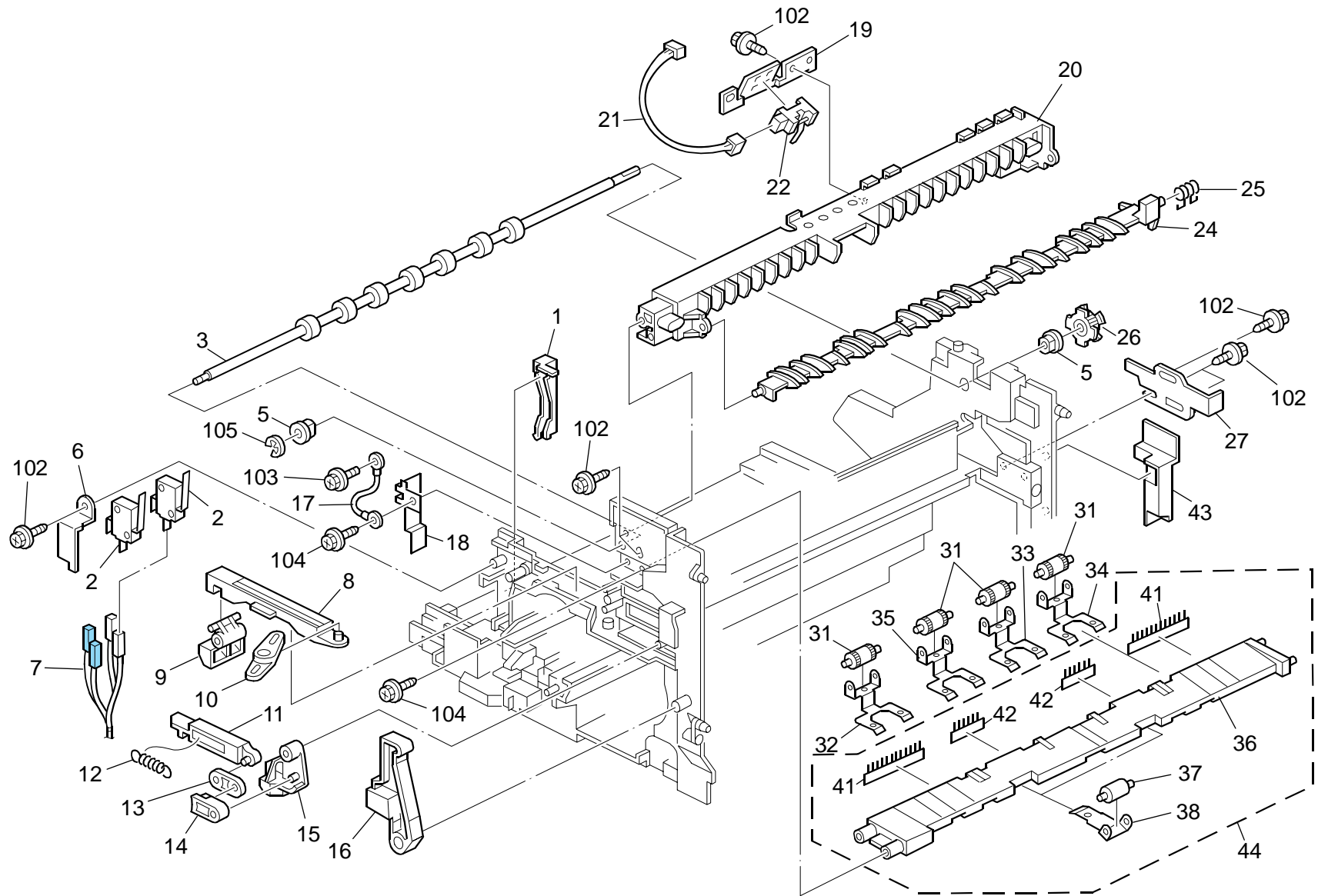
18.FUSING UNIT (D010)

Rev. 05/08/2019

Index No.	Part No.	Description	Q'ty Per Assembly
*	D010 4011	Fusing Unit - 115v	1
*	D010 4012	Fusing Unit - 230v	1
1	B039 4102	Fusing Exit Guide	1
2	AA14 3870	Stepped Screw	2
3	AW10 0073	Thermistor [TSB#007]	2
4	B039 4118	Front Ground Plate	1
5	D010 4120	Thermostat: Ass'y	2
6	B259 4015	Fusing Cleaning Roller	1
7	A232 2374	Spur	4
8	AA06 6637	Stripper Pawl Spring	5
9	AE04 4062	Stripper Pawls	5
10	B121 4111	Front Electrode Plate	1
11	D010 4220	Thermostat 176 Degree: Ass'y	2
12	B121 4113	Short Electrode Plate	2
13	B121 4112	Long Electrode Plate	1
14	B121 4114	Rear Electrode Plate	1
15	D010 4091	Holder: Heater: Rear	1
16	D010 4105	Heater - 120v,600w	1
16	D010 4107	Heater - 230v, 600w	1
17	G029 4140	External Circlip	2
18	B039 4171	Gear - 41Z	1
19	G052 4618	Bearing 30x42x7	2
20	AE01 1113	Hot Roller MM30	1
21	B121 4090	Front Heater Holder	1
22	D010 4081	Pressure Roller: Dia30	1
23	D010 4072	Fusing Exit Guide	1
24	AA06 6635	Spring - Fusing Exit Guide	1
25	B039 4135	Pressure Roller Lever	2
26	D010 4070	Pressure Spring	2
27	G029 4174	Pressure Roller Bushing	2
28	D010 4053	Fusing Unit Frame	1
29	D010 4170	Roller: Stripper Pawls	5
30	B259 4115	Fusing Entrance Guide Plate	1
31	B039 4117	Discharge Brush	1
32	B039 4114	Rear Ground Plate	1

Index No.	Part No.	Description	Q'ty Per Assembly
33	B039 4168	Stripper Pawls stopper	5
34	D010 4106	Heater - 120v,650w	1
34	D010 4108	Heater - 230v,650w	1
35	AA06 3570	Tension Spring	2
36	D010 4073	Bushing - Fusing Cleaning Roller	2
37	B259 4103	Frame: Fusing	1
101	0804 6123	Hexagonal Bolt: W/Washer: M3x8	
102	0954 3010N	Screw: Polished Round/Spring: M3x10	
103	0452 3008N	Tapping Screw - M3x8	
104	0313 0060N	Screw - M3X6	
105	0954 3010N	Screw: Polished Round/Spring: M3x10	

19.PAPER EXIT SECTION (D010)



19.PAPER EXIT SECTION (D010)

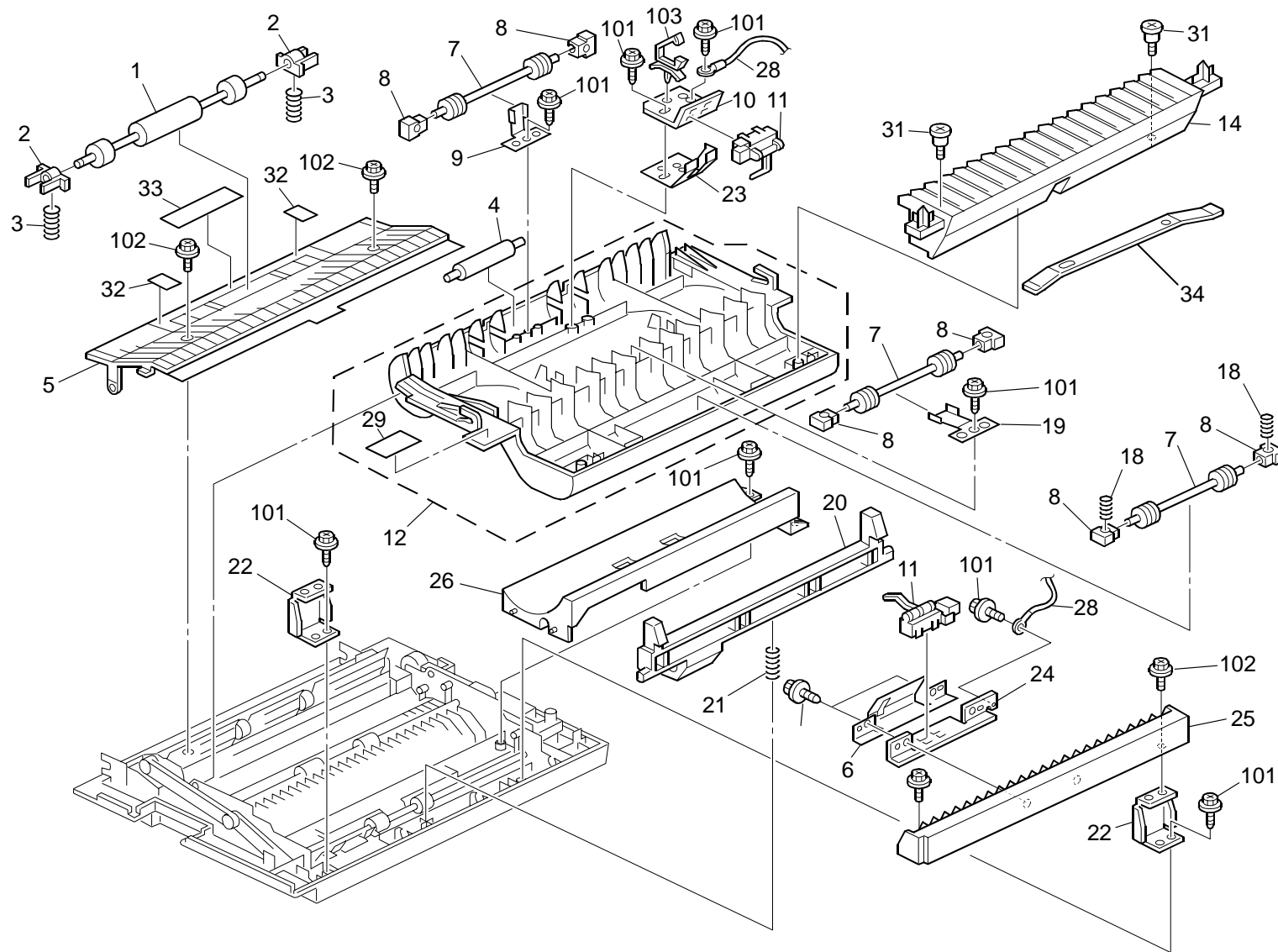
Rev. 02/04/2020

Index No.	Part No.	Description	Q'ty Per Assembly
1	B121 1084	Heater Wire Cover	1
2	B268 1085	Switch: LF-105-11	2
3	B259 4471	Exit Roller 2	1
4	B039 4473	Ring: Exit Roller	6
5	AA08 2170	Plain Shaft Bearing: DIA4XDIA8X5: EG-1	2
6	B039 1082	Door Switch Bracket	1
7	D010 5205	Door Switch Harness - Front	1
8	B039 1096	Door Switch Lever - 7	1
9	B039 1123	Door Switch Lever - 8	1
10	B039 1095	Door Switch Lever - 6	1
11	B039 1094	Door Switch Lever - 5	1
12	B039 1098	Door Switch Spring	1
13	B039 1093	Door Switch Lever - 4	1
14	B039 1092	Door Switch Lever - 3	1
15	B039 1099	Door Switch Lever - 2	1
16	B039 1090	Door Switch Lever - 1	1
17	D010 5270	Ground Wire - Fusing Unit	1
18	B039 4116	Ground Plate - Fusing Unit	1
19	B121 4503	Exit Photointerruptor Bracket	1
20	B121 4451	Exit Middle Guide Plate	1
21	D010 5238	Relay Harness - Paper Feed Sensor	1
22	G361 5570	Photointerruptor - Duplex	1
23	B043 4979	Exit Roller	4
24	B261 4983	Gate Pawl	1
25	AA06 6641	Gate Pawl Spring	1
26	B039 1163	Pulley - 23Z	1
27	B121 1132	Fusing Drive Release Bracket	1
29	B121 4473	Exit Roller Ring Mm14	2
31	G052 4873	Outer Exit Cover Roller	2
32	B121 4465	Short Front Outer Holder	1
33	B121 4469	Long Rear Middle Holder	1
34	B121 4477	Short Rear Outer Holder	1
35	B121 4467	Long Front Middle Holder	1
36	D010 4461	Guide Plate: Exit: Lower	1
37	G029 4176	Turn Roller - Exit Sub-unit	2

Index No.	Part No.	Description	Q'ty Per Assembly
38	B039 4459	Exit Roller Holder - Inner	2
39	G800 4854	Exit Roller	2
40	B123 4508	Middle: Reverse Holder	2
41	B122 4492	Large Exit Discharge Brush	2
42	B122 4493	Small Exit Discharge Brush	2
43	B121 1126	Harness Guide	1
44	D010 4460	Guide Plate: Exit: Lower: Adhesion	1
45	B268 1085	Switch: LF-105-11	2
102	0450 3008N	Tapping Screw - M3x8	
103	0451 3006N	Tapping Screw - 3x6	
104	0450 3012N	Tapping Screw: 3x12	
105	0720 0030E	Retaining Ring - M3	
106	0450 4008N	Tapping Screw - M4x8	

20.DUPLEX UNIT 1 (D010)

Rev. 05/27/2008



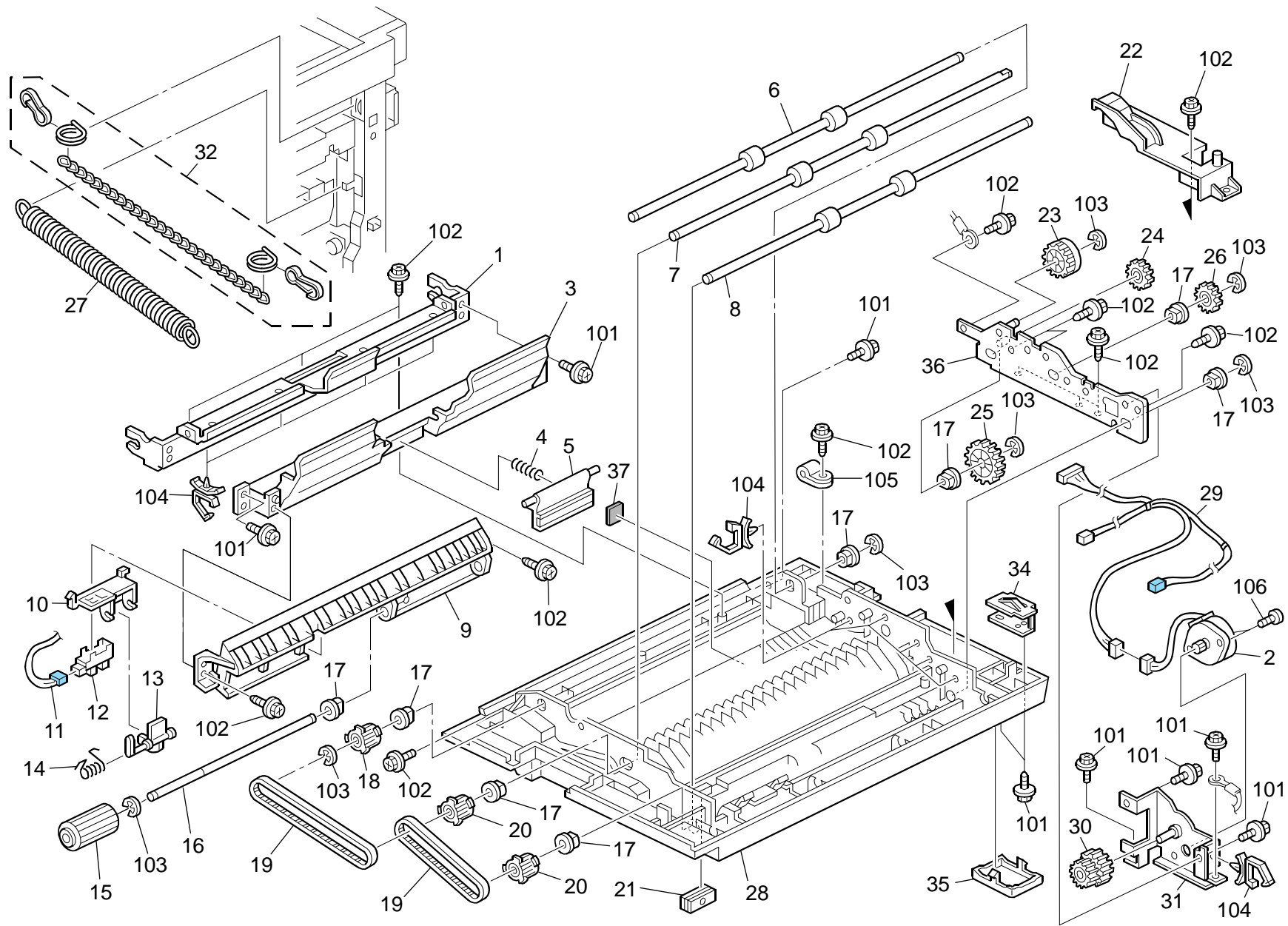
20.DUPLEX UNIT 1 (D010)

Rev. 05/27/2008

Index No.	Part No.	Description	Q'ty Per Assembly
1	D010 4603	Vertical Transport Roller	1
2	D010 4268	Bushing: MM4: Vertical Transport [TSB#002]	2
3	AA06 3399	Spring - Vertical Transport	2
4	D010 2558	Turn Roller [TSB#002]	2
5	D010 4662	Guide Plate - Vertical Transport	1
6	B043 4676	Bracket - Duplex Entrance Sensor	1
7	G060 2641	Transport Driven Roller - Middle	3
8	D010 4313	Bushing: MM4 [TSB#002]	6
9	B043 4647	Lower Spring Plate - Driven Roller	1
10	B123 4675	Exit Duplex Sensor Bracket	1
11	AW02 0181	Paper Feed Sensor	2
12	D010 4640	Duplex Guide Plate	1
14	D010 4663	Guide Plate: Exit: Right Lower: DX [TSB#002]	1
18	B043 4645	Spring - 2n	2
19	B043 4646	Upper Spring Plate - Driven Roller	1
20	B043 4651	Door Lever	1
21	A250 1388	Spring	1
22	B043 4671	Bracket - Upper Guide Plate	2
23	D010 4617	Guide Plate: DX: Entrance [TSB#002]	1
24	B043 4674	Cover - Duplex Entrance Sensor	1
25	B123 4977	Right Upper Exit Guide Plate Ass'y	1
26	B123 4617	Entrance Duplex Guide Plate	1
27	D010 4691	Decal [TSB#002]	1
28	D010 5245	Ground Wire - Duplex	2
29	B043 4692	Grip Decal	1
30	B043 4642	Stopper - Guide Plate	1
31	B039 4480	Stepped Screw - M5	2
32	D010 4672	Guide: Vertical Transport: NO2	2
33	D010 4673	Guide: Vertical Transport: NO3	1
34	b039 4485	Grounding Plate – Exit Guide [TSB#002]	1

Index No.	Part No.	Description	Q'ty Per Assembly
101	0450 3008N	Tapping Screw - M3x8	
102	0451 3006N	Tapping Screw - 3x6	
103	1105 0511	Harness Clamp - LWS-0306ZC	

21.DUPLEX UNIT 2 (D010)



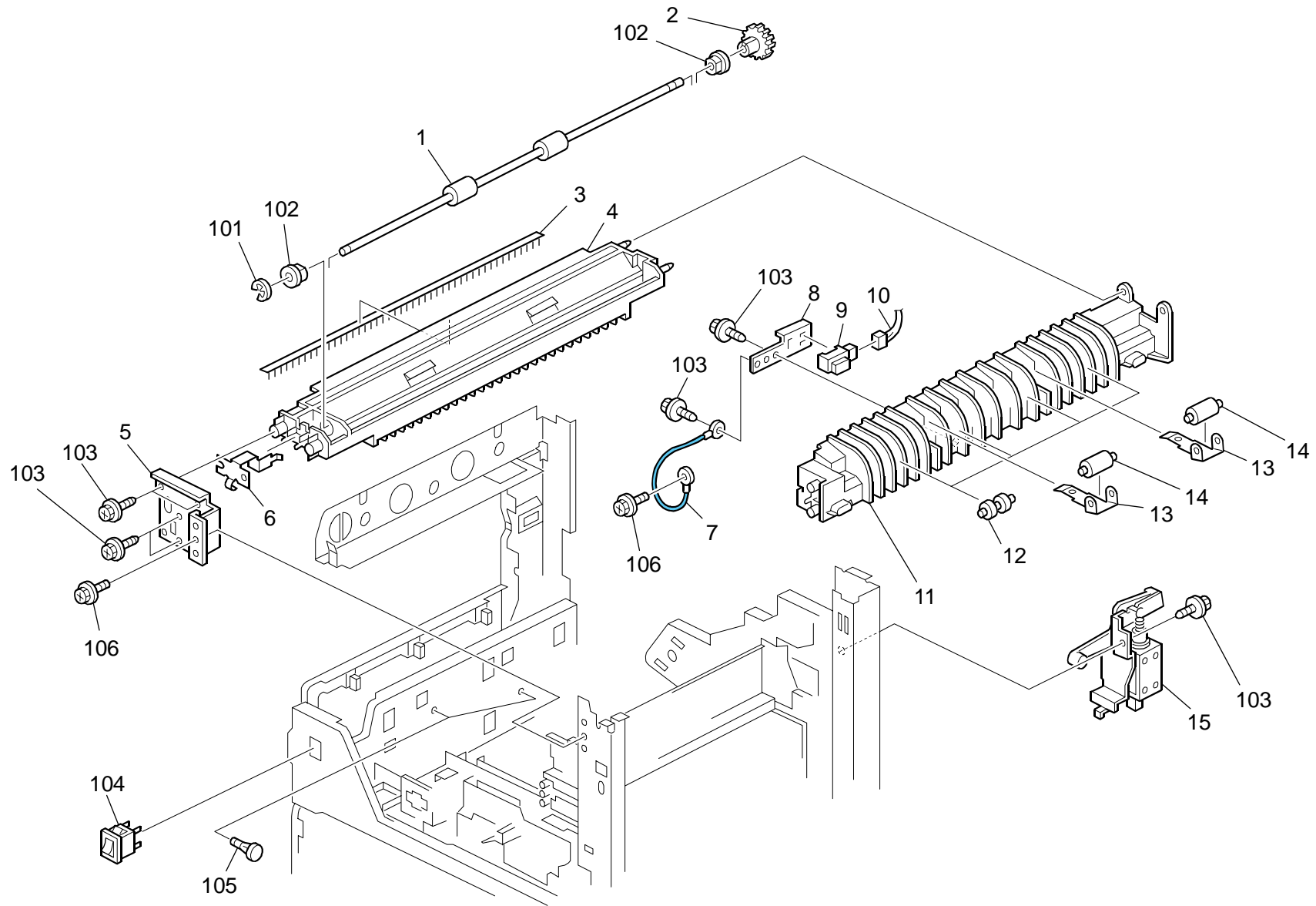
21.DUPLEX UNIT 2 (D010)

Rev. 05/16/2008

Index No.	Part No.	Description	Q'ty Per Assembly
1	D010 4609	Stay: Cont Point: DX Unit: Adhesion [TSB#002]	1
2	D010 4710	Stepper Motor - DC	1
3	D010 4667	Guide Plate: Manual Feed: Lower [TSB#002]	1
4	B043 4685	Spring - 2.8n	1
5	D010 4650	Separation Pad: Ass'y [TSB#002]	1
6	B261 4624	Transport Roller: Drive: Duplex: Exit	1
7	D010 4623	Transport Roller: Drive: DX Connect [TSB#002]	1
8	B261 4625	Transport Roller: Drive: Duplex: Entrance	1
9	B043 4684	By-pass Feed Guide - Upper	1
10	D010 4510	Bracket - Paper End Sensor [TSB#002]	1
11	D010 5252	Relay Harness - Paper End Sensor	1
12	GW02 0020	Photointerruptor: LG248N1	1
13	B039 2611	Feeler - Paper End Sensor	1
14	AA06 6343	Spring - Paper End Sensor	1
15	AF03 1060	By-pass Feed Roller	1
16	B261 4686	Manual Feed Drive Shaft	1
17	AA08 2101	Bushing - 6x10x6	8
18	D010 4631	Gear Drive: Transport Roller [TSB#002]	1
19	B123 4505	Timing Belt - 40S2M290	2
20	D010 4569	Pulley: 30T: Right [TSB#002]	2
21	AG07 0514	Magnet Catch	1
22	D010 4661	Rear Inner Cover - Duplex	1
23	D010 4714	Gear: Input: Manual Feed [TSB#002]	1
24	D010 4633	Gear: Idler: Manual Feed [TSB#002]	1
25	D010 4713	Gear: Manual Feed [TSB#002]	1
26	B043 4631	Gear - 38Z	1
27	B123 4697	Tension Spring 27n	1
28	D010 4627	Duplex Cover	1
29	D010 5241	Relay Harness - Duplex Unit	1
30	D010 4632	Coupled Gear 25/59z [TSB#002]	1
31	D010 4705	Motor Bracket	1
32	B123 4693	Duplex Unit Stopper Ass'y	1
34	B043 4694	Chain Bracket	1
35	B043 4698	Cap - 30x36	1
36	D010 4613	Side Plate: Drive: Ass'y	1

Index No.	Part No.	Description	Q'ty Per Assembly
37	B043 4688	Pad: 13X26	1
101	0451 3006N	Tapping Screw - 3x6	
102	0450 3008N	Tapping Screw - M3x8	
103	0720 0040E	Retaining Ring - M4	
104	1105 0511	Harness Clamp - LWS-0306ZC	
105	1105 0009	Nylon Clamp - 5n	
106	0433 0060N	Pan Self-tapping Screw: 3x6	
107	0451 3006N	Tapping Screw - 3x6	

22.DUPLEX UNIT 3 (D010)

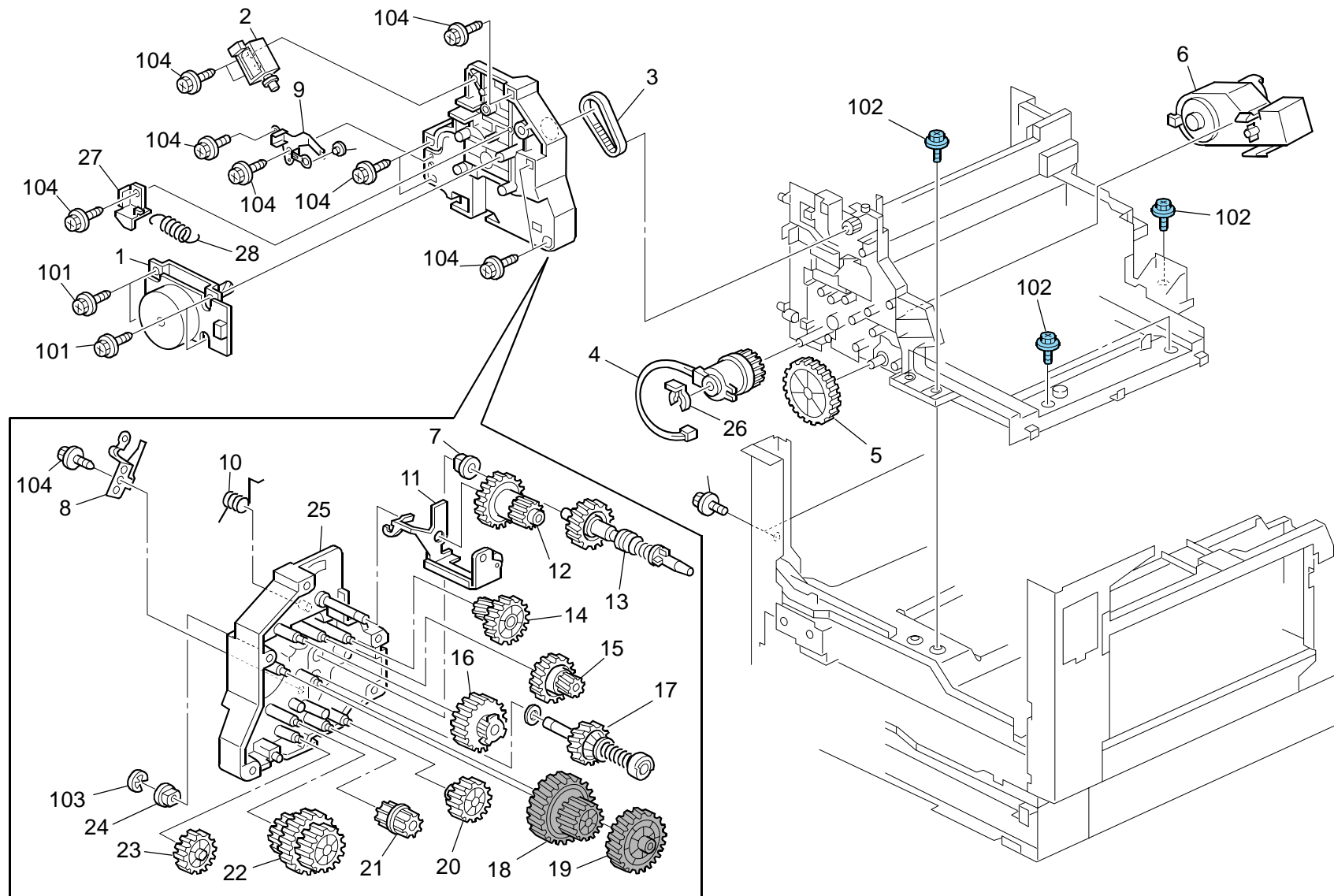


22.DUPLEX UNIT 3 (D010)

Index No.	Part No.	Description	Q'ty Per Assembly
1	B261 4989	Reverse Roller	1
2	B043 4975	Gear - 18Z	1
3	B121 4490	Antistatic Brush	1
4	B269 4981	Guide Plate: Reverse: Left Upper	1
5	B122 1075	Front Reverse Sub-unit Holder	1
6	B123 4506	Reverse Roller Ground Plate	1
7	D010 5245	Ground Wire - Duplex	1
8	B123 4973	Reverse Paper Feed Sensor Bracket	1
9	GW01 0007	Photo Reflection Sensor: Exit	1
10	D010 5253	Sensor Relay Harness - Duplex	1
11	B123 4502	Middle Reverse Guide Plate	1
12	B043 4979	Exit Roller	4
13	B123 4508	Middle: Reverse Holder	2
14	G800 4854	Exit Roller	2
15	D010 4984	DC Solenoid	1

Index No.	Part No.	Description	Q'ty Per Assembly
101	0720 0040E	Retaining Ring - M4	
102	0805 3383	Bushing - M5	
103	0450 3008N	Tapping Screw - M3x8	
104	1204 2608	Rocker Switch: Sddje33900	
105	1105 0499	Support Spacer - M3x29	
106	0451 3006N	Tapping Screw - M3x6	

23.DRIVE SECTION 1 (D010)



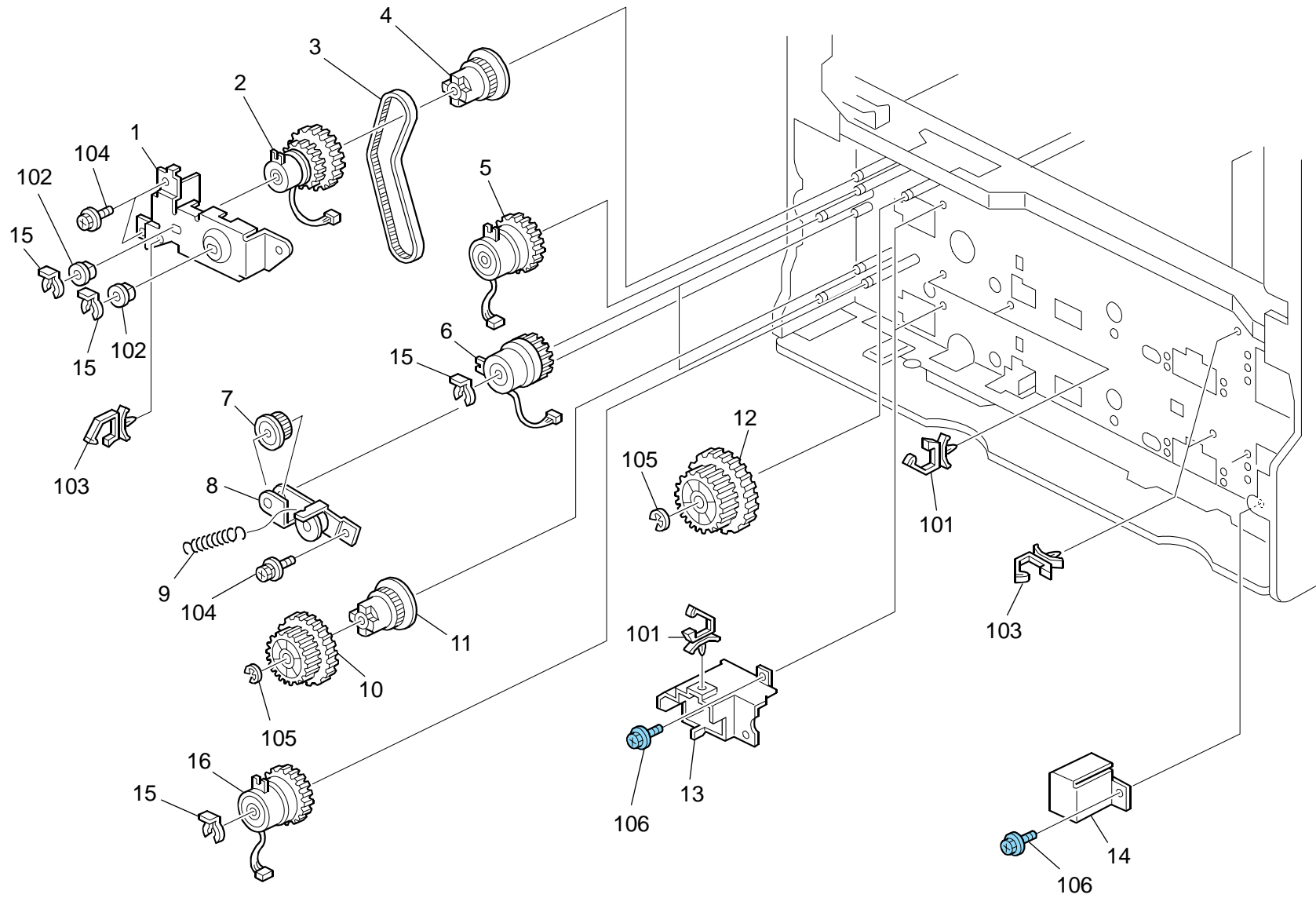
23.DRIVE SECTION 1 (D010)

Rev. 07/09/2013

Index No.	Part No.	Description	Q'ty Per Assembly
1	D010 1127	Brushless Motor - DC 25W	1
2	B259 1135	DC Solenoid Ass'y	1
3	AA04 3701	Synchronous Belt: S2M	1
4	D010 1188	Magnetic Clutch	1
5	B039 1170	Gear - 63Z	1
6	D010 3320	Toner Bottle Motor – DC 3.6W	1
7	B039 1144	Bushing - 8x16x9	1
8	B039 1135	Development Terminal	1
9	B282 1128	Ground	1
10	B121 1161	Large Spring	1
11	B259 1157	Fusing Swivel Bracket	1
12	B039 1156	Coupled Gear - 20/49z (12)	1
13	B039 1148	Drum Shaft (02)	1
14	B039 1145	Coupled Gear - 34/63z (01)	1
15	B039 1146	Coupled Gear - 32/71z (04)	1
16	B039 1155	Gear/pulley - 61/34Z (11)	1
17	B259 1174	Development Drive Shaft (03)	1
18	B039 1154	Coupled Gear - 37/97z (05)	1
19	B039 1173	Gear - 78Z (06)	1
20	B039 1168	Gear - 32Z (10)	1
21	B039 1167	Gear - 22Z (09)	1
22	B039 1165	Coupled Gear - 49/59/38z (08)	1
23	B039 1166	Gear - 37Z (07)	1
24	5304 1639	Bushing - 8mm	1
25	B121 1140	Main Drive Housing	1
26	AA10 0015	Snap Ring - M6	1
27	B121 1145	Harness Hook	1
28	B121 1162	Small Spring	1

Index No.	Part No.	Description	Q'ty Per Assembly
101	0450 4010N	Tapping Screw: M4x10	
102	0454 3008Q	Tapping Screw	
103	0720 0060E	Retaining Ring - M6	
104	0450 3008N	Tapping Screw - M3x8	
105	1105 0488	Harness Clamp	

24.DRIVE SECTION 2 (D010)



24.DRIVE SECTION 2 (D010)

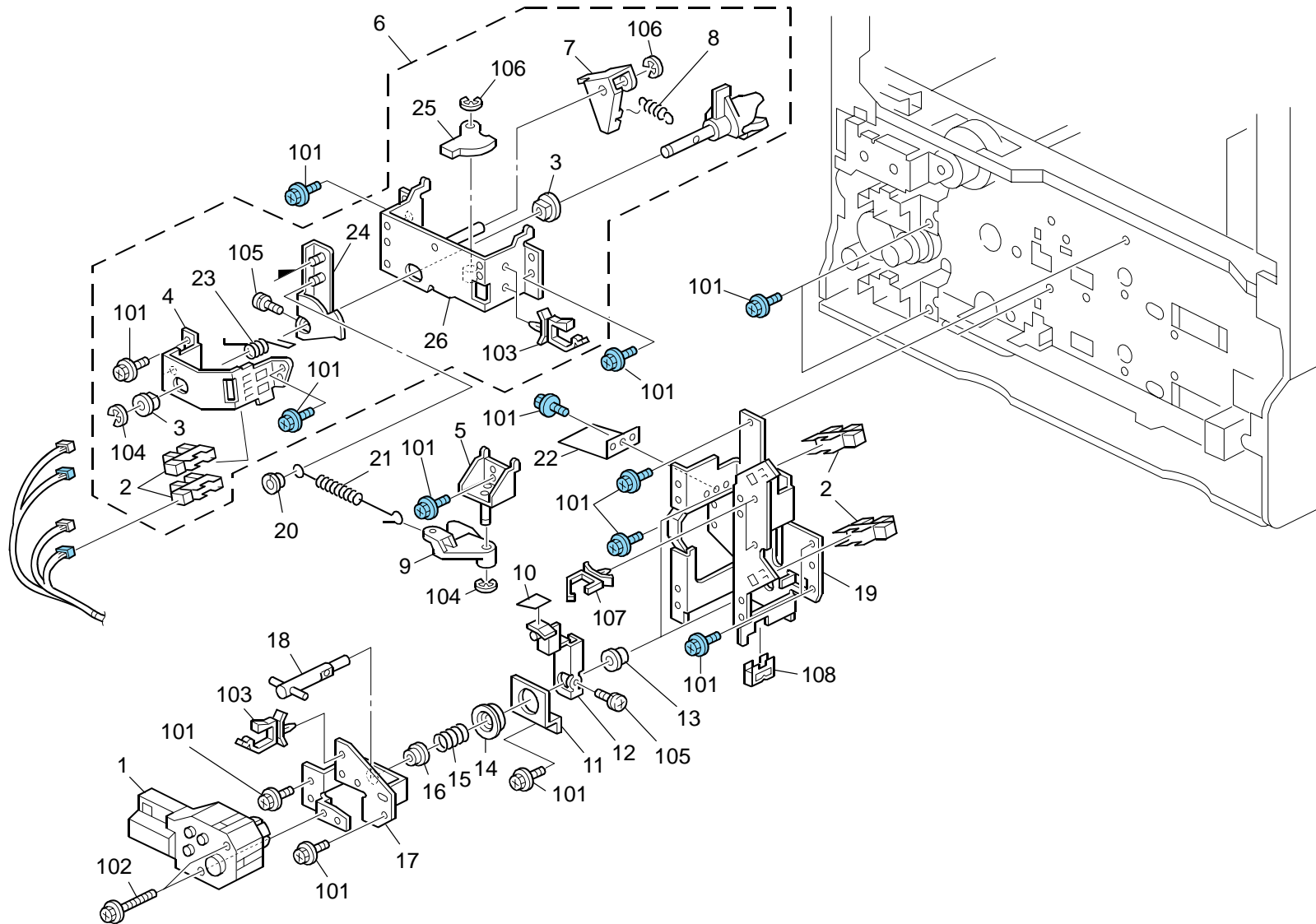
Rev. 09/22/2009

Index No.	Part No.	Description	Q'ty Per Assembly
1	D010 1142	Housing - Paper Feed	1
2	D010 2618	Magnetic Clutch: Manual Feed: 0.25N.M	1
3	D010 2631	Timing Belt - S3M,315	1
4	D010 1195	Pulley - 26T	1
5	D010 2816	Magnetic Clutch	1
6	D010 2617	Magnetic Clutch	1
7	AB03 0627	Timing Pulley - 18T	1
8	B090 2602	Bracket: Tension	1
9	B091 2615	Spring: Tension	1
10	D010 1196	Gear - 67Z/41Z	1
11	D010 1193	Pulley - 26T	1
12	D010 1191	Gear - 84Z/65Z	1
13	D010 2592	Guard: Drive: Paper Feed: Right	1
14	B090 2593	Cover: Positioning Pin: Left Inner Rear	1
15	B091 2607	Snap Ring	3
16	D010 2816	Magnetic Clutch	2

Index No.	Part No.	Description	Q'ty Per Assembly
101	1105 0511	Harness Clamp - LWS-0306ZC	
102	0805 3480	Bushing: Dia6	
103	1105 0487	Harness Clamp	
104	0802 5299	Tapping Screw: Washer: 3X8	
105	0720 0060	Retaining Rings-E: 6	
106	0802 5299	Tapping Screw - M3x8	

25.DRIVE SECTION 3 (D010)

Rev. 06/30/2008



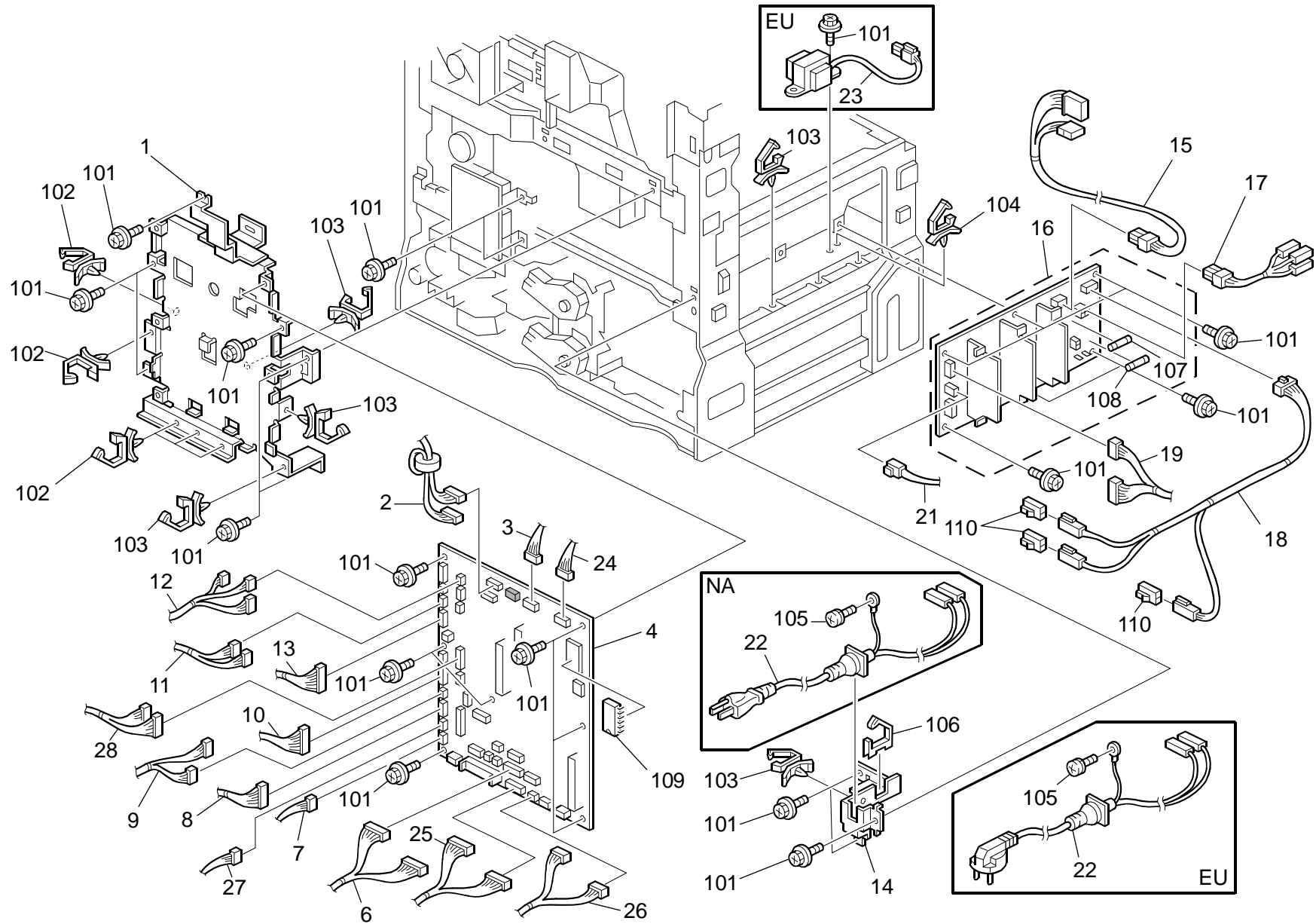
25.DRIVE SECTION 3 (D010)

Rev. 12/28/2009

Index No.	Part No.	Description	Q'ty Per Assembly
1	D331 2680	DC Motor: Paper Feed: Ass'y	2
2	AW02 0141	Photointerruptor	2
3	AA08 2070	Bushing - 8x16x7	4
4	B090 2773	Bracket: Rise: 2	2
5	B090 2781	Bracket: Lever: Pressure	2
6	B209 2780	Rising Unit: Ass'y	2
7	B024 2765	Pressure Lever Stopper	2
8	B091 2766	Tension Spring: Stopper: Return	2
9	A267 2794	Sub Pressure Lever	2
10	D010 2849	Shutter - Photointerruptor	2
11	B090 2848	Stopper: Holder: Compression Spring	2
12	B090 2776	Lever: Dc Motor	2
13	A267 2847	Bushing - Motor Shaft	2
14	A267 2846	Holder - Spring	2
15	B091 2844	Compression Spring: Return	2
16	A267 2845	Bushing - DC Motor Shaft	2
17	B090 2838	Bracket: Dc Motor: 2	2
18	A267 2840	Shaft - DC Motor	2
19	B090 2837	Bracket: Dc Motor: 1	1
20	B031 2836	Clip: Shaft	3
21	D010 2771	Tension Spring [TSB#002R]	2
22	B024 2839	Harness Cover - Paper Feed	1
23	B091 2767	Torsion Spring: Joint: Return	1
24	B090 2777	Lever: Rise: Paper Volume Sensor	2
25	A267 2770	Vibrating Plate	2
26	B090 2815	Bracket: Rise: 1	2

Index No.	Part No.	Description	Q'ty Per Assembly
101	0451 3006N	Tapping Screw - 3x6	
102	0451 3030N	Tapping Screw: 3x30	
103	1105 0511	Harness Clamp - LWS-0306ZC	
104	0720 0060E	Retaining Ring - M6	
105	0950 4008Z	Philips Truss Screw - M4x8	
106	0720 0040E	Retaining Ring - M4	
107	1105 0460	Clamp	
108	1105 0329	Clamp - ES-0510	

26.ELECTRICAL SECTION 1 (D010)



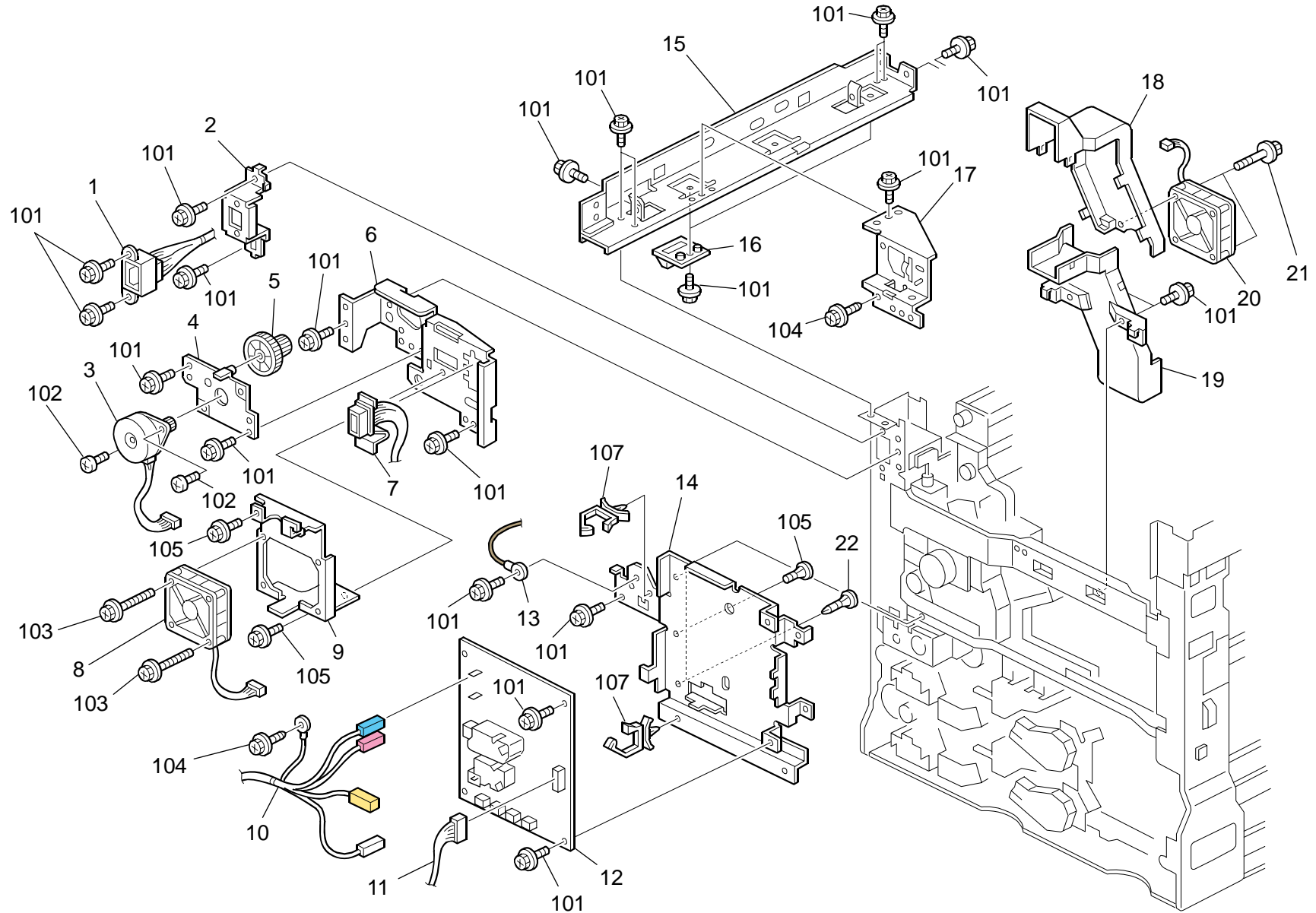
26.ELECTRICAL SECTION 1 (D010)

Rev. 10/22/2010

Index No.	Part No.	Description	Q'ty Per Assembly
1	D010 5810	Bracket - BICU	1
2	D010 5222	Harness: Scanner	1
3	D010 5220	Hps Harness	1
4	D010 5101	BICU Board	1
6	D010 5231	M/H Assy: Paper Size Detect	1
7	D010 5206	Density Sensor Harness	1
8	D010 5250	Harness: LDD	1
9	D010 5200	Scanner Motor Harness	1
10	D010 5255	Harness - 1-bin Tray	1
11	D010 5240	Harness: Document Feeder	1
12	D010 5230	Harness - Power Supply Unit	1
13	D010 5243	Duplex Harness	1
14	D010 5825	Bracket - Power Supply Cord	1
15	D010 5218	AC Harness - Fusing	1
15	D010 5217	AC Harness - Fusing EU	1
16	AZ23 0213	Power Supply Unit - 115V	1
16	AZ23 0214	Power Supply Unit - 230V	1
17	D010 5226	Harness - Main Switch	1
18	D010 5228	AC Harness - Dehumidifier	1
19	D010 5230	Harness: Power Supply Unit	1
21	D010 5207	Harness: Joint Unit	1
22	D010 5742	Power Supply Cord - NA	1
22	D010 5743	Power Supply Cord - EU	1
23	B243 5018	Choke Coil: B2435018	1
24	D010 5207	Joint Unit Harness	1
25	D010 5201	Registration Sensor Harness	1
26	D010 5212	Manual Feed Harness	1
27	D010 5248	Development Sensor Harness	1
28	D010 5203	Main Motor Harness	1

Index No.	Part No.	Description	Q'ty Per Assembly
101	0451 3006N	Tapping Screw - 3x6	
102	1105 0488	Harness Clamp	
103	1105 0487	Harness Clamp	
104	1105 0516	Clamp	
105	0950 4006Z	Screw: M4X6	
106	1105 0518	Edge Saddle - Les-1010	
107	1107 0392	Fuse - 6.3a 120V	
107	1107 1175	Fuse: FIH 3.15A (EM) 220V	
108	1107 0629	Fuse: Ceramic Case: 15a 120V	
109	1407 5299	Ram: FM1608-120-PG [TSB#003]	
110	1102 8510	Connector: 1-172157-2	1

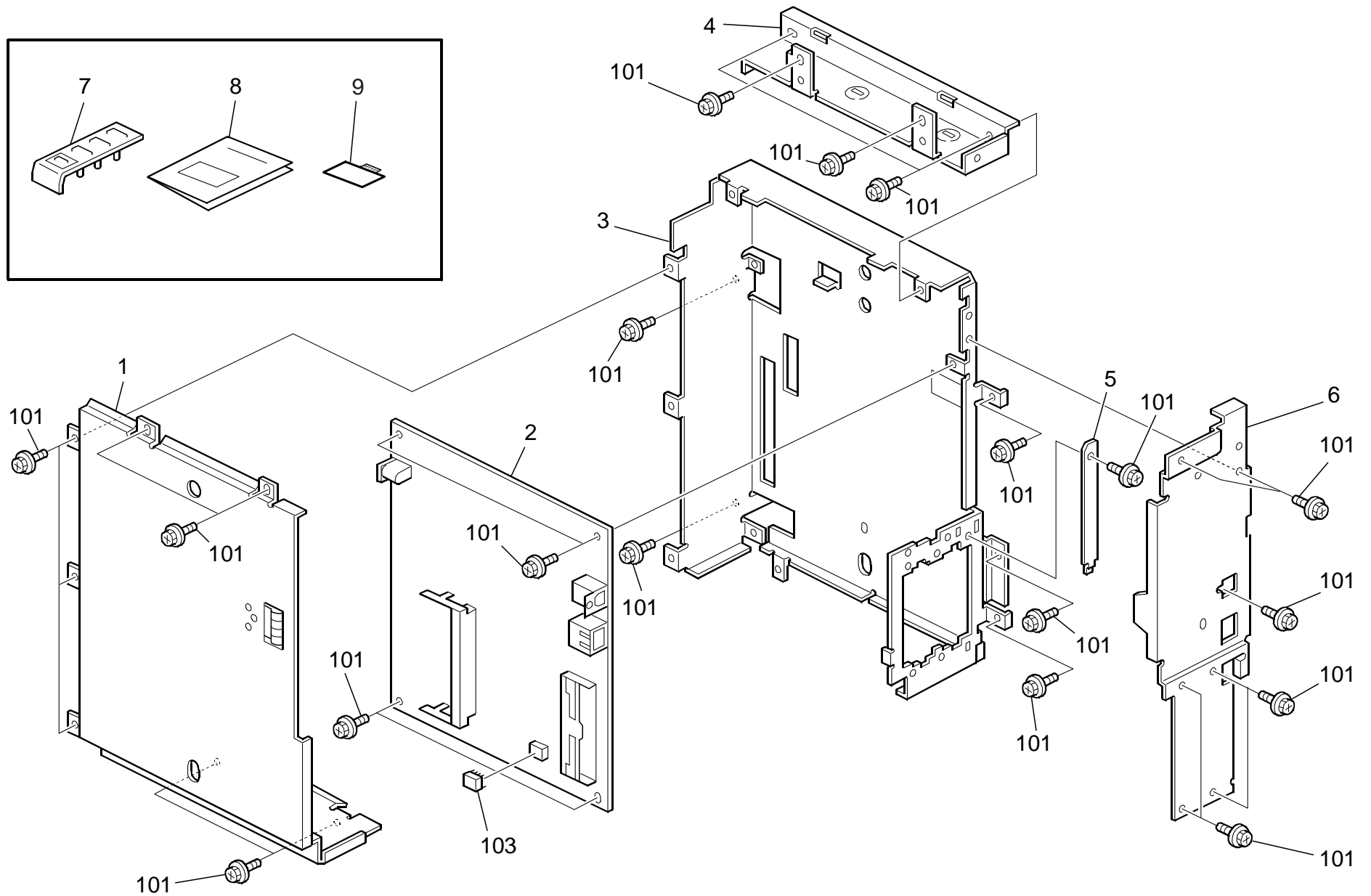
27.ELECTRICAL SECTION 2 (D010)



27.ELECTRICAL SECTION 2 (D010)

Index No.	Part No.	Description	Q'ty Per Assembly
1	D010 5240	Harness - Document Feeder	1
2	D010 5831	ADF Plug Bracket	1
3	D010 4710	Stepper Motor - DC	1
4	B261 4994	Stepper Motor Bracket	1
5	B043 4991	Coupled Gear - 15/51z	1
6	D010 1016	Bracket: C	1
7	D010 5255	Harness - 1-bin Tray	1
8	D010 1106	Fan Motor - DC 2.88w	1
9	D010 1102	Fan Motor Bracket	1
10	D010 5232	High Voltage Cable	1
11	D010 5203	Harness: Motor: Main	1
12	D010 5710	Power Pack	1
13	D010 5219	Harness: Ground Wire	1
14	D010 5841	Bracket - Power Pack	1
15	D010 1014	Stay: Scanner: Right Lower	1
16	D010 1073	Stopper: Lever: Door: Right	1
17	D010 1081	Supporting Plate: Frame: C	1
18	D010 1110	Front Main Duct	1
19	D010 1111	Rear Main Duct	1
20	D010 1106	Fan Motor - DC 2.88w	1
21	B259 1119	Tapping Screw: M3x33	2
22	G020 5871	Spacer: Lock: KGLS-12RT	

Index No.	Part No.	Description	Q'ty Per Assembly
101	0451 3008N	Tapping Screw - M3x8	
102	0313 0060N	Screw - M3X6	
103	0451 3030N	Tapping Screw: 3x30	
104	0451 3008N	Tapping Screw - M3x8	
105	0451 3006N	Tapping Screw - 3x6	
107	1105 0488	Harness Clamp	



28.GDI UNIT (D010)

Rev. 11/05/2008

Index No.	Part No.	Description	Q'ty Per Assembly
1	B622 5880	Cover - Expand	1
2	B865 5171	PCB Gdi-Basic (B865)	1
2	B866 5171	PCB Gdi-NOB (B866)	1
3	B243 5870	PCB Bracket	1
4	B622 5872	Rail Holder	1
5	B243 5879	Cover - Card	1
6	B243 5874	Cover - PCB (B865)	1
6	B243 5875	Cover - GDI (B866)	1
7	B243 1466	Cover - CPS NA	1
7	B243 1468	Cover - CPS EU	1
8	B865 8592	Operating Instructions - Printer	1
9	B895 5171	PCB: Dongle: Ass'y	1

Index No.	Part No.	Description	Q'ty Per Assembly
101	0451 3006N	Tapping Screw - 3x6	
103	1407 6612	EEPROM:AT24C64A-10PU-2.7	

29.BICU BOARD (D010)

CAPACITOR

SYMBOL NO.	INDEX NO.	SYMBOL NO.	INDEX NO.	SYMBOL NO.	INDEX NO.	SYMBOL NO.	INDEX NO.	SYMBOL NO.	INDEX NO.	SYMBOL NO.	INDEX NO.	SYMBOL NO.	INDEX NO.
C1	202	C11	192	C21	201	C31	205	---	---	---	---	---	---
C2	205	C12	192	C22	203	C32	210	C42	195	C52	205	---	---
C3	202	---	---	C23	205	C33	213	C43	205	C53	205	---	---
C4	202	---	---	C24	205	C34	238	C44	205	C53	210	---	---
C5	202	---	---	C25	205	C35	238	C45	210	C54	205	---	---
C6	202	C16	201	C26	194	C36	197	C46	198	C55	212	C65	198
C7	202	C17	298	---	---	---	---	C47	198	---	---	C66	198
C8	202	C18	298	---	---	---	---	C48	198	---	---	C67	198
C9	202	C19	201	---	---	C39	210	C49	205	C59	205	---	---
C10	202	---	---	C30	238	---	---	---	---	C60	212	---	---

CAPACITOR

SYMBOL NO.	INDEX NO.	SYMBOL NO.	INDEX NO.	SYMBOL NO.	INDEX NO.	SYMBOL NO.	INDEX NO.	SYMBOL NO.	INDEX NO.	SYMBOL NO.	INDEX NO.	SYMBOL NO.	INDEX NO.
---	---	C81	201	C91	238	C101	296	C111	212	---	---	C131	198
C72	205	C83	205	C92	209	C102	197	C112	205	C122	210	C132	210
C73	210	C84	197	C93	198	C103	197	C113	198	C123	205	C133	212
C74	205	C85	197	---	---	C104	212	C114	198	C124	201	C134	198
C75	210	---	---	---	---	C105	212	C115	198	C125	210	C135	205
---	---	C86	197	---	---	---	---	C116	198	C126	205	C136	196
---	---	C87	197	---	---	C106	210	C117	205	C127	207	C137	198
---	---	C88	197	C97	210	C107	210	C118	212	C128	210	C138	295
C77	205	C89	197	C98	205	---	---	C119	198	C129	210	C139	205
C78	210	C89	210	C99	191	---	---	C120	212	C130	190	C140	200
C80	205	C90	197	C100	210	C110	198	---	---	---	---	---	---

29.BICU BOARD (D010)

CAPACITOR

SYMBOL NO.	INDEX NO.	SYMBOL NO.	INDEX NO.	SYMBOL NO.	INDEX NO.	SYMBOL NO.	INDEX NO.	SYMBOL NO.	INDEX NO.	SYMBOL NO.	INDEX NO.	SYMBOL NO.	INDEX NO.
C141	198	C151	205	---	---	C171	198	C181	210	C191	193	C201	301
C142	198	---	---	C162	205	C172	205	C182	210	---	---	C202	210
C143	205	---	---	C163	205	C173	199	C183	205	---	---	C203	212
C144	209	C154	205	C164	196	---	---	C184	205	---	---	C204	210
C145	209	C155	205	C165	196	---	---	C185	205	---	---	C205	203
C146	212	C156	207	C166	196	C176	211	C186	205	---	---	---	---
C147	198	C157	210	C167	196	C177	212	C187	198	C197	236	C207	205
C148	210	C158	190	C168	196	---	---	C188	205	C198	236	C208	196
C149	210	C159	203	C169	196	C179	210	C189	238	C199	205	C209	196
C150	205	C160	203	C170	196	C180	210	C190	205	---	---	C210	198

CAPACITOR

SYMBOL NO.	INDEX NO.	SYMBOL NO.	INDEX NO.	SYMBOL NO.	INDEX NO.	SYMBOL NO.	INDEX NO.	SYMBOL NO.	INDEX NO.	SYMBOL NO.	INDEX NO.	SYMBOL NO.	INDEX NO.
C211	208	C221	204	C231	198	C241	204	---	---	---	---	C271	205
C212	208	C222	204	C232	198	C242	298	---	---	---	---	C272	205
C213	294	C223	204	C233	198	C243	298	C253	204	C263	205	C273	198
C214	198	C224	210	C234	198	C244	297	C254	204	C264	205	C274	204
C215	198	C225	210	C235	198	C245	298	C255	299	C265	205	C275	299
C216	198	C226	298	C236	198	C246	298	C256	301	C266	212	C276	301
C217	209	C227	297	C237	198	C247	212	C258	203	C267	212	C277	236
C218	198	C228	205	C238	205	C248	205	C259	210	C268	205	---	---
C219	198	C229	295	C239	209	C249	205	---	---	C269	198	---	---
C220	203	C230	198	C240	205	C250	205	---	---	C270	205	---	---

29.BICU BOARD (D010)

CAPACITOR

SYMBOL NO.	INDEX NO.	SYMBOL NO.	INDEX NO.	SYMBOL NO.	INDEX NO.	SYMBOL NO.	INDEX NO.	SYMBOL NO.	INDEX NO.	SYMBOL NO.	INDEX NO.	SYMBOL NO.	INDEX NO.
---	---	C291	210	---	---	C311	206	C321	212	C331	192	C341	203
C282	210	C292	203	C302	198	C312	206	---	---	C332	192	C342	203
---	---	C293	196	C303	204	C313	204	---	---	C333	203	C343	193
---	---	C294	199	C304	205	C314	204	C324	212	C334	205	C344	203
---	---	C295	199	C305	210	C315	203	C325	205	C335	205	C345	203
---	---	C296	204	C306	236	---	---	---	---	C336	210	C346	212
---	---	C297	205	C307	210	C317	203	---	---	C337	210	C347	204
C287	196	C298	204	C308	193	C318	205	---	---	C338	210	C348	205
C289	206	C299	205	---	---	C319	212	C329	198	C339	203	---	---
C290	210	C300	205	C310	193	C320	205	C330	205	C340	203	C350	235

CAPACITOR

SYMBOL NO.	INDEX NO.	SYMBOL NO.	INDEX NO.	SYMBOL NO.	INDEX NO.	SYMBOL NO.	INDEX NO.	SYMBOL NO.	INDEX NO.	SYMBOL NO.	INDEX NO.	SYMBOL NO.	INDEX NO.
C351	205	C361	208	C371	210	---	---	C391	203	C401	203	C411	203
---	---	---	---	C372	203	C382	300	C392	203	C402	203	C412	203
---	---	C363	196	C373	203	C383	205	C393	203	C403	203	C413	203
---	---	C364	196	C374	203	C384	203	C394	235	C404	203	C414	203
---	---	C365	196	C375	203	C385	199	C395	203	C405	203	C415	203
---	---	C366	196	C376	203	C386	210	C396	203	C406	203	C416	210
C357	205	C367	203	C377	203	C387	205	C397	203	C407	203	---	---
C358	205	C368	203	C378	203	C388	237	C398	204	C408	203	---	---
C359	212	C369	203	C379	203	C389	210	C399	203	C409	203	---	---
C360	205	C370	203	C380	210	C390	237	---	---	C410	203	---	---

29.BICU BOARD (D010)

FILTER

SYMBOL NO.	INDEX NO.
FIL4	217
FIL11	215
FIL12	216

FUSE

SYMBOL NO.	INDEX NO.
FU1	136
FU2	136

IC

SYMBOL NO.	INDEX NO.
IC0	173
IC0	174
IC1	135
IC1	305
IC2	304
IC3	165
---	---
---	---
IC8	163
IC10	1

SYMBOL NO.	INDEX NO.
IC11	171
IC12	157
IC13	164
---	---
IC15	164
IC16	163
IC17	172
IC18	170
IC19	2
IC20	166

SYMBOL NO.	INDEX NO.
IC21	158
IC22	167
IC23	162
IC24	159
IC25	159
IC26	302
IC27	180
IC28	160
IC29	159
IC30	168

SYMBOL NO.	INDEX NO.
IC31	302
IC32	303
IC33	169
IC34	3
IC35	176
IC36	168
IC37	169
IC38	176
---	---
---	---

SYMBOL NO.	INDEX NO.
IC41	171
IC42	181
IC43	177
IC44	161
IC45	158
IC47	161
IC48	175
IC49	161
---	---
---	---

LED

SYMBOL NO.	INDEX NO.
LED1	155
LED2	155

OSC

SYMBOL NO.	INDEX NO.
OSC1	184

Q

SYMBOL NO.	INDEX NO.
Q1	147
Q2	144
Q3	145
---	---
---	---
Q6	144
Q7	144
Q8	144
Q9	144
Q10	144

SYMBOL NO.	INDEX NO.
Q11	142
Q12	144
---	---
Q14	144
---	---
Q16	145
Q17	146
Q18	141
Q19	146
Q20	144

SYMBOL NO.	INDEX NO.
Q21	140
Q22	143
Q23	143
Q24	139
Q25	145
Q26	146

RESISTOR

SYMBOL NO.	INDEX NO.
R1	257
R2	258
R3	247
R4	250
R5	250
R6	250
R7	244
R8	233
R9	233
R10	275

SYMBOL NO.	INDEX NO.
R11	257
R12	272
R13	258
R14	275
R15	257
R16	275
R17	258
R18	257
R19	234
R20	258

SYMBOL NO.	INDEX NO.
R21	269
---	---
R23	254
R24	271
R25	252
R26	272
R27	253
R28	258
R29	257
R30	272

SYMBOL NO.	INDEX NO.
R31	253
R32	234
R33	234
---	---
R35	278
R36	278
---	---
R38	258
R39	234
R40	275

29.BICU BOARD (D010)

RESISTOR

SYMBOL NO.	INDEX NO.	SYMBOL NO.	INDEX NO.	SYMBOL NO.	INDEX NO.	SYMBOL NO.	INDEX NO.	SYMBOL NO.	INDEX NO.	SYMBOL NO.	INDEX NO.	SYMBOL NO.	INDEX NO.
R41	275	---	---	R61	259	R71	254	R81	186	R91	264	R101	234
R42	278	R52	258	R62	257	---	---	R82	258	---	---	R102	234
R43	278	R53	259	R63	267	---	---	R84	271	R93	257	R103	272
R44	258	R54	267	R64	234	R74	258	---	---	R94	258	R104	258
R45	259	R55	251	R65	234	R75	258	---	---	R95	258	R105	275
R46	278	R56	258	R66	234	R76	264	R86	272	---	---	---	---
---	---	R57	258	R67	234	R77	259	R87	272	R97	234	---	---
R48	267	R58	275	R68	234	R78	273	R88	272	R98	234	---	---
R49	267	---	---	R69	234	R79	257	R89	271	R99	234	---	---
R50	267	---	---	R70	187	R80	272	R90	264	R100	234	---	---

RESISTOR

SYMBOL NO.	INDEX NO.	SYMBOL NO.	INDEX NO.	SYMBOL NO.	INDEX NO.	SYMBOL NO.	INDEX NO.	SYMBOL NO.	INDEX NO.	SYMBOL NO.	INDEX NO.	SYMBOL NO.	INDEX NO.
R111	258	---	---	R131	185	R141	257	R151	233	---	---	R171	185
R112	275	---	---	R132	274	---	---	R152	276	---	---	R172	185
R113	275	R122	272	R133	261	R143	267	R153	263	R163	275	R173	283
---	---	R124	272	R134	291	R144	267	R154	268	R164	267	R174	289
R115	259	R125	272	R135	282	---	---	R155	257	R165	258	R175	286
---	---	---	---	R136	279	R146	251	R156	234	R166	259	R176	289
R117	267	---	---	R137	290	R147	251	R157	267	R167	278	R177	288
R118	258	---	---	R138	267	R148	267	R158	267	R168	258	R178	292
R119	257	---	---	R139	277	R149	271	R159	267	R169	242	R179	274
R120	257	R130	185	R140	258	---	---	R160	267	R170	257	R180	261

29.BICU BOARD (D010)

RESISTOR

SYMBOL NO.	INDEX NO.	SYMBOL NO.	INDEX NO.	SYMBOL NO.	INDEX NO.	SYMBOL NO.	INDEX NO.	SYMBOL NO.	INDEX NO.	SYMBOL NO.	INDEX NO.	SYMBOL NO.	INDEX NO.
R181	258	R191	267	R201	267	R211	267	R221	258	R231	258	R241	247
R182	258	R192	267	R202	233	R212	267	R222	267	---	---	---	---
R183	257	R193	267	R203	258	R213	267	R223	275	R233	256	R243	272
R184	257	R194	258	---	---	R214	258	R224	278	R234	258	R244	257
R185	258	R195	258	R205	267	R215	257	R225	266	R235	188	---	---
R186	258	R196	267	R206	258	R216	263	R226	258	R236	186	R246	267
---	---	R197	267	R207	268	R217	276	R227	258	R237	253	R247	258
R188	249	R198	275	R208	267	---	---	R228	267	R238	247	R248	258
R189	267	R199	267	R209	267	---	---	---	---	R239	247	R249	275
R190	275	R200	275	R210	267	R220	258	R230	278	R240	253	R250	267

RESISTOR

SYMBOL NO.	INDEX NO.	SYMBOL NO.	INDEX NO.	SYMBOL NO.	INDEX NO.	SYMBOL NO.	INDEX NO.	SYMBOL NO.	INDEX NO.	SYMBOL NO.	INDEX NO.	SYMBOL NO.	INDEX NO.
---	---	R261	258	R271	247	R281	258	R291	257	R301	275	R311	256
---	---	R262	267	R272	247	R282	256	R292	267	R302	258	R312	256
R253	278	---	---	R273	254	R283	257	R293	267	---	---	R313	258
R254	251	R264	272	R274	267	---	---	R294	258	---	---	R314	258
R255	270	R265	265	R275	258	R285	254	R295	258	---	---	R315	258
R256	260	R266	257	R276	267	R286	267	R296	256	R306	268	R316	258
R257	249	R267	257	R277	251	R287	258	R297	264	R307	258	R317	258
R258	234	R268	257	R278	258	R288	258	R298	258	R308	258	R318	258
R259	267	---	---	---	---	R289	258	R299	268	R309	258	R319	258
---	---	R270	265	R280	258	R290	269	R300	275	R310	258	R320	258

29.BICU BOARD (D010)

RESISTOR

SYMBOL NO.	INDEX NO.	SYMBOL NO.	INDEX NO.	SYMBOL NO.	INDEX NO.	SYMBOL NO.	INDEX NO.	SYMBOL NO.	INDEX NO.	SYMBOL NO.	INDEX NO.	SYMBOL NO.	INDEX NO.
---	---	R331	275	R341	257	---	---	R361	267	R371	258	R381	267
---	---	---	---	R342	258	---	---	R362	259	R372	258	R382	240
---	---	---	---	R343	287	R353	258	R363	272	R373	275	R383	258
---	---	R334	247	R344	284	R354	257	R364	269	R374	275	R384	248
---	---	R335	258	R345	287	---	---	R365	257	R375	275	---	---
---	---	R336	258	R346	284	---	---	R366	267	R376	256	R386	257
R327	257	R337	258	R347	258	R357	278	R367	275	R377	256	R387	275
R328	258	R338	268	R348	265	---	---	R368	258	R378	275	---	---
R329	262	R339	258	R349	189	R359	275	R369	258	R379	275	R389	275
R330	275	R340	248	R350	233	R360	258	R370	258	R380	275	R390	255

RESISTOR

SYMBOL NO.	INDEX NO.	SYMBOL NO.	INDEX NO.	SYMBOL NO.	INDEX NO.	SYMBOL NO.	INDEX NO.	SYMBOL NO.	INDEX NO.	SYMBOL NO.	INDEX NO.	SYMBOL NO.	INDEX NO.
R391	264	R401	272	R411	293	---	---	---	---	R441	267	R451	250
R392	264	R402	258	---	---	R422	275	---	---	R442	258	R452	244
R393	264	R403	258	R413	265	R423	275	R433	257	R443	267	R453	269
R394	258	R404	258	R414	272	R424	258	---	---	R444	257	R454	258
R395	275	R405	265	R415	233	---	---	R435	258	R445	258	R455	257
---	---	R406	285	R416	257	R426	258	R436	275	---	---	R456	258
R397	257	R407	247	R417	281	---	---	R437	267	---	---	R457	257
R398	258	R408	272	R418	280	---	---	R438	267	R448	258	R458	259
R399	239	R409	293	R419	278	R429	257	R439	259	R449	250	R459	257
R400	269	R410	285	R420	258	R430	258	R440	258	R450	250	R460	258

29.BICU BOARD (D010)

RESISTOR

SYMBOL NO.	INDEX NO.	SYMBOL NO.	INDEX NO.	SYMBOL NO.	INDEX NO.	SYMBOL NO.	INDEX NO.	SYMBOL NO.	INDEX NO.	SYMBOL NO.	INDEX NO.	SYMBOL NO.	INDEX NO.
R461	257	R471	258	R481	257	R491	254	---	---	R551	247	R561	247
R462	258	R472	258	R482	247	R492	254	---	---	R552	247	R562	245
R463	257	R473	257	R483	247	R493	254	---	---	R553	247	R563	245
---	---	R474	280	R484	247	R494	254	---	---	R554	246	R564	245
---	---	R475	281	R485	247	R495	254	R525	268	R555	246	R565	245
---	---	---	---	R486	241	R496	254	---	---	R556	246	R566	247
---	---	---	---	R487	241	R497	254	---	---	R557	246	R567	247
R468	258	R478	257	R488	241	R498	249	---	---	R558	247	R568	247
R469	257	R479	258	---	---	R499	251	---	---	R559	247	R569	247
R470	258	R480	260	R490	254	R500	251	R550	247	R560	247	R570	280

RESISTOR

SYMBOL NO.	INDEX NO.	SYMBOL NO.	INDEX NO.	SYMBOL NO.	INDEX NO.
R571	264	R581	275	R591	293
R572	261	R582	254	R592	293
R573	268	R583	254	R593	258
R574	264	R584	234	R594	258
R575	261	---	---	R595	243
R576	262	R586	254	R596	243
R577	255	R587	275	R597	265
R578	275	R588	258	R598	256
R579	275	R589	275	R599	275
R580	275	R590	256	R600	258

REG

SYMBOL NO.	INDEX NO.	SYMBOL NO.	INDEX NO.
R601	258	REG1	183
R602	275	REG2	179
R603	262	REG3	182
R604	262	REG4	178

RN

SYMBOL NO.	INDEX NO.	SYMBOL NO.	INDEX NO.
RN1	226	RN11	220
RN2	232	RN12	220
RN3	223	RN13	229
RN4	227	RN14	219
RN6	223	RN15	220
---	---	RN16	228
RN7	223	RN17	224
RN8	224	---	---
RN9	229	RN19	223
RN10	219	RN20	225

29.BICU BOARD (D010)

RN

SYMBOL NO.	INDEX NO.	SYMBOL NO.	INDEX NO.	SYMBOL NO.	INDEX NO.	SYMBOL NO.	INDEX NO.	SYMBOL NO.	INDEX NO.	SYMBOL NO.	INDEX NO.
RN21	225	RNB1	223	RN41	218	RN51	218	---	---	---	---
---	---	RNB2	229	RN42	222	RN52	218	RN62	220	RN72	222
RN23	225	RNB3	223	RN43	222	RN53	218	RN63	218	---	---
RN24	225	RNB4	219	RN44	231	RN54	218	RN64	224	RN74	220
RN25	231	RNB5	220	RN45	231	RN55	218	RN65	221	RN75	220
RN26	231	RNB6	219	RN46	223	RN56	222	---	---	RN76	226
RN27	231	RNB7	220	RN47	223	RN57	222	---	---	---	---
RN28	231	RNB8	220	RN48	229	RN58	222	RN68	226	RN78	219
---	---	RNB9	230	RN49	229	RN59	222	RN69	226	RN79	220
RN30	223	RN40	224	RN50	224	RN60	226	RN70	226	RN80	229
										RN81	226
										RN82	229
										RN83	229
										RN84	219
										RN85	220
										RN86	220
										RN87	219
										RN88	219
										RN89	220
										RN90	220

RN

SYMBOL NO.	INDEX NO.	SYMBOL NO.	INDEX NO.	SYMBOL NO.	INDEX NO.	SYMBOL NO.	INDEX NO.	SYMBOL NO.	INDEX NO.	SYMBOL NO.	INDEX NO.
RN91	220	RNI01	220	RNI11	232	RNI22	218	SWI	137	THI	156
RN92	223	RNI02	223	RNI12	223	RNI23	218	SWI	138		
RN93	223	RNI03	223	RNI13	223	RNI24	218				
RN94	231	---	---	RNI14	223	RNI25	218				
RN95	220	RNI05	223	RNI15	223						
RN96	220	RNI06	223	RNI16	223	RN220	223				
RN97	229	RNI07	223	RNI17	223	RN966	222				
RN98	223	RNI08	223	RNI18	223						
RN99	227	RNI09	223	RNI19	223						
RNI00	223	RNI10	223	RNI20	223						
										ZDI	148
										ZD2	148
										ZD3	153
										ZD4	153

RESISTOR

SW

TH

ZD

29.BICU BOARD (D010)

Index No.	Part No.	Description	Q'ty Per Assembly
*	D010 5101	BICU Board	
1	B040 5506	IC: IMAC_K: RF5C789	1
2	B121 5501	IC: SCRATCH: KS6M2U1651CBP	1
3	B238 5503	IC: TRIO2	1

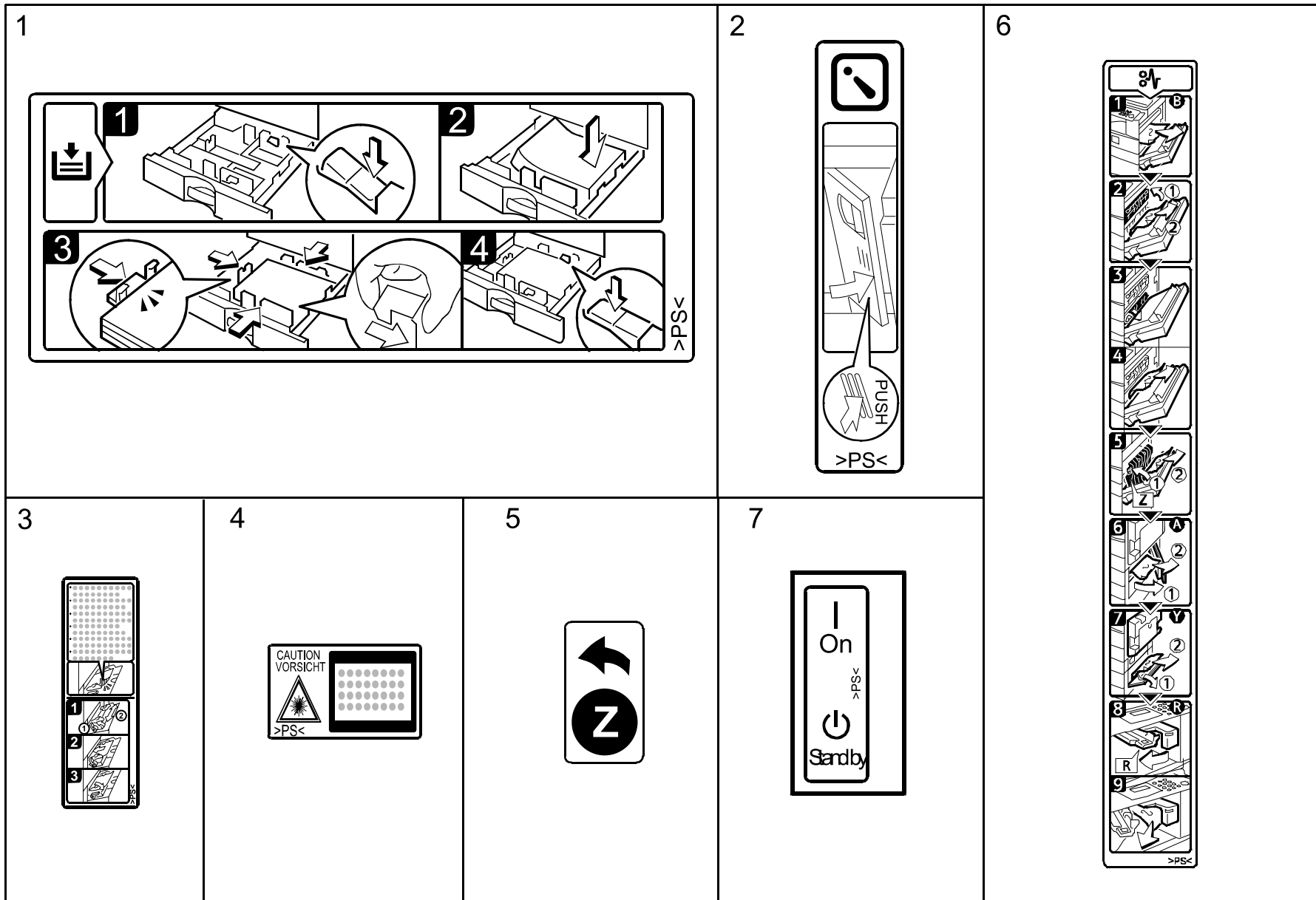
Index No.	Part No.	Description	Q'ty Per Assembly
101	1102 4201	Connector: 292132-2	1
102	1102 4202	Connector: 292132-3	3
103	1102 4203	Connector: 292132-4	2
104	1102 4205	Connector: 292132-6	1
105	1102 5301	Connector	1
106	1102 5302	Connector	1
107	1102 5303	3.5: Connector: ST: 4P	1
108	1102 6295	Connector: 53324-0260	2
109	1102 6297	Connector: 53324-0460	1
110	1102 6299	Connector: 53324-0660	1
111	1102 6307	Connector: 53324-1460	1
112	1102 6403	Connector: 53313-3065	1
113	1102 8471	Connector: 55447-0780	1
114	1102 8472	Connector: 55447-0880	1
115	1102 8477	Connector: 55447-1380	1
116	1102 8661	Connector: IC CARD: FCN-564P068-G/SC-4V	1
117	1102 9120	Connector: 2-292208-2	1
118	1102 9527	Connector: 55454-1570	1
119	1102 9548	Connector: TX25-100P-8ST-H1E	1
120	1103 3179	Connector: FH12-50S-0.5SV(89)	1
121	1103 3661	Connector: TX25-40P-8ST-H1E	1
122	1103 3733	Connector: SLD5R-1LF	1
123	1103 3984	Connector	1
124	1103 3987	Connector	1
125	1103 3988	Connector	2
126	1103 3989	Connector	1
127	1103 3990	Connector	2
128	1103 3991	Connector	2
129	1103 3994	Connector	1
130	1103 3996	Connector	1
131	1103 3997	Connector	1
132	1103 3999	Connector	1
133	1103 4015	Connector	1
134	1103 4016	Connector	1
135	1104 0588	IC Socket: 1-390262-2	1

Index No.	Part No.	Description	Q'ty Per Assembly
136	1107 1082	Fuse: SST 1	2
137	1107 1095	Fuse: SST 2	1
138	1204 2476	Switch: SKQRAAE010	1
139	1400 0688	Transistor DTC143ZUA	1
140	1400 0702	Transistor: DTD143EK	1
141	1400 0855	Transistor: 2SA1235A-T112	1
142	1400 0962	Transistor: 2SB1412	1
143	1400 1059	Transistor: DTA124EUA	2
144	1400 1241	Transistor: SRC1206UF	9
145	1400 1255	Transistor: 2SA1979UF-Y	3
146	1401 1174	FET: 2SK3054-A	3
147	1401 1175	FET: HAT1043M-E	1
148	1402 1277	Diode: 12V: 500MW	2
149	1402 1336	Diode: 1SS355	9
150	1402 1337	Diode: RB731U	1
151	1402 1459	Diode: RB706F-40	1
152	1402 1565	Diode: RB521S-30	1
153	1402 1662	Diode: PTZ6.2B	2
154	1402 1854	Diode: RF071M2S	1
155	1403 0996	LED: SML-310VT	2
156	1404 0360	Thermistor: 103HT	1
157	1407 1535	Driver: TD62308APG(5)	1
158	1407 2187	TTLIC: SN74LS07NS	2
159	1407 2219	Driver: TD62003APG(5)	3
160	1407 5347	CMOS Logic: SN74LV08APW	1
161	1407 5351	CMOS Logic: SN74LV14APW	3
162	1407 5352	IC: 74LVC32A: TSSOP	1
163	1407 5353	CMOS Logic: SN74LV244APW	2
164	1407 5360	Motor Control IC: MTD2006G-3072	2
165	1407 5361	IC: 74LVC157A: TSSOP	1
166	1407 5364	IC: SN74AHCT244PW	1
167	1407 5367	IC: 74LVC74A: TSSOP	1
168	1407 5368	IC: 74LVC245A: TSSOP	2
169	1407 5382	CMOS Logic: SN74LV373APW	2
170	1407 5454	CMOS Logic: SN74LV86APW	1

Index No.	Part No.	Description	Q'ty Per Assembly
171	1407 5469	CMOS Logic: SN74LV07APW	2
172	1407 6032	IC: SN74LV161APW	1
173	1407 6525	CPU: HD6412320VF25V	1
174	1407 6584	Motor Control IC: STK672-400B-E	1
175	1407 6809	CMOS Logic: TC7SET126FU	1
176	1408 1204	Motor Control IC: TA8083PG(5,RICO)	2
177	1408 1550	Operational Amplifier: LM2902PW	1
178	1408 1669	Series Regulator: R1170H331B-FB	1
179	1408 1850	Series Regulator: R1170H181B-FB	1
180	1408 1929	IC: R3112Q441A-FA	1
181	1408 2029	Comparator: LM2901PW	1
182	1408 2537	Series Regulator: KIA7805API/P	1
183	1408 2540	Series Regulator: KIA7812API/P	1
184	1503 0993	Crystal Oscillator: 14.7456MHZ	1
185	1600 1418	Resistor: 1Ω: ±5%: 1W	4
186	1600 1682	Resistor: 68Ω: ±5%: 2W	2
187	1601 5442	Resistor: 220Ω: ±5%: 2W	1
188	1601 5492	Resistor: 47Ω: ±5%: 2W	1
189	1601 5698	Resistor: 300 Ω: ±5%: 2W	1
190	1604 2114	Capacitor: 47UF: 50V	2
191	1604 5375	Capacitor: 220UF: ±20%: 50V	1
192	1605 1137	Capacitor: 470pF: ±10%: 50V	18
193	1605 1148	Capacitor: 0.1UF: +80-20%: 50V	17
194	1605 1190	Capacitor: 0.022UF: ±10%: 50V	1
195	1605 1200	Capacitor: 10PF: ±0.5pF: 50V	1
196	1605 1201	Capacitor: 12pF: ±5%: 50V	16
197	1605 1205	Capacitor: 33pF: ±5%: 50V	10
198	1605 1206	Capacitor: 47pF: ±5%: 50V	40
199	1605 1208	Capacitor: 100pF: ±5%: 50V	4
200	1605 1209	Capacitor: 150pF: ±5%: 50V	1
201	1605 1211	Capacitor: 220pF: ±10%: 50V	5
202	1605 1212	Capacitor: 470pF: ±10%: 50V	9
203	1605 1214	Capacitor: 1000pF: ±10%: 50V	53
204	1605 1216	Capacitor: 2200pF: ±10%: 50V	15
205	1605 1221	Capacitor: 0.1UF: +80-20%: 16V	73

Index No.	Part No.	Description	Q'ty Per Assembly
206	1605 1240	Capacitor: 0.01UF: ±10%: 25V	3
207	1605 1285	Capacitor: 3300pF: ±10%: 50V	2
208	1605 1293	Capacitor: 27pF: ±5%: 50V	3
209	1605 1295	Capacitor: 10UF: +80-20%: 10V	5
210	1605 1303	Capacitor: 0.01UF: +80-20%: 50V	48
211	1605 1347	Capacitor: 1UF: +80-20%: 16V	2
212	1605 1447	Capacitor: 470pF: ±5%: 50V	20
213	1605 1453	Capacitor: 0.022UF: ±10%: 16V	1
214	1605 1544	Capacitor: 330pF: ±5%: 50V	2
215	1607 0069	Filter: BL02RN2R1M2B	1
216	1607 1002	Filter: NFE31PT222Z1E9B	1
217	1607 1107	Filter: LC0805L104M	1
218	1609 0005	Resistor Array: 33#-#: ±5%: 1/16W: 8Number	11
219	1609 0006	Resistor Array: 10K#-#: ±5%: 1/16W: 8Number	8
220	1609 0007	Resistor Array: 68#-#: ±5%: 1/16W: 8Number	18
221	1609 0019	Resistor Array: 0#-#: 1608: 8##	1
222	1609 0027	Resistor Array: 100K#-#: ±5%: 1/16W: 8##	8
223	1609 0096	Resistor Array: 10KΩ: ±5%: 1/16W: 4Number	31
224	1609 0098	Resistor Array: 33Ω: ±5%: 1/16W: 4Number	5
225	1609 0101	Resistor Array: 47Ω: ±5%: 1/16W: 4Number	4
226	1609 0102	Resistor Array: 100Ω: ±5%: 1/16W: 4Number	7
227	1609 0111	Resistor Array: 1KΩ: ±5%: 1/16W: 4Number	2
228	1609 0112	Resistor Array: 100KΩ: ±5%: 1/16W: 4Number	1
229	1609 0114	Resistor Array: 68Ω: ±5%: 1/16W: 4Number	9
230	1609 0115	Resistor Array: 150 Ω: ±5%: 1/16W: 4Number	1
231	1609 0134	Resistor Array: 4.7K Ω: ±5%: 1/16W: 4Number	7
232	1609 0135	Resistor Array: 3.3K Ω: ±5%: 1/16W: 4Number	2
233	1633 0000	Resistor: 0Ω: 2125	6
234	1634 0000	Resistor: 0Ω: 1608	19
235	1640 0101	Capacitor: 100UF: ±20%: 10V	2
236	1640 5100	Capacitor: 10UF: ±20%: 50V	4
237	1640 5101	Capacitor: 100UF: ±20%: 50V	2
238	1640 5470	Capacitor: 47UF: ±20%: 50V	5
239	1650 2620	Chip Resistor: 62#-#: ±5%: 1/4W: 3216	1
240	1650 3103	Resistor: 10K Ω: ±5%: 1/8W: 2125	1

Index No.	Part No.	Description	Q'ty Per Assembly
241	1650 3122	Resistor: 1.2K Ω: ±5%: 1/8W: 2125	3
242	1650 3201	Resistor: 200 Ω: ±5%: 1/8W: 2125	1
243	1650 3332	Resistor: 3.3K Ω: ±5%: 1/8W: 2125	2
244	1650 4100	Resistor: 10 Ω: ±5%: 1/10W: 1608	2
245	1650 4101	Resistor: 100 Ω: ±5%: 1/10W: 1608	4
246	1650 4102	Resistor: 1K Ω: ±5%: 1/10W: 1608	4
247	1650 4103	Resistor: 10K Ω: ±5%: 1/10W: 1608	24
248	1650 4104	Resistor: 100K Ω: ±5%: 1/10W: 1608	2
249	1650 4220	Resistor: 22 Ω: ±5%: 1/10W: 1608	3
250	1650 4222	Resistor: 2.2K Ω: ±5%: 1/10W: 1608	6
251	1650 4330	Resistor: 33 Ω: ±5%: 1/10W: 1608	7
252	1650 4470	Resistor: 47 Ω: ±5%: 1/10W: 1608	1
253	1650 4472	Resistor: 4.7K Ω: ±5%: 1/10W: 1608	4
254	1650 4680	Resistor: 68 Ω: ±5%: 1/10W: 1608	15
255	1650 5100	Resistor: 10 Ω: ±5%: 1/16W: 1005	2
256	1650 5101	Resistor: 100 Ω: ±5%: 1/16W: 1005	9
257	1650 5102	Resistor: 1K Ω: ±5%: 1/16W: 1005	42
258	1650 5103	Resistor: 10K Ω: ±5%: 1/16W: 1005	105
259	1650 5104	Resistor: 100K Ω: ±5%: 1/16W: 1005	9
260	1650 5105	Resistor: 1M Ω: ±5%: 1/16W: 1005	2
261	1650 5163	Resistor: 16K Ω: ±5%: 1/16W: 1005	4
262	1650 5201	Resistor: 200 Ω: ±5%: 1/16W: 1005	4
263	1650 5203	Resistor: 20K Ω: ±5%: 1/16W: 1005	2
264	1650 5222	Resistor: 2.2K Ω: ±5%: 1/16W: 1005	9
265	1650 5243	Resistor: 24K Ω: ±5%: 1/16W: 1005	6
266	1650 5244	Resistor: 240K Ω: ±5%: 1/16W: 1005	1
267	1650 5330	Resistor: 33 Ω: ±5%: 1/16W: 1005	48
268	1650 5331	Resistor: 330 Ω: ±5%: 1/16W: 1005	7
269	1650 5332	Resistor: 3.3K Ω: ±5%: 1/16W: 1005	5
270	1650 5391	Resistor: 390 Ω: ±5%: 1/16W: 1005	1
271	1650 5470	Resistor: 47 Ω: ±5%: 1/16W: 1005	4
272	1650 5472	Resistor: 4.7K Ω: ±5%: 1/16W: 1005	17
273	1650 5511	Resistor: 510 Ω: ±5%: 1/16W: 1005	1
274	1650 5622	Resistor: 6.2K Ω: ±5%: 1/16W: 1005	2
275	1650 5680	Resistor: 68 Ω: ±5%: 1/16W: 1005	41



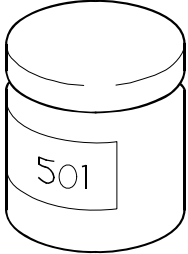
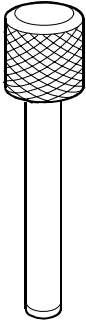
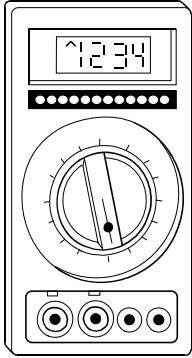
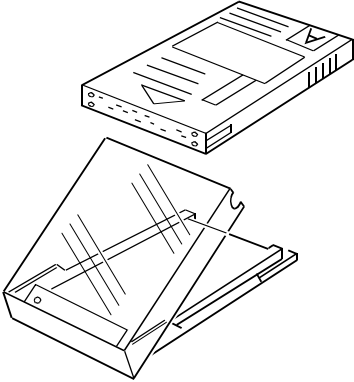
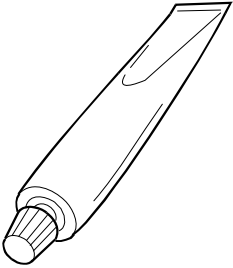

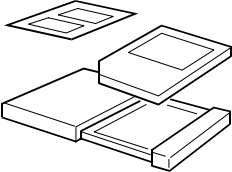
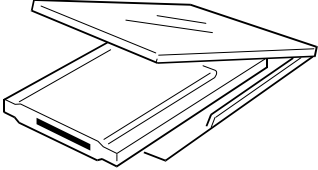
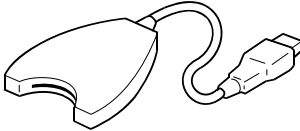
30.DECAL AND DOCUMENT (D010)

Rev. 04/30/2009

Index No.	Part No.	Description	Q'ty Per Assembly
1	D019 2892	Decal: Paper Set Direction: Paper Tray	1
2	B024 2737	Decal: Cover: Vertical Transport	1
3	B039 2633	Decal - By-pass Feed	1
4	G029 1980	Decal - LD	1
5	B043 4692	Grip Decal	1
6	D010 4691	Decal [TSB#002]	1
7	D0107450	Decal On/Standby	1

Index No.	Part No.	Description	Q'ty Per Assembly

31.SPECIAL TOOLS (D010)

<p>1</p> 	<p>2</p> 	<p>3</p> 	<p>4</p> 	<p>5</p> 
<p>6</p> 	<p>7</p> 	<p>8</p> 	<p>9</p> 	

31.SPECIAL TOOLS (D010)

Index No.	Part No.	Description	Q'ty Per Assembly
1	5203 9502	Grease 501	1
2	A006 9104	Adjusting Scanner Pin (4pcs/set)	1
3	VSSM 9000	Digital Multimeter-fluke187	1
4	N803 6701	Flash Memory Card-4mb	1
5	A257 9300	Grease - Barrierta S552R	1
6	A292 9500	Test Chart - S5S (10 Pcs/set)	1
7	B645 5010	SD-Card: Ass'y	1
8	B645 6700	SD-Card: Adapter: BN-SDAA2	1
9	B645 6800	SD-Card: USB: Writer: BN-SDCE2	1

Index No.	Part No.	Description	Q'ty Per Assembly

D010
PARTS INDEX

This section instructs you as to the numbers and names of parts on this machine.

PM Parts Index

Rev. 07/06/2017

Section Name	Part No.	Description in Service Manual	Description in Parts Catalog	Q'ty Per Assembly	Page and Index No.
1ST PAPER FEED SECTION (D010)	A267 2751	Paper Feed Roller	Paper Feed Roller	1	31 - 7
2ND PAPER FEED SECTION 1 (D010)	A267 2751	Paper Feed Roller	Paper Feed Roller	1	33 - 8
1st PAPER TRAY (D010)	D018 2831	Friction Pad	Friction Pad: Adhesion	1	25 - 17
2nd PAPER TRAY (D010)	B039 3820	Transfer Roller	Transfer Roller	1	29 - 25
	D018 2831	Friction Pad	Friction Pad: Adhesion	1	27 - 17
PCU 2 (D010)	B039 2335	Separation Pawl	Pickoff Pawl	2	39 - 14
	AD04 2059	Cleaning Blade	Cleaning Blade Ass'y	1	39 - 15
	B039 9510	Drum	OPC Drum	1	39 - 17
	AD02 7018	Charge Roller	Roller: Charge: A3	1	39 - 21
	AD04 2058	Cleaning Brush	Charge Cleaner Brush Roller	1	39 - 22
FUSING UNIT (D010)	AW10 0073	Thermistor	Thermistor [TSB#007]	2	43 - 3
	B259 4015	Cleaning Roller	Fusing Cleaning Roller	1	43 - 6
	AE04 4062	Hot Roller Stripper Pawls	Stripper Pawls	5	43 - 9
	AE01 1113	Hot Roller	Hot Roller MM30	1	43 - 20
	D010 4071	D0104071	Pressure Roller: Dia30	1	43 - 22
	G029 4174	Pressure-Roller Bushing	Pressure Roller Bushing	2	43 - 27

Parts Index

Part No.	Description	Page and Index No.
D010 1014	Stay: Scanner: Right Lower	59 - 15
D010 1016	Bracket: C	59 - 6
D010 1058	Shaft: Door: Right Rear: Ass'y	33 - 15
D010 1069	Support Bracket	13 - 17
D010 1073	Stopper: Lever: Door: Right	59 - 16
D010 1080	Discharge Lamp	19 - 3
D010 1081	Supporting Plate: Frame: C	59 - 17
D010 1089	Grip Cover	33 - 1
D010 1102	Fan Motor Bracket	59 - 9
D010 1106	Fan Motor - DC 2.88w	59 - 8
D010 1106	Fan Motor - DC 2.88w	59 - 20
D010 1107	Duct Seal - Guide	7 - 8
D010 1108	Duct Seal - Sub	39 - 19
D010 1109	Duct Seal - Exit	7 - 6
D010 1110	Front Main Duct	59 - 18
D010 1111	Rear Main Duct	59 - 19
D010 1112	Duct Cover	7 - 7
D010 1113	Sub Duct	39 - 20
D010 1127	Brushless Motor - DC 25W	51 - 1
D010 1142	Housing - Paper Feed	53 - 1
D010 1186	Magnetic Clutch	51 - 4
D010 1191	Gear - 84Z/65Z	53 - 12
D010 1192	Gear - 23Z	33 - 3
D010 1193	Pulley - 26T	53 - 11
D010 1194	Gear - 23Z	33 - 5
D010 1195	Pulley - 26T	53 - 4
D010 1196	Gear - 67Z/41Z	53 - 10
D010 1198	Drive Shaft- Manual Feed	33 - 4
D010 1246	Rear Cover - NA	9 - 5
D010 1249	Rear Cover - EU	9 - 5
D010 1284	Tray: Exit	7 - 1
D010 1301	Fusing Exit Cover	7 - 11
D010 1302	Left Scanner Cover - EU	7 - 3
D010 1304	Right Scanner Cover - EU	7 - 5
D010 1308	Front Door - EU	9 - 17

Part No.	Description	Page and Index No.
D010 1309	Right Front Cover - Upper EU	9 - 11
D010 1310	Right Front Cover - Upper NA	9 - 11
D010 1313	Cap - IC Card	9 - 7
D010 1314	Cap - Application	9 - 6
D010 1315	Left Cover - EU	9 - 1
D010 1316	Left Cover - NA	9 - 1
D010 1332	Left Scanner Cover - NA	7 - 3
D010 1335	Right Scanner Cover NA	7 - 5
D010 1338	Front Door (NA)	9 - 17
D010 1346	Right Rear Cover - EU	9 - 9
D010 1347	Right Rear Cover - NA	9 - 9
D010 1349	Cap - Paper Bank	9 - 8
D010 1350	Front Door - EU	9 - 12
D010 1351	Front Cover - NA	9 - 12
D010 1353	Exit Cover - EU	7 - 2
D010 1354	Exit Cover - Na	7 - 2
D010 1356	Exit Tray - NA	9 - 3
D010 1357	Exit Tray - EU	9 - 3
D010 1369	Rear Exit Cover - EU	7 - 9
D010 1370	Rear Exit Cover - NA	7 - 9
D010 1371	Sorter Cover - EU	7 - 10
D010 1372	Sorter Cover - NA	7 - 10
D010 1412	Operation Panel - EU	11 - 4
D010 1522	Sheet: Power Source: EU	11 - 2
D010 1751	1st Scanner Unit	15 - 12
D010 1763	Xenon Lamp Stabilizer	15 - 16
D010 1791	Xenon Lamp: Ass'y	15 - 10
D010 1804	Harness - FFC	13 - 13
D010 1808	Lens Unit Cover	13 - 8
D010 1812	Lens Unit	13 - 9
D010 1876	Imaging Unit	19 - *
D010 1916	Laser Diode Unit	19 - 15
D010 1931	Polygon Mirror Motor - DC 12w	19 - 16
D010 2531	1st Paper Tray Unit	23 - *
D010 2532	Paper Tray: No.2: Ass'y	25 - *

Part No.	Description	Page and Index No.
D010 2550	Spacer: Link	23 - 9
D010 2550	Spacer: Link	25 - 9
D010 2565	Guide Roller	31 - 9
D010 2572	Guide Plate - Driven Roller	27 - 16
D010 2587	Bracket: Guide Plate: No.2	31 - 10
D010 2592	Guard: Drive: Paper Feed: Right	53 - 13
D010 2602	Manual Feed Unit: Ass'y	21 - *
D010 2616	Magnetic Clutch	53 - 5
D010 2617	Magnetic Clutch	53 - 6
D010 2618	Magnetic Clutch: Manual Feed: 0.25N.M	53 - 2
D010 2618	Magnetic Clutch	53 - 16
D010 2631	Timing Belt - S3M,315	53 - 3
D010 2632	Stopper: Right	33 - 17
D010 2660	Bracket - Photointerruptor	31 - 13
D010 2663	Bracket - Photointerruptor	29 - 12
D010 2682	Drive Roller - Vertical Transport	31 - 12
D010 2728	Cover - Vertical Transport	33 - 13
D010 2731	Right Front Cover - 2nd Tray	9 - 10
D010 2733	Upper Guide Plate - Entrance	33 - 7
D010 2733	Upper Guide Plate - Entrance	33 - 8
D010 2746	Lower Guide Plate - Entrance	33 - 14
D010 2754	Shaft - Paper Feed Roller	29 - 6
D010 2800	Guide Plate - Paper Feed Roller 1	29 - 5
D010 2807	Shaft Holder	29 - 4
D010 2808	Guide Plate - Paper Feed Roller 2	31 - 6
D010 2828	Guide Plate: Pressure Release	31 - 11
D010 2828	Guide Plate: Pressure Release	29 - 10
D010 2850	Paper Tray	23 - 34
D010 2850	Paper Tray	25 - 34
D010 2853	End Fence	25 - 4
D010 2853	End Fence	23 - 4
D010 2854	Shaft - Tray Bottom Plate	25 - 15
D010 2854	Shaft - Tray Bottom Plate	23 - 15
D010 2856	Lift Bracket	25 - 16
D010 2856	Lift Bracket	23 - 16

Part No.	Description	Page and Index No.
D010 2861	Tray Bottom Plate	25 - 8
D010 2861	Tray Bottom Plate	23 - 8
D010 2866	Rears Slider - Upper	25 - 42
D010 2866	Rears Slider - Upper	23 - 42
D010 2867	Font Slider - Upper	25 - 1
D010 2867	Font Slider - Upper	23 - 1
D010 2870	Link - Paper Size Sensor	25 - 20
D010 2870	Link - Paper Size Sensor	23 - 20
D010 2873	Front Slider - Base	23 - 2
D010 2873	Front Slider - Base	25 - 2
D010 2874	Rear Slider - Base	25 - 40
D010 2874	Rear Slider - Base	23 - 40
D010 2875	Spring Plate - Slider	25 - 30
D010 2875	Spring Plate - Slider	23 - 30
D010 2884	Front Side Fence	25 - 3
D010 2884	Front Side Fence	23 - 3
D010 2885	Rear Side Fence	23 - 7
D010 2885	Rear Side Fence	25 - 7
D010 2892	Decal - Paper Set Direction	23 - 29
D010 2892	Decal: Paper Set Direction: Paper Tray	75 - 1
D010 2892	Decal - Paper Set Direction	25 - 29
D010 2897	Side Fence Seal	23 - 41
D010 2897	Side Fence Seal	25 - 41
D010 2900	End Fence Seal	23 - 5
D010 2900	End Fence Seal	25 - 5
D010 2951	Release Shaft - Paper Tray	23 - 24
D010 2951	Release Shaft - Paper Tray	25 - 24
D010 2953	Release Lever - Paper Tray	23 - 26
D010 2953	Release Lever - Paper Tray	25 - 26
D010 2954	Paper Tray Grip	23 - 33
D010 2954	Paper Tray Grip	25 - 33
D010 2955	Grip Holder - Paper Tray	23 - 25
D010 2955	Grip Holder - Paper Tray	25 - 25
D010 2958	Paper Tray Cover	25 - 31
D010 2958	Paper Tray Cover	23 - 31

Part No.	Description	Page and Index No.
D010 3804	Transfer Unit	27 - 9
D010 3860	Holder: Separation	27 - 40
D010 3871	Terminal - Separation	39 - 18
D010 4001	Fusing Unit - 115v	41 - *
D010 4002	Fusing Unit - 230v	41 - *
D010 4053	Fusing Unit Frame	41 - 28
D010 4070	Pressure Spring	41 - 26
D010 4071	Pressure Roller: Dia30	41 - 22
D010 4072	Fusing Exit Guide	41 - 23
D010 4073	Bushing - Fusing Cleaning Roller	41 - 36
D010 4105	Heater - 120v,600w	41 - 16
D010 4106	Heater - 120v,650w	41 - 34
D010 4107	Heater - 230v, 600w	41 - 16
D010 4108	Heater - 230v,650w	41 - 34
D010 4603	Vertical Transport Roller	45 - 1
D010 4613	Side Plate: Drive: Ass'y	47 - 36
D010 4627	Duplex Cover	47 - 28
D010 4640	Duplex Gide Plate	45 - 12
D010 4661	Rear Inner Cover - Duplex	47 - 22
D010 4662	Guide Plate - Vertical Transport	45 - 5
D010 4672	Guide: Vertical Transport: NO2	45 - 32
D010 4673	Guide: Vertical Transport: NO3	45 - 33
D010 4705	Motor Bracket	47 - 31
D010 4710	Stepper Motor - DC	47 - 2
D010 4710	Stepper Motor - DC	59 - 3
D010 4984	DC Solenoid	49 - 15
D010 5101	BICU Board	57 - 4
D010 5101	BICU Board	71 - *
D010 5200	Scanner Motor Harness	57 - 9
D010 5201	Registration Sensor Harness	57 - 25
D010 5202	Interface Harness - Registration	27 - 14
D010 5203	Main Motor Harness	57 - 28
D010 5203	Harness: Motor: Main	59 - 11
D010 5204	Discharge Lamp Harness	19 - 4
D010 5205	Door Switch Harness - Front	43 - 7

Part No.	Description	Page and Index No.
D010 5206	Density Sensor Harness	57 - 7
D010 5207	Joint Unit Harness	13 - 21
D010 5207	Harness: Joint Unit	57 - 21
D010 5207	Joint Unit Harness	57 - 24
D010 5212	Manual Feed Harness	57 - 26
D010 5216	Relay Harness - PAPER END SENSOR	29 - 8
D010 5216	Relay Harness - PAPER END SENSOR	29 - 14
D010 5216	Relay Harness - PAPER END SENSOR	31 - 15
D010 5216	Relay Harness - PAPER END SENSOR	31 - 5
D010 5217	AC Harness - Fusing EU	57 - 15
D010 5218	AC Harness - Fusing	57 - 15
D010 5219	Ground Wire	39 - 13
D010 5219	Harness: Ground Wire	59 - 13
D010 5220	Hps Harness	57 - 3
D010 5222	Harness: Scanner	57 - 2
D010 5222	Scanner Harness	17 - 2
D010 5223	Harness - Lamp Stabilizer	15 - 17
D010 5226	Harness - Main Switch	57 - 17
D010 5228	AC Harness - Dehumidifier	57 - 18
D010 5230	Harness: Power Supply Unit	57 - 19
D010 5230	Harness - Power Supply Unit	57 - 12
D010 5231	M/H Assy: Paper Size Detect	57 - 6
D010 5232	High Voltage Cable	39 - 9
D010 5232	High Voltage Cable	59 - 10
D010 5238	Relay Harness - Paper Feed Sensor	43 - 21
D010 5239	Polygon Motor Harness	19 - 13
D010 5240	Harness: Document Feeder	57 - 11
D010 5240	Harness - Document Feeder	59 - 1
D010 5241	Relay Harness - Duplex Unit	47 - 29
D010 5243	Duplex Harness	57 - 13
D010 5245	Ground Wire - Duplex	49 - 7
D010 5245	Ground Wire - Duplex	45 - 28
D010 5248	Development Sensor Harness	57 - 27
D010 5250	LDD Harness	19 - 14
D010 5250	Harness: LDD	57 - 8

Part No.	Description	Page and Index No.
D010 5252	Relay Harness - Paper End Sensor	47 - 11
D010 5253	Sensor Relay Harness - Duplex	49 - 10
D010 5255	Harness - 1-bin Tray	57 - 10
D010 5255	Harness - 1-bin Tray	59 - 7
D010 5270	Ground Wire - Fusing Unit	43 - 17
D010 5710	Power Pack	59 - 12
D010 5742	Power Supply Cord - NA	57 - 22
D010 5743	Power Supply Cord - EU	57 - 22
D010 5810	Bracket - BICU	57 - 1
D010 5822	Guide: FFC	17 - 21
D010 5825	Bracket - Power Supply Cord	57 - 14
D010 5831	ADF Plug Bracket	59 - 2
D010 5841	Bracket - Power Pack	59 - 14
D010 5861	Bracket: Connector: Joint Unit	13 - 20
D010 6500	Operating Instructions - System EU	7 - 14
D010 6507	Operating Instructions - System NA	7 - 14
D010 6600	Operating Instructions - Copy EU	7 - 15
D010 6607	Operating Instructions - Copy NA	7 - 15
D010 7008	Tray Heater Ass'y(120V)	33 - 18
D010 7009	Heater - 9W (120V)	13 - 7
D010 7018	Tray Heater Ass'y(230V)	33 - 18
D010 7019	Heater - 9W (230V)	13 - 7
D010 7410	Model Name Plate: D010: GES: AA	9 - 18
D010 7411	Model Name Plate: D010: SVN	9 - 18
D010 7412	Model Name Plate: D010: GES: NA	9 - 18
D010 7420	Model Name Plate: D010: GES	9 - 18
D010 7421	Model Name Plate: D010: NAS	9 - 18
D010 7422	Model Name Plate: D010: REX	9 - 18
D010 7424	Model Name Plate: D010: LAN	9 - 18
D010 7426	Model Name Plate: D010: INF	9 - 18
D010 7427	Model Name Plate: D010: RIC	9 - 18

Part No.	Description	Page and Index No.
A006 9104	Adjusting Scanner Pin (4pcs/set)	77 - 2
A184 3420	Bottle Chuck	39 - 3
A184 3421	Chuck Shaft	39 - 4
A193 1793	Scanner Home Sensor Stopper	13 - 5
A222 2724	External Circlip - Mm8	23 - 32
A222 2724	External Circlip - Mm8	25 - 32
A232 2374	Spur	41 - 7
A232 8561	Sheet: Accessory: Safety: EU: RAI	7 - 12
A250 1388	Spring	45 - 21
A250 1752	Exposure Glass	13 - 10
A257 9300	Grease - Barrierta S552R	77 - 5
A267 2751	Paper Feed Roller	29 - 7
A267 2751	Paper Feed Roller	31 - 8
A267 2754	Shaft - Paper Feed Roller	31 - 7
A267 2770	Vibrating Plate	55 - 25
A267 2794	Sub Pressure Lever	55 - 9
A267 2803	Feeler - Paper End Sensor	31 - 3
A267 2803	Feeler - Paper End Sensor	29 - 3
A267 2834	Pressure Spring - Friction Pad	25 - 18
A267 2834	Pressure Spring - Friction Pad	23 - 18
A267 2840	Shaft - DC Motor	55 - 18
A267 2845	Bushing - DC Motor Shaft	55 - 16
A267 2846	Holder - Spring	55 - 14
A267 2847	Bushing - Motor Shaft	55 - 13
A267 2849	Shutter - Photointerruptor	55 - 10
A267 2857	Spring Plate - Side Fence	25 - 39
A267 2857	Spring Plate - Side Fence	23 - 39
A267 2878	Spring Plate - Grounding	25 - 11
A267 2878	Spring Plate - Grounding	23 - 11
A267 2899	Sponge - Paper Feed Tray	25 - 12
A267 2899	Sponge - Paper Feed Tray	23 - 12
A267 2917	Base Pad	23 - 22
A267 2917	Base Pad	25 - 22
A267 3440	Development Joint	35 - 2
A267 3556	Chuck Spring - Toner Bottle	39 - 7

Part No.	Description	Page and Index No.
A292 9500	Test Chart - S5S (10 Pcs/set)	77 - 6
B024 2737	Decal: Cover: Vertical Transport	75 - 2
B024 2737	Decal - Vertical Transport Cover	33 - 12
B024 2765	Pressure Lever Stopper	55 - 7
B024 2839	Harness Cover - Paper Feed	55 - 22
B031 2836	Clip: SHAFT	55 - 20
B039 1068	ADF Bracket	13 - 18
B039 1082	Door Switch Bracket	43 - 6
B039 1088	Sheet - Duct	19 - 5
B039 1090	Door Switch Lever - 1	43 - 16
B039 1092	Door Switch Lever - 3	43 - 14
B039 1093	Door Switch Lever - 4	43 - 13
B039 1094	Door Switch Lever - 5	43 - 11
B039 1095	Door Switch Lever - 6	43 - 10
B039 1096	Door Switch Lever - 7	43 - 8
B039 1098	Door Switch Spring	43 - 12
B039 1099	Door Switch Lever - 2	43 - 15
B039 1123	Door Switch Lever - 8	43 - 9
B039 1130	Development Sensor Bracket	27 - 20
B039 1135	Development Terminal	51 - 8
B039 1141	Shaft - Paper Feed Frame	39 - 6
B039 1144	Bushing - 8x16x9	51 - 7
B039 1145	Coupled Gear - 34/63z (01)	51 - 14
B039 1146	Coupled Gear - 32/71z (04)	51 - 15
B039 1148	Drum Shaft (02)	51 - 13
B039 1154	Coupled Gear - 37/97z (05)	51 - 18
B039 1155	Gear/pulley - 61/34Z (11)	51 - 16
B039 1156	Coupled Gear - 20/49z (12)	51 - 12
B039 1162	Timing Belt - 226XL	51 - 3
B039 1163	Pulley - 23Z	43 - 26
B039 1165	Coupled Gear - 49/59/38z (08)	51 - 22
B039 1166	Gear - 37Z (07)	51 - 23
B039 1167	Gear - 22Z (09)	51 - 21
B039 1168	Gear - 32Z (10)	51 - 20
B039 1170	Gear - 63Z	51 - 5

Part No.	Description	Page and Index No.
B039 1173	Gear - 78Z (06)	51 - 19
B039 1303	Rear Scanner Cover (EU)	7 - 4
B039 1361	Magnet Catch	9 - 16
B039 1362	Main Switch Cover	9 - 13
B039 1364	Rivet - M7	9 - 21
B039 1365	Sheet: Operation Instructions	9 - 15
B039 1366	Cover Magnet	9 - 14
B039 1367	Rivet - M6	7 - 16
B039 1367	Rivet - M6	9 - 20
B039 1469	Ground Plate	11 - 7
B039 1658	Rear Scale Bracket	13 - 16
B039 1662	Front Scanner Frame	17 - 19
B039 1663	Rear Scanner Frame	17 - 20
B039 1666	Bracket - Operation Panel	13 - 12
B039 1668	Bracket - Stabilizer Harness	17 - 13
B039 1670	Scanner Drive Motor - DC3.6V 2.88W	17 - 15
B039 1683	Tension Spring - Stepper Motor	17 - 17
B039 1692	Pulley - 37Z	17 - 12
B039 1694	Pulley - 37/41Z	17 - 10
B039 1695	Flange - Pulley	17 - 9
B039 1697	Timing Belt - 1058.25XL	17 - 7
B039 1701	Bracket - Idler	17 - 4
B039 1703	Pulley - 37Z	17 - 3
B039 1704	Spring - Timing Pulley	17 - 5
B039 1710	Left Scanner Bracket	13 - 3
B039 1712	Right Scanner Bracket	13 - 14
B039 1758	Timing Belt Holder - Front	15 - 11
B039 1759	Timing Belt Holder - Rear	15 - 13
B039 1781	2nd Mirror Holder	15 - 2
B039 1784	Scanner Drive Belt	15 - 6
B039 1785	Scanner Drive Pulley	15 - 3
B039 1787	2nd Mirror	15 - 1
B039 1790	Tension Spring	15 - 8
B039 1905	Adjusting Plate	19 - 2
B039 1942	Cylindrical Lens Holder	19 - 10

Part No.	Description	Page and Index No.
B039 1953	2nd Mirror Holder	19 - 18
B039 1954	Holder - Sync Detector Mirror	19 - 11
B039 1961	Shield Glass	19 - 6
B039 1971	Optical Housing Cover	19 - 12
B039 2272	Recycled Toner Coil	37 - 5
B039 2274	Recycled Toner Plate	37 - 7
B039 2276	Rear Bushing - Toner Coil	37 - 9
B039 2287	Charge Roller Spring	37 - 19
B039 2288	Cam - Cleaning Blade	37 - 16
B039 2292	Front Pressure Arm - Charge Roller	37 - 20
B039 2293	Pin - Front Pressure Arm	37 - 4
B039 2295	Rear Pressure Arm - Charge Roller	37 - 18
B039 2312	Shutter Spring	37 - 2
B039 2321	Front PCU Cover	37 - 6
B039 2329	Spacer - M3	37 - 24
B039 2335	Pickoff Pawl	37 - 14
B039 2343	Drum Shutter	37 - 3
B039 2350	Drum Holder	37 - 10
B039 2361	Front Side Plate - Drum	35 - 3
B039 2362	Drum Shutter Gear	35 - 5
B039 2367	Drum Shutter Spring	35 - 4
B039 2382	Quenching Lamp Terminal	39 - 14
B039 2558	Driven Roller	27 - 17
B039 2558	Driven Roller	45 - 4
B039 2560	Registration Cleaning Mylar	27 - 15
B039 2567	Guide - Right Registration Roller	27 - 12
B039 2570	Registration Feeler	27 - 11
B039 2575	Bracket - Registration Roller	27 - 1
B039 2578	Grounding Plate	39 - 11
B039 2610	Bracket - Paper End Sensor	47 - 10
B039 2611	Feeler - Paper End Sensor	47 - 13
B039 2619	By-pass Feed Table	21 - 14
B039 2620	Paper Guide - Extension	21 - 11
B039 2621	Paper Guide	21 - 12
B039 2628	Bottom Plate Pad	21 - 2

Part No.	Description	Page and Index No.
B039 2629	Stay - Tray Bottom Plate	21 - 10
B039 2630	Tray Bottom Plate	21 - 4
B039 2631	Front Side Fence	21 - 1
B039 2632	Rear Side Fence	21 - 3
B039 2633	Decal - By-pass Feed	21 - 17
B039 2633	Decal - By-pass Feed	75 - 3
B039 2637	Rack - Front Side Fence	21 - 6
B039 2638	Rack - Rear Side Fence	21 - 5
B039 2643	Link - By-pass Feed Table	21 - 16
B039 3060	Development Roller Gear	35 - 12
B039 3062	Idler Gear - 16z	35 - 9
B039 3245	Gear - 15Z	35 - 11
B039 3360	Cam - Handle	39 - 2
B039 3381	Cover: Toner Bottle: Ass'y	39 - 12
B039 3392	Guide Plate - Toner Supply Unit	39 - 15
B039 3395	Ground Plate - Toner Supply Unit	39 - 17
B039 3820	Transfer Roller	27 - 25
B039 3859	Guide Plate: Transfer: Upper	27 - 39
B039 3861	Electrode Plate: Separation	27 - 41
B039 3863	Quenching Terminal Plate	27 - 32
B039 3864	Quenching Terminal Plate-front	27 - 35
B039 3865	Transfer Terminal Plate	27 - 36
B039 3866	Pressure Cover	27 - 38
B039 3867	Roller - Transfer Unit	27 - 31
B039 3870	Terminal - Transfer	39 - 10
B039 3891	ID Sensor Cover	27 - 27
B039 4102	Fusing Exit Guide	41 - 1
B039 4114	Rear Ground Plate	41 - 32
B039 4116	Ground Plate - Fusing Unit	43 - 18
B039 4117	Discharge Brush	41 - 31
B039 4118	Front Ground Plate	41 - 4
B039 4120	Thermostat	41 - 5
B039 4135	Pressure Roller Lever	41 - 25
B039 4168	Stripper Pawls stopper	41 - 33
B039 4170	Stripper Pawls Roller	41 - 29

Part No.	Description	Page and Index No.
B039 4171	Gear - 41Z	41 - 18
B039 4459	Exit Roller Holder - Inner	43 - 38
B039 4473	Ring: Exit Roller	43 - 4
B039 4480	Stepped Screw - M5	45 - 31
B039 9510	OPC Drum	37 - 17
B040 5506	IC: IMAC_K: RF5C789	71 - 1
B043 2554	Registration Guide Spacer	27 - 33
B043 2554	Registration Guide Spacer	27 - 42
B043 4609	Duplex Lower Stay	47 - 1
B043 4624	Pulley - 30Z	47 - 18
B043 4631	Gear - 38Z	47 - 26
B043 4632	Coupled Gear 25/59z	47 - 30
B043 4633	Gear - 22Z	47 - 24
B043 4642	Stopper - Guide Plate	45 - 30
B043 4645	Spring - 2n	45 - 18
B043 4646	Upper Spring Plate - Driven Roller	45 - 19
B043 4647	Lower Spring Plate - Driven Roller	45 - 9
B043 4651	Door Lever	45 - 20
B043 4667	By-pass Feed Guide - Lower	47 - 3
B043 4671	Bracket - Upper Guide Plate	45 - 22
B043 4674	Cover - Duplex Entrance Sensor	45 - 24
B043 4676	Bracket - Duplex Entrance Sensor	45 - 6
B043 4684	By-pass Feed Guide - Upper	47 - 9
B043 4685	Spring - 2.8n	47 - 4
B043 4688	Pad: 13X26	47 - 37
B043 4692	Grip Decal	75 - 5
B043 4692	Grip Decal	45 - 29
B043 4694	Chain Bracket	47 - 34
B043 4698	Cap - 30x36	47 - 35
B043 4713	Gear - 25Z	47 - 25
B043 4714	Gear - 25Z	47 - 23
B043 4975	Gear - 18Z	49 - 2
B043 4979	Exit Roller	43 - 23
B043 4979	Exit Roller	49 - 12
B043 4991	Coupled Gear - 15/51z	59 - 5

Part No.	Description	Page and Index No.
B043 4998	Rail - Reverser Shelf	9 - 2
B090 2593	Cover: Positioning Pin: Left Inner Rear	53 - 14
B090 2602	Bracket: Tension	53 - 8
B090 2668	Drive Roller - Vertical Transport	29 - 11
B090 2686	Snap Ring	29 - 15
B090 2686	Snap Ring	31 - 21
B090 2742	Roller: Pull Out: Option Tray	33 - 19
B090 2773	Bracket: Rise: 2	55 - 4
B090 2776	Lever: Dc Motor	55 - 12
B090 2777	Lever: Rise: Paper Volume Sensor	55 - 24
B090 2781	Bracket: Lever: Pressure	55 - 5
B090 2805	Bracket: Paper End Sensor	29 - 1
B090 2805	Bracket: Paper End Sensor	31 - 1
B090 2815	Bracket: Rise: 1	55 - 26
B090 2837	Bracket: Dc Motor: 1	55 - 19
B090 2838	Bracket: Dc Motor: 2	55 - 17
B090 2848	Stopper: Holder: Compression Spring	55 - 11
B090 2858	Lever: Stopper: Front	25 - 35
B090 2858	Lever: Stopper: Front	23 - 35
B090 2859	Stopper: Positioning	23 - 36
B090 2859	Stopper: Positioning	25 - 36
B090 2860	Lever: Stopper: Positioning	25 - 37
B090 2860	Lever: Stopper: Positioning	23 - 37
B090 2869	Gear - 16Z	25 - 14
B090 2869	Gear - 16Z	23 - 14
B090 2987	Roller: Paper Tray	25 - 13
B090 2987	Roller: Paper Tray	23 - 13
B091 2607	Snap Ring	53 - 15
B091 2615	Spring: Tension	53 - 9
B091 2739	Compression Spring - 10n	33 - 10
B091 2766	Tension Spring: Stopper: Return	55 - 8
B091 2767	Torsion Spring: Joint: Return	55 - 23
B091 2844	Compression Spring: Return	55 - 15
B091 2898	Sheet: Holder: Paper Tray	25 - 19
B091 2898	Sheet: Holder: Paper Tray	23 - 19

Part No.	Description	Page and Index No.
B093 2935	Stopper Paper Feed Roller	31 - 4
B120 3862	Front Discharge Brush	27 - 37
B121 1084	Heater Wire Cover	43 - 1
B121 1126	Harness Guide	43 - 43
B121 1128	OPC Drum Ground Plate 2 Ass'y	51 - 9
B121 1132	Fusing Drive Release Bracket	43 - 27
B121 1140	Main Drive Housing	51 - 25
B121 1145	Harness Hook	51 - 27
B121 1161	Large Spring	51 - 10
B121 1162	Small Spring	51 - 28
B121 1664	Bracket - Timing Belt	17 - 14
B121 1667	Lens Stay Bracket	17 - 6
B121 1680	Gear - 53Z/60Z	17 - 18
B121 1696	Timing Belt L147	17 - 8
B121 1762	No.1 Mirror	15 - 15
B121 1766	No.1 Mirror Clamp	15 - 14
B121 1782	Flexible Board Guide	15 - 4
B121 1816	Guide: Harness: Scanner	15 - 20
B121 1975	Rubber Bushing	19 - 20
B121 2311	PCU Toner Supply Shutter	37 - 1
B121 2313	Toner Supply Seal	37 - 8
B121 2617	Magnet Catch - By-pass Feed	21 - 13
B121 3860	Harness Cover	27 - 34
B121 4090	Front Heater Holder	41 - 21
B121 4103	Frame: Fusing	41 - 37
B121 4111	Front Electrode Plate	41 - 10
B121 4112	Long Electrode Plate	41 - 13
B121 4113	Short Electrode Plate	41 - 12
B121 4114	Rear Electrode Plate	41 - 14
B121 4120	Thermostat Ass'y	41 - 11
B121 4201	Front Heater Bracket	29 - 9
B121 4451	Exit Middle Guide Plate	43 - 20
B121 4461	Exit Lower Guide Plate	43 - 36
B121 4465	Short Front Outer Holder	43 - 32
B121 4467	Long Front Middle Holder	43 - 35

Part No.	Description	Page and Index No.
B121 4469	Long Rear Middle Holder	43 - 33
B121 4473	Exit Roller Ring Mm14	43 - 29
B121 4477	Short Rear Outer Holder	43 - 34
B121 4490	Antistatic Brush	49 - 3
B121 4503	Exit Photointerruptor Bracket	43 - 19
B121 5206	Harness - Density Sensor	27 - 29
B121 5248	Harness - Development Sensor	27 - 21
B121 5501	IC: SCRATCH: KS6M2U1651CBP	71 - 2
B121 5822	Guide Mylar	15 - 21
B121 9640	Developer Type 28 Black	35 - 13
B121 9645	Developer Type 28 Black - NA EU	35 - 13
B122 1075	Front Reverse Sub-unit Holder	49 - 5
B122 4460	Lower Exit Guide Plate	43 - 44
B122 4492	Large Exit Discharge Brush	43 - 41
B122 4493	Small Exit Discharge Brush	43 - 42
B122 5821	Box Holder	13 - 19
B123 4502	Middle Reverse Guide Plate	49 - 11
B123 4505	Timing Belt - 40S2M290	47 - 19
B123 4506	Reverse Roller Ground Plate	49 - 6
B123 4508	Middle: Reverse Holder	43 - 40
B123 4508	Middle: Reverse Holder	49 - 13
B123 4617	Entrance Duplex Guide Plate	45 - 26
B123 4670	Right Lower Exit Guide Plate Ass'y	45 - 14
B123 4675	Exit Duplex Sensor Bracket	45 - 10
B123 4679	Exit Sensor Cover	45 - 23
B123 4691	Decal	45 - 27
B123 4691	Decal	75 - 6
B123 4693	Duplex Unit Stopper Ass'y	47 - 32
B123 4697	Tension Spring 27n	47 - 27
B123 4973	Reverse Paper Feed Sensor Bracket	49 - 8
B123 4977	Right Upper Exit Guide Plate Ass'y	45 - 25
B132 1531	Panel: Logo	9 - 19
B132 1531	Panel: Logo	7 - 13
B207 2773	Tension Spring: Pressure: Sub	55 - 21
B209 2780	Rising Unit: Ass'y	55 - 6

Part No.	Description	Page and Index No.
B223 2864	Lever - Release Outer	25 - 23
B223 2864	Lever - Release Outer	23 - 23
B229 1453	Keytop - Start	11 - 8
B229 1454	Keytop - Clear/Stop	11 - 9
B229 1475	Keytop - 10key (EU)	11 - 10
B229 1521	Sheet: Power Source: NA	11 - 2
B229 1525	Keytop-Initial	11 - 11
B229 1526	Keytop - 10key NA	11 - 10
B229 1537	Keytop - Clear Modes	11 - 12
B238 5503	IC: TRIO2	71 - 3
B243 1425	Cover - Operation Panel	11 - 6
B243 1458	Keytop - Power Source	11 - 13
B243 1459	Keytop - Cursor	11 - 14
B243 1461	Cover: Printer: Basic	11 - 1
B243 1466	Cover - CPS NA	11 - 16
B243 1487	PCB Operation Panel	11 - 3
B243 5018	Choke Coil: B2435018	57 - 23
B243 5870	PCB Bracket	61 - 3
B243 5874	Cover - PCB	61 - 6
B243 5879	Cover - Card	61 - 5
B259 1053	Door Shaft - Right Front	33 - 16
B259 1119	Tapping Screw: M3x33	59 - 21
B259 1131	Screw: PCU	27 - 28
B259 1135	DC Solenoid Ass'y	51 - 2
B259 1157	Fusing Swivel Bracket	51 - 11
B259 1174	Development Drive Shaft (03)	51 - 17
B259 1499	Tapping Screw - M3x8	11 - 15
B259 1691	Scanner Drive Shaft	17 - 11
B259 1702	Pulley Shaft	17 - 16
B259 1768	Carriage No.2 Ass'y	15 - 5
B259 1776	Idler Belt Pulley Bracket - Front	15 - 9
B259 1778	Idler Belt Pulley Bracket - Rear	15 - 7
B259 2210	PCU - Ass'y	35 - *
B259 2210	PCU - Ass'y	37 - *
B259 2325	OPC Drum Shutter Plate	37 - 23

Part No.	Description	Page and Index No.
B259 2371	Rear Drum Stay	35 - 1
B259 2562	Registration Roller Drive	27 - 19
B259 2571	Registration Roller Driven - Dia16	27 - 18
B259 2642	Pin - Mm6	21 - 19
B259 2786	Lever Shaft	21 - 20
B259 3031	Toner Supply Unit	39 - 1
B259 3051	Development Roller Ass'y	35 - 6
B259 3170	Development Case Ass'y	35 - 8
B259 3200	Case: Development: Upper: Ass'y	35 - 7
B259 3310	DC Motor 24V	51 - 6
B259 3390	Density Sensor: K-C2.5: Ass'y	35 - 10
B259 3422	Shaft: Slide	39 - 5
B259 3890	Density Sensor	27 - 26
B259 4015	Fusing Cleaning Roller	41 - 6
B259 4091	Rear Heater Holder	41 - 15
B259 4115	Fusing Entrance Guide Plate	41 - 30
B259 4471	Exit Roller 2	43 - 3
B261 4623	Transport Roller - Connecting	47 - 7
B261 4624	Transport Roller: Drive: Duplex: Exit	47 - 6
B261 4625	Transport Roller: Drive: Duplex: Entrance	47 - 8
B261 4650	Separation Pad	47 - 5
B261 4686	Manual Feed Drive Shaft	47 - 16
B261 4983	Gate Pawl	43 - 24
B261 4989	Reverse Roller	49 - 1
B261 4994	Stepper Motor Bracket	59 - 4
B268 1085	Switch: LF-105-11	43 - 2
B268 1085	Switch: LF-105-11	43 - 45
B268 1749	Scale - Left	13 - 2
B268 1751	Scale - Inner Back	13 - 11
B269 4981	Guide Plate: Reverse: Left Upper	49 - 4
B276 1072	Grip	33 - 2
B276 1251	Cover: Shield Glass	19 - 1
B276 1333	Cover: Scanner: Rear: NA	7 - 4
B276 1452	Cover: Operation Sub-unit: Lower	11 - 5
B277 1411	Operation Panel Unit NA	11 - 4

Part No.	Description	Page and Index No.
B390 1759	Shaft: Scale	13 - 1
B390 2831	Friction Pad	25 - 17
B390 2831	Friction Pad	23 - 17
B622 5872	Rail Holder	61 - 4
B622 5880	Cover - Expand	61 - 1
B645 5010	SD-Card: Ass'y	77 - 7
B645 6700	SD-Card: Adapter: BN-SDAA2	77 - 8
B645 6800	SD-Card: USB: Writer: BN-SDCE2	77 - 9
B865 5171	PCB Gdi-Basic	61 - 2
G012 3050	Side Fence Gear	21 - 7
G020 2784	Lever - By-pass Feed Table	21 - 15
G020 3334	Slider Ass'y	39 - 8
G020 5626	Push Switch	33 - 6
G020 5871	Spacer: Lock: KGLS-12RT	59 - 22
G029 1980	Decal - LD	75 - 4
G029 1980	Decal - LD	19 - 7
G029 4140	External Circlip	41 - 17
G029 4174	Pressure Roller Bushing	41 - 27
G029 4176	Turn Roller - Exit Sub-unit	43 - 37
G052 4618	Bearing 30x42x7	41 - 19
G052 4873	Outer Exit Cover Roller	43 - 31
G060 2641	Transport Driven Roller - Middle	45 - 7
G104 5141	Knob Screw: M3	9 - 4
G361 5570	Photointerruptor - Duplex	43 - 22
G570 2730	Slider - Scanner	15 - 18
G697 2677	Spring Plate - Side Fence	25 - 38
G697 2677	Spring Plate - Side Fence	23 - 38
G800 4854	Exit Roller	49 - 14
G800 4854	Exit Roller	43 - 39

Part No.	Description	Page and Index No.
N803 6701	Flash Memory Card-4mb	77 - 4

Part No.	Description	Page and Index No.
AA06 0900	Spring	23 - 27
AA06 0900	Spring	25 - 27
AA06 2254	Registration Roller Spring	27 - 2
AA06 3399	Spring - Vertical Transport	45 - 3
AA06 3570	Tension Spring	41 - 35
AA06 3607	Pressure Spring	27 - 24
AA06 3643	Spring - By-pass Feed Table	21 - 8
AA06 6342	Registration Sensor Spring	27 - 10
AA06 6343	Spring - Paper End Sensor	47 - 14
AA06 6635	Spring - Fusing Exit Guide	41 - 24
AA06 6637	Stripper Pawl Spring	41 - 8
AA06 6641	Gate Pawl Spring	43 - 25
AA08 0249	Bushing - Vertical Transport	33 - 9
AA08 0252	Bushing - M4	31 - 22
AA08 0252	Bushing - M4	29 - 16
AA08 0267	Bushing - 8x12x18	27 - 6
AA08 0268	Bushing - Vertical Transport	45 - 2
AA08 0313	Driven Roller Bushing	45 - 8
AA08 0342	Front Bushing-registration Roller	27 - 5
AA08 0343	Rear Bushing-registration Roller	27 - 22
AA08 2063	Bushing - 8x10x5	43 - 5
AA08 2070	Bushing - 8x16x7	55 - 3
AA08 2101	Bushing - 6x10x6	47 - 17
AA08 2110	Bushing - 8x12x22	27 - 23
AA10 0015	Snap Ring - M6	27 - 8
AA10 0015	Snap Ring - M6	51 - 26
AA14 3444	Stepped Screw	37 - 11
AA14 3870	Stepped Screw	41 - 2
AB01 1402	Gear - 14Z	37 - 13
AB01 1403	Gear - 13Z	37 - 12
AB01 2311	Gear - 18Z	27 - 7
AB01 2312	Gear - 16Z	27 - 4
AB03 0569	Pulley - 30T	47 - 20
AB03 0627	Timing Pulley - 18T	53 - 7
AC02 0095	Sync Detector Lenz	19 - 19

Part No.	Description	Page and Index No.
AC02 4009	Cylindrical Lens	19 - 9
AC03 0139	Sync Detector Mirror	19 - 8
AD02 7018	Roller: Charge: A3	37 - 21
AD04 2058	Charge Cleaner Brush Roller	37 - 22
AD04 2059	Cleaning Blade Ass'y	37 - 15
AE01 1113	Hot Roller MM30	41 - 20
AE04 4062	Stripper Pawls	41 - 9
AF03 1060	By-pass Feed Roller	47 - 15
AG07 0514	Magnet Catch	33 - 11
AG07 0514	Magnet Catch	47 - 21
AH01 0009	Rubber Foot: H5	33 - 20
AW01 0126	Original Sensor: H=2-66	17 - 1
AW02 0141	Photointerruptor	55 - 2
AW02 0141	Photointerruptor	31 - 2
AW02 0141	Photointerruptor	29 - 2
AW02 0156	Photointerruptor: EE-SX4235A-P2	13 - 4
AW02 0173	Photointerruptor: Vertical Transport	31 - 14
AW02 0173	Photointerruptor: Vertical Transport	29 - 13
AW02 0181	Paper Feed Sensor	45 - 11
AW10 0073	Thermistor	41 - 3
AW50 0034	Paper Size Sensor	21 - 9
AX04 0220	DC Motor: Paper Feed: Ass'y	55 - 1
AX31 0046	Total Counter: 7fig: 24v	39 - 16
AZ23 0213	Power Supply Unit - 115V	57 - 16
AZ23 0214	Power Supply Unit - 230V	57 - 16
GC02 5010	Lens: L2	19 - 17
GW01 0007	Photo Reflection Sensor: Exit	49 - 9
GW02 0020	Photointerruptor: LG248NI1	47 - 12
GW02 0020	Photointerruptor: LG248NL1	27 - 13
GW02 0020	Photointerruptor: LG248NI1	13 - 6

Part No.	Description	Page and Index No.
VSSM 9000	Digital Multimeter-fluke187	77 - 3

Part No.	Description	Page and Index No.
0313 0060N	Screw - M3X6	59 - 102
0313 0060N	Screw - M3X6	41 - 104
0353 0050N	Screw-m3x5	11 - 102
0354 0060N	Screw-m4x6	25 - 102
0354 0060N	Screw-m4x6	23 - 102
0360 3006N	Screw - M3X6	17 - 107
0360 3006N	Screw - M3X6	35 - 101
0433 0060N	Pan Self-tapping Screw: 3x6	47 - 106
0450 3008N	Tapping Screw - M3x8	51 - 104
0450 3008N	Tapping Screw - M3x8	47 - 102
0450 3008N	Tapping Screw - M3x8	7 - 102
0450 3008N	Tapping Screw - M3x8	27 - 101
0450 3008N	Tapping Screw - M3x8	43 - 102
0450 3008N	Tapping Screw - M3x8	45 - 101
0450 3008N	Tapping Screw - M3x8	39 - 101
0450 3008N	Tapping Screw - M3x8	49 - 103
0450 3008N	Tapping Screw - M3x8	9 - 102
0450 3012N	Tapping Screw: 3x12	27 - 102
0450 3012N	Tapping Screw: 3x12	43 - 104
0450 3012N	Tapping Screw -3x12	19 - 102
0450 3020N	Tapping Screw: M3x20	19 - 103
0450 4008N	Tapping Screw - M4x8	25 - 101
0450 4008N	Tapping Screw - M4x8	23 - 101
0450 4008N	Tapping Screw - M4x8	43 - 106
0450 4010N	Tapping Screw: M4x10	51 - 101
0451 3006N	Tapping Screw - 3x6	31 - 101
0451 3006N	Tapping Screw - 3x6	43 - 103
0451 3006N	Tapping Screw - 3x6	47 - 107
0451 3006N	Tapping Screw - M3x6	13 - 101
0451 3006N	Tapping Screw - 3x6	45 - 102
0451 3006N	Tapping Screw - 3x6	37 - 101
0451 3006N	Tapping Screw - 3x6	15 - 101
0451 3006N	Tapping Screw - 3x6	57 - 101
0451 3006N	Tapping Screw - 3x6	55 - 101
0451 3006N	Tapping Screw - 3x6	33 - 104

Part No.	Description	Page and Index No.
0451 3006N	Tapping Screw: 3X6	15 - 102
0451 3006N	Tapping Screw - M3x6	49 - 106
0451 3006N	Tapping Screw - 3x6	29 - 101
0451 3006N	Tapping Screw - 3x6	61 - 101
0451 3006N	Tapping Screw - 3x6	59 - 105
0451 3006N	Tapping Screw - 3x6	17 - 101
0451 3006N	Tapping Screw - 3x6	47 - 101
0451 3008N	Tapping Screw - M3x8	59 - 101
0451 3008N	Tapping Screw - M3x8	7 - 101
0451 3008N	Tapping Screw - M3x8	9 - 101
0451 3008N	Tapping Screw - M3x8	11 - 101
0451 3008N	Tapping Screw - M3x8	21 - 101
0451 3008N	Tapping Screw - M3x8	59 - 104
0451 3030N	Tapping Screw: 3x30	55 - 102
0451 3030N	Tapping Screw: 3x30	59 - 103
0452 3008N	Tapping Screw - M3x8	35 - 102
0452 3008N	Tapping Screw - M3x8	39 - 102
0452 3008N	Tapping Screw - M3x8	37 - 102
0452 3008N	Tapping Screw - M3x8	41 - 103
0452 3010N	Tapping Bind Screw - M3x10	19 - 101
0452 3012N	Binding Self-tapping Screw: M3x12	37 - 104
0452 3014N	Tapping Screw - M3x14	19 - 104
0453 3006N	Tapping Screw - M3x6	17 - 108
0454 3006Q	Tapping Screw With Washer - M3x6	17 - 102
0454 3006Q	Tapping Screw With Washer - M3x6	13 - 102
0454 3008Q	Tapping Screw	51 - 102
0720 0030E	Retaining Ring - M3	43 - 105
0720 0040E	Retaining Ring - M4	31 - 105
0720 0040E	Retaining Ring - M4	55 - 106
0720 0040E	Retaining Ring - M4	49 - 101
0720 0040E	Retaining Ring - M4	33 - 101
0720 0040E	Retaining Ring - M4	47 - 103
0720 0060	Retaining Rings-E: 6	53 - 105
0720 0060E	Retaining Ring - M6	55 - 104
0720 0060E	Retaining Ring - M6	29 - 104

Part No.	Description	Page and Index No.
0720 0060E	Retaining Ring - M6	25 - 103
0720 0060E	Retaining Ring - M6	23 - 103
0720 0060E	Retaining Ring - M6	17 - 106
0720 0060E	Retaining Ring - M6	51 - 103
0736 0610	Bushing 6x10	37 - 103
0802 5299	Tapping Screw - M3x8	53 - 106
0802 5299	Tapping Screw: Washer: 3X8	53 - 104
0804 6123	Hexagonal Bolt: W/Washer: M3x8	41 - 101
0805 0092	Retaining Ring - 3m	31 - 104
0805 3383	Bushing - M5	49 - 102
0805 3480	Bushing - 6mm	33 - 102
0805 3480	Bushing - 6mm	31 - 106
0805 3480	Bushing: Dia6	53 - 102
0805 3530	Bearing 8x22x7	17 - 105
0950 3006N	Screw: Spring Washer: M3X6	33 - 105
0950 4006Z	Screw: M4X6	57 - 105
0950 4008Z	Philips Truss Screw - M4x8	55 - 105
0954 3010N	Screw: Polished Round/Spring: M3x10	41 - 105
0954 3010N	Screw: Polished Round/Spring: M3x10	41 - 102
1102 4201	Connector: 292132-2	71 - 101
1102 4202	Connector: 292132-3	71 - 102
1102 4203	Connector: 292132-4	71 - 103
1102 4205	Connector: 292132-6	71 - 104
1102 5301	Connector	71 - 105
1102 5302	Connector	71 - 106
1102 5303	3.5: Connector: ST: 4P	71 - 107
1102 6295	Connector: 53324-0260	71 - 108
1102 6297	Connector: 53324-0460	71 - 109
1102 6299	Connector: 53324-0660	71 - 110
1102 6307	Connector: 53324-1460	71 - 111
1102 6403	Connector: 53313-3065	71 - 112
1102 8471	Connector: 55447-0780	71 - 113
1102 8472	Connector: 55447-0880	71 - 114
1102 8477	Connector: 55447-1380	71 - 115
1102 8510	Connector: 1-172157-2	57 - 110

Part No.	Description	Page and Index No.
1102 8661	Connector: IC CARD: FCN-564P068-G/SC-4V	71 - 116
1102 9120	Connector: 2-292208-2	71 - 117
1102 9527	Connector: 55454-1570	71 - 118
1102 9548	Connector: TX25-100P-8ST-H1E	71 - 119
1103 3179	Connector: FH12-50S-0.5SV(89)	71 - 120
1103 3661	Connector: TX25-40P-8ST-H1E	71 - 121
1103 3733	Connector: SLD5R-1LF	71 - 122
1103 3984	Connector	71 - 123
1103 3987	Connector	71 - 124
1103 3988	Connector	71 - 125
1103 3989	Connector	71 - 126
1103 3990	Connector	71 - 127
1103 3991	Connector	71 - 128
1103 3994	Connector	71 - 129
1103 3996	Connector	71 - 130
1103 3997	Connector	71 - 131
1103 3999	Connector	71 - 132
1103 4015	Connector	71 - 133
1103 4016	Connector	71 - 134
1104 0588	IC Socket: 1-390262-2	71 - 135
1105 0009	Nylon Clamp - 5n	47 - 105
1105 0329	Clamp - ES-0510	55 - 108
1105 0460	Clamp	55 - 107
1105 0487	Harness Clamp	13 - 103
1105 0487	Harness Clamp	17 - 104
1105 0487	Clamp: LWS-0511Z	19 - 105
1105 0487	Harness Clamp	57 - 103
1105 0487	Harness Clamp	39 - 103
1105 0487	Harness Clamp	53 - 103
1105 0488	Harness Clamp	51 - 105
1105 0488	Harness Clamp	33 - 106
1105 0488	Harness Clamp	59 - 107
1105 0488	Harness Clamp	57 - 102
1105 0499	Support Spacer - M3x29	49 - 105
1105 0501	Harness Clamp: RLMC-05TV0	31 - 107

Part No.	Description	Page and Index No.
1105 0511	Harness Clamp - LWS-0306ZC	17 - 103
1105 0511	Harness Clamp - LWS-0306ZC	29 - 102
1105 0511	Harness Clamp - LWS-0306ZC	31 - 103
1105 0511	Harness Clamp - LWS-0306ZC	53 - 101
1105 0511	Harness Clamp - LWS-0306ZC	45 - 103
1105 0511	Harness Clamp - LWS-0306ZC	47 - 104
1105 0511	Harness Clamp - LWS-0306ZC	55 - 103
1105 0516	Clamp	57 - 104
1105 0518	Edge Saddle - Les-1010	57 - 106
1105 0522	Clamp: LES-1010	31 - 102
1105 0522	Edge Saddle - Les0510	29 - 103
1105 0522	Edge Saddle - Les0510	27 - 103
1107 0392	Fuse - 6.3a 125V	57 - 107
1107 0629	Fuse: Ceramic Case: 15a 125V	57 - 108
1107 1082	Fuse: SST 1	71 - 136
1107 1095	Fuse: SST 2	71 - 137
1204 2476	Switch: SKQRAAE010	71 - 138
1204 2608	Rocker Switch: Sddje33900	49 - 104
1400 0688	Transistor DTC143ZUA	71 - 139
1400 0702	Transistor: DTD143EK	71 - 140
1400 0855	Transistor: 2SA1235A-T112	71 - 141
1400 0962	Transistor: 2SB1412	71 - 142
1400 1059	Transistor: DTA124EUA	71 - 143
1400 1241	Transistor: SRC1206 μ F	71 - 144
1400 1255	Transistor: 2SA1979 μ F-Y	71 - 145
1401 1174	FET: 2SK3054-A	71 - 146
1401 1175	FET: HAT1043M-E	71 - 147
1402 1277	Diode: 12V: 500MW	71 - 148
1402 1336	Diode: 1SS355	71 - 149
1402 1337	Diode: RB731U	71 - 150
1402 1459	Diode: RB706F-40	71 - 151
1402 1565	Diode: RB521S-30	71 - 152
1402 1662	Diode: PTZ6.2B	71 - 153
1402 1854	Diode: RF071M2S	71 - 154
1403 0996	LED: SML-310VT	71 - 155

Part No.	Description	Page and Index No.
1404 0360	Thermistor: 103HT	71 - 156
1407 1535	Driver: TD62308APG(5)	71 - 157
1407 2187	TTLIC: SN74LS07NS	71 - 158
1407 2219	Driver: TD62003APG(5)	71 - 159
1407 5229	Ram: IDT7005L55PF	57 - 109
1407 5347	CMOS Logic: SN74LV08APW	71 - 160
1407 5351	CMOS Logic: SN74LV14APW	71 - 161
1407 5352	IC: 74LVC32A: TSSOP	71 - 162
1407 5353	CMOS Logic: SN74LV244APW	71 - 163
1407 5360	Motor Control IC: MTD2006G-3072	71 - 164
1407 5361	IC: 74LVC157A: TSSOP	71 - 165
1407 5364	IC: SN74AHCT244PW	71 - 166
1407 5367	IC: 74LVC74A: TSSOP	71 - 167
1407 5368	IC: 74LVC245A: TSSOP	71 - 168
1407 5382	CMOS Logic: SN74LV373APW	71 - 169
1407 5454	CMOS Logic: SN74LV86APW	71 - 170
1407 5469	CMOS Logic: SN74LV07APW	71 - 171
1407 6032	IC: SN74LV161APW	71 - 172
1407 6525	CPU: HD6412320VF25V	71 - 173
1407 6584	Motor Control IC: STK672-400B-E	71 - 174
1407 6809	CMOS Logic: TC7SET126FU	71 - 175
1408 1204	Motor Control IC: TA8083PG(5,RICO)	71 - 176
1408 1550	Operational Amplifier: LM2902PW	71 - 177
1408 1669	Series Regulator: R1170H331B-FB	71 - 178
1408 1850	Series Regulator: R1170H181B-FB	71 - 179
1408 1929	IC: R3112Q441A-FA	71 - 180
1408 2029	Comparator: LM2901PW	71 - 181
1408 2537	Series Regulator: KIA7805API/P	71 - 182
1408 2540	Series Regulator: KIA7812API/P	71 - 183
1503 0993	Crystal Oscillator: 14.7456MHZ	71 - 184
1600 1418	Resistor: 1Ω: ±5%: 1W	71 - 185
1600 1682	Resistor: 68Ω: ±5%: 2W	71 - 186
1601 5442	Resistor: 220Ω: ±5%: 2W	71 - 187
1601 5492	Resistor: 47Ω: ±5%: 2W	71 - 188
1601 5698	Resistor: 300 Ω: ±5%: 2W	71 - 189

Part No.	Description	Page and Index No.
1604 2114	Capacitor: 47μF: 50V	71 - 190
1604 5375	Capacitor: 220μF: ±20%: 50V	71 - 191
1605 1137	Capacitor: 470PF: ±10%: 50V	71 - 192
1605 1148	Capacitor: 0.1μF: +80-20%: 50V	71 - 193
1605 1190	Capacitor: 0.022μF: ±10%: 50V	71 - 194
1605 1200	Capacitor: 10PF: ±0.5PF: 50V	71 - 195
1605 1201	Capacitor: 12PF: ±5%: 50V	71 - 196
1605 1205	Capacitor: 33PF: ±5%: 50V	71 - 197
1605 1206	Capacitor: 47PF: ±5%: 50V	71 - 198
1605 1208	Capacitor: 100PF: ±5%: 50V	71 - 199
1605 1209	Capacitor: 150PF: ±5%: 50V	71 - 200
1605 1211	Capacitor: 220PF: ±10%: 50V	71 - 201
1605 1212	Capacitor: 470PF: ±10%: 50V	71 - 202
1605 1214	Capacitor: 1000PF: ±10%: 50V	71 - 203
1605 1216	Capacitor: 2200PF: ±10%: 50V	71 - 204
1605 1221	Capacitor: 0.1μF: +80-20%: 16V	71 - 205
1605 1240	Capacitor: 0.01μF: ±10%: 25V	71 - 206
1605 1285	Capacitor: 3300PF: ±10%: 50V	71 - 207
1605 1293	Capacitor: 27PF: ±5%: 50V	71 - 208
1605 1295	Capacitor: 10μF: +80-20%: 10V	71 - 209
1605 1303	Capacitor: 0.01μF: +80-20%: 50V	71 - 210
1605 1347	Capacitor: 1μF: +80-20%: 16V	71 - 211
1605 1447	Capacitor: 470PF: ±5%: 50V	71 - 212
1605 1453	Capacitor: 0.022μF: ±10%: 16V	71 - 213
1605 1544	Capacitor: 330PF: ±5%: 50V	71 - 214
1607 0069	Filter: BL02RN2R1M2B	71 - 215
1607 1002	Filter: NFE31PT222Z1E9B	71 - 216
1607 1107	Filter: LC0805L104M	71 - 217
1609 0005	Resistor Array: 33#-#: ±5%: 1/16W: 8Number	71 - 218
1609 0006	Resistor Array: 10K#-#: ±5%: 1/16W: 8Number	71 - 219
1609 0007	Resistor Array: 68#-#: ±5%: 1/16W: 8Number	71 - 220
1609 0019	Resistor Array: 0#-#: 1608: 8##	71 - 221
1609 0027	Resistor Array: 100K#-#: ±5%: 1/16W: 8##	71 - 222
1609 0096	Resistor Array: 10KΩ: ±5%: 1/16W: 4Number	71 - 223
1609 0098	Resistor Array: 33Ω: ±5%: 1/16W: 4Number	71 - 224

Part No.	Description	Page and Index No.
1609 0101	Resistor Array: 47Ω: ±5%: 1/16W: 4Number	71 - 225
1609 0102	Resistor Array: 100Ω: ±5%: 1/16W: 4Number	71 - 226
1609 0111	Resistor Array: 1KΩ: ±5%: 1/16W: 4Number	71 - 227
1609 0112	Resistor Array: 100KΩ: ±5%: 1/16W: 4Number	71 - 228
1609 0114	Resistor Array: 68Ω: ±5%: 1/16W: 4Number	71 - 229
1609 0115	Resistor Array: 150 Ω: ±5%: 1/16W: 4Number	71 - 230
1609 0134	Resistor Array: 4.7K Ω: ±5%: 1/16W: 4Number	71 - 231
1609 0135	Resistor Array: 3.3K Ω: ±5%: 1/16W: 4Number	71 - 232
1633 0000	Resistor: 0Ω: 2125	71 - 233
1634 0000	Resistor: 0Ω: 1608	71 - 234
1640 0101	Capacitor: 100μF: ±20%: 10V	71 - 235
1640 5100	Capacitor: 10μF: ±20%: 50V	71 - 236
1640 5101	Capacitor: 100μF: ±20%: 50V	71 - 237
1640 5470	Capacitor: 47μF: ±20%: 50V	71 - 238
1650 2620	Chip Resistor: 62#-#: ±5%: 1/4W: 3216	71 - 239
1650 3103	Resistor: 10K Ω: ±5%: 1/8W: 2125	71 - 240
1650 3122	Resistor: 1.2K Ω: ±5%: 1/8W: 2125	71 - 241
1650 3201	Resistor: 200 Ω: ±5%: 1/8W: 2125	71 - 242
1650 3332	Resistor: 3.3K Ω: ±5%: 1/8W: 2125	71 - 243
1650 4100	Resistor: 10 Ω: ±5%: 1/10W: 1608	71 - 244
1650 4101	Resistor: 100 Ω: ±5%: 1/10W: 1608	71 - 245
1650 4102	Resistor: 1K Ω: ±5%: 1/10W: 1608	71 - 246
1650 4103	Resistor: 10K Ω: ±5%: 1/10W: 1608	71 - 247
1650 4104	Resistor: 100K Ω: ±5%: 1/10W: 1608	71 - 248
1650 4220	Resistor: 22 Ω: ±5%: 1/10W: 1608	71 - 249
1650 4222	Resistor: 2.2K Ω: ±5%: 1/10W: 1608	71 - 250
1650 4330	Resistor: 33 Ω: ±5%: 1/10W: 1608	71 - 251
1650 4470	Resistor: 47 Ω: ±5%: 1/10W: 1608	71 - 252
1650 4472	Resistor: 4.7K Ω: ±5%: 1/10W: 1608	71 - 253
1650 4680	Resistor: 68 Ω: ±5%: 1/10W: 1608	71 - 254
1650 5100	Resistor: 10 Ω: ±5%: 1/16W: 1005	71 - 255
1650 5101	Resistor: 100 Ω: ±5%: 1/16W: 1005	71 - 256
1650 5102	Resistor: 1K Ω: ±5%: 1/16W: 1005	71 - 257
1650 5103	Resistor: 10K Ω: ±5%: 1/16W: 1005	71 - 258
1650 5104	Resistor: 100K Ω: ±5%: 1/16W: 1005	71 - 259

Part No.	Description	Page and Index No.
1650 5105	Resistor: 1M Ω: ±5%: 1/16W: 1005	71 - 260
1650 5163	Resistor: 16K Ω: ±5%: 1/16W: 1005	71 - 261
1650 5201	Resistor: 200 Ω: ±5%: 1/16W: 1005	71 - 262
1650 5203	Resistor: 20K Ω: ±5%: 1/16W: 1005	71 - 263
1650 5222	Resistor: 2.2K Ω: ±5%: 1/16W: 1005	71 - 264
1650 5243	Resistor: 24K Ω: ±5%: 1/16W: 1005	71 - 265
1650 5244	Resistor: 240K Ω: ±5%: 1/16W: 1005	71 - 266
1650 5330	Resistor: 33 Ω: ±5%: 1/16W: 1005	71 - 267
1650 5331	Resistor: 330 Ω: ±5%: 1/16W: 1005	71 - 268
1650 5332	Resistor: 3.3K Ω: ±5%: 1/16W: 1005	71 - 269
1650 5391	Resistor: 390 Ω: ±5%: 1/16W: 1005	71 - 270
1650 5470	Resistor: 47 Ω: ±5%: 1/16W: 1005	71 - 271
1650 5472	Resistor: 4.7K Ω: ±5%: 1/16W: 1005	71 - 272
1650 5511	Resistor: 510 Ω: ±5%: 1/16W: 1005	71 - 273
1650 5622	Resistor: 6.2K Ω: ±5%: 1/16W: 1005	71 - 274
1650 5680	Resistor: 68 Ω: ±5%: 1/16W: 1005	71 - 275
1650 5750	Resistor: 75 Ω: ±5%: 1/16W: 1005	71 - 276
1650 5751	Resistor: 750 Ω: ±5%: 1/16W: 1005	71 - 277
1655 0000	Resistor: 0 Ω: 1005	71 - 278
1655 1001	Resistor: 1K Ω: ±1%: 1/16W: 1005	71 - 279
1655 1002	Resistor: 10K Ω: ±1%: 1/16W: 1005	71 - 280
1655 1003	Resistor: 100K Ω: ±1%: 1/16W: 1005	71 - 281
1655 1302	Resistor: 13K Ω: ±1%: 1/16W: 1005	71 - 282
1655 1501	Resistor: 1.5K Ω: ±1%: 1/16W: 1005	71 - 283
1655 1801	Resistor: 1.8K Ω: ±1%: 1/16W: 1005	71 - 284
1655 2431	Resistor: 2.43K Ω: ±1%: 1/16W: 1005	71 - 285
1655 2701	Resistor: 2.7K Ω: ±1%: 1/16W: 1005	71 - 286
1655 3301	Resistor: 3.3K Ω: ±1%: 1/16W: 1005	71 - 287
1655 4700	Resistor: 470 Ω: ±1%: 1/16W: 1005	71 - 288
1655 5101	Resistor: 5.1K Ω: ±1%: 1/16W: 1005	71 - 289
1655 6041	Resistor: 6.04K Ω: ±1%: 1/16W: 1005	71 - 290
1655 7871	Resistor: 7.87K Ω: ±1%: 1/16W: 1005	71 - 291
1655 8200	Resistor: 820 Ω: ±1%: 1/16W: 1005	71 - 292
1655 9101	Resistor: 9.1K Ω: ±1%: 1/16W: 1005	71 - 293
1660 2120	Capacitor: 12PF: ±5%: 50V	71 - 294

Part No.	Description	Page and Index No.
1660 2270	Capacitor: 27PF: ±5%: 50V	71 - 295
1660 2330	Capacitor: 33PF: ±5%: 50V	71 - 296
1660 2470	Capacitor: 47PF: ±5%: 50V	71 - 297
1660 4102	Capacitor: 1000PF: ±10%: 50V	71 - 298
1660 4222	Capacitor: 2200PF: ±10%: 50V	71 - 299
1660 6103	Capacitor: 0.01µF: +80-20%: 50V	71 - 300
1660 8104	Capacitor: 0.1µF: +80-20%: 25V	71 - 301
1902 0092	SRAM: 1M: X8: 3V: TSOP32Type1: 70NS	71 - 302
1906 0101	Flash Memory: S29GL032A90TFIR40	71 - 303
1907 0082	SDRAM: 128M: 2MX16X4: 133MHZ: G7	71 - 304

Part No.	Description	Page and Index No.
5203 9502	Grease 501	77 - 1
5304 1639	Bushing - 8mm	51 - 24
5442 1924	Exposure Glass Cushion	13 - 15
5447 2681	Snap Ring	21 - 18
5447 2681	Snap Ring	27 - 3