



RICOH UNIVERSITY

Learning ♦ Knowledge ♦ Performance



B121/B122/B123/B259/B260/B261

PARTS CATALOG

001875MIU

Gestetner **LANIER RICOH SAVIN**



**B121/B122/B123/B259/B260/B261
PARTS CATALOG**

Gestetner
LANIER
RICOH
SAVIN



RICOH UNIVERSITY

Learning ♦ Knowledge ♦ Performance

B121/B122/B123/B259/B260/B261 PARTS CATALOG

001875MIU

Gestetner **LANIER RICOH SAVIN**

It is the reader's responsibility when discussing the information contained within this document to maintain a level of confidentiality that is in the best interest of Ricoh Corporation and its member companies.

**NO PART OF THIS DOCUMENT MAY BE REPRODUCED IN ANY
FASHION AND DISTRIBUTED WITHOUT THE PRIOR
PERMISSION OF RICOH CORPORATION.**

All product names, domain names or product illustrations, including desktop images, used in this document are trademarks, registered trademarks or the property of their respective companies.

They are used throughout this book in an informational or editorial fashion only and for the benefit of such companies. No such use, or the use of any trade name, or web site is intended to convey endorsement or other affiliation with Ricoh products.

LEGEND

PRODUCT CODE	COMPANY			
	GESTETNER	LANIER	RICOH	SAVIN
B121	DSm615	LD115	Aficio 2015	4015
B122	DSm618	LD118	Aficio 2018	4018
B123	DSm618d	LD118d	Aficio 2018d	4018d
B259	DSm616	LD116	2016	8016
B260	DSm620	LD120	2020	8020
B261	DSm620d	LD120d	2020D	8020d
B384	Paper Tray PS450			
B385	Paper Tray PS460			
B406	Platen Cover Type 1018			
B616	Document Feeder DF78			
B617	Document Feeder DF79			
B620	Fax Option Type 2018			
B621	1-Bin Tray PT340			
B622	Printer/Scanner Unit Type 2018			
B658	Feature Expansion Board Type 2018			

DOCUMENTATION HISTORY

REV. NO.	DATE	COMMENTS
*	02/2004	Original Printing
1	10/2005	B259/B260/B261 Addition

B121/B122/B123/B259/B260/B261

PARTS CATALOG

TABLE OF CONTENTS

B121/B122/B123/B259/B260/B261 PARTS LOCATION AND LIST

LOCATION OF UNIT.....	3
1.EXTERIOR 1 (B121/B259)	8
2.EXTERIOR 2 (B122/B123/B260/B261)	10
3.OPERATION PANEL.....	12
4.OPTICS SECTION 1	14
5.OPTICS SECTION 2	16
6.OPTICS SECTION 3	18
7.LASER UNIT.....	20
8.BY-PASS FEED SECTION	22
9.PAPER CASSETTE.....	24
10.PAPER REGISTRATION.....	26
11.1ST PAPER FEED SECTION	28
12.2ND PAPER FEED SECTION (B122/B123/B260/ B261)	30
13.VERTICAL TRANSPORT (B121/B122/B259/B260)	32
14.PCU 1	34
15.PCU 2	36
16.TONER SUPPLY UNIT.....	38
17.FUSING UNIT	40
18.PAPER EXIT SECTION.....	42
19.DUPLEX UNIT 1 (B123/B261).....	44
20.DUPLEX UNIT 2 (B123/B261).....	46
21.DUPLEX UNIT 3 (B123/B261).....	48
22.DRIVE SECTION.....	50

23.ELECTRICAL SECTION 1.....	52
24.ELECTRICAL SECTION 2.....	54
25.FRAME SECTION 1	56
26.FRAME SECTION 2 (B122/B123/B260/B261) ..	58
27.BICU BOARD.....	60
28.DECAL AND DOCUMENT.....	66
29.SPECIAL TOOLS.....	68

B121/B122/B123/B259/B260/B261 PARTS INDEX PARTS INDEX.....

DOCUMENT FEEDER DF78 B616 PARTS LOCATION AND LIST

1.EXTERIOR (B616).....	2
2.ORIGINAL FEED SECTION 1 (B616)	4
3.ORIGINAL FEED SECTION 2 (B616)	6
4.ORIGINAL TRANSFER AND FRAME (B616)	8
5.ELECTRICAL SECTION (B616).....	10
6.DECALS AND DOCUMENTS (B616).....	12

DOCUMENT FEEDER DF78 B616 PARTS INDEX PARTS INDEX.....

DOCUMENT FEEDER DF79 B617 PARTS LOCATION AND LIST

1.ARDf 1 (B617)	2
2.ARDf 2 (B617)	4

3.ARDF 3 (B617)	6
4.ARDF 4 (B617)	8
5.ARDF 5 (B617)	10
6.ARDF 6 (B617)	12
7.ARDF 7 (B617)	14
8.DECAL AND DOCUMENT (B617)	16

DOCUMENT FEEDER DF79 B617 PARTS INDEX PARTS INDEX.....	2
---	----------

PLATEN COVER TYPE 1018 B406 PARTS LOCATION AND LIST

1.PLATEN COVER TYPE 1018 (B406).....	2
--------------------------------------	---

PLATEN COVER TYPE 1018 B406 PARTS INDEX PARTS INDEX.....	3
---	----------

PAPER TRAY PS460 B385 PARTS LOCATION AND LIST

1.EXTERIOR (B385).....	2
2.PAPER TRAY (B385)	4
3.PAPER FEED SECTION (B385)	6
4.ELECTRICAL/DRIVE SECTION (B385).....	8
5.DECAL AND DOCUMENT (B385)	10

PAPER TRAY PS460 B385 PARTS INDEX PARTS INDEX.....	2
---	----------

PAPER TRAY PS450 B384 PARTS LOCATION AND LIST

1.EXTERIOR (B384).....	2
2.PAPER TRAY (B384)	4
3.PAPER FEED/TRANSFER (B384).....	6
4.ELECTRICAL SECTION 1 (B384).....	8
5.ELECTRICAL SECTION 2 (B384).....	10
6.ELECTRICAL SECTION 3 (B384).....	12

7.DECAL AND DOCUMENT (B384)	14
-----------------------------------	----

PAPER TRAY PS450 B384 PARTS INDEX PARTS INDEX.....	2
---	----------

ONE BIN TRAY PT 340 B621 PARTS LOCATION AND LIST

1.ONE BIN TRAY (B621)	2
-----------------------------	---

ONE BIN TRAY PT 340 B621 PARTS INDEX PARTS INDEX.....	2
--	----------

FEATURE EXPANSION BOARD TYPE 2018 B658 PARTS LOCATION AND LIST

1.GW EXPANSION UNIT 1 (B658)	2
2.GW EXPANSION UNIT 2 (B658)	4
3.GW EXPANSION UNIT 3 (B658)	6

FEATURE EXPANSION BOARD TYPE 2018 B658 PARTS INDEX PARTS INDEX.....	2
--	----------

FAX OPTION TYPE 2018 B620 PARTS LOCATION AND LIST

1.FAX OPTION (B620)	2
---------------------------	---

FAX OPTION TYPE 2018 B620 PARTS INDEX PARTS INDEX.....	3
---	----------

PRINTER/SCANNER UNIT TYPW 2018 B622 PARTS LOCATION AND LIST

1.PRINTER SCANNER UNIT (B622)	2
-------------------------------------	---

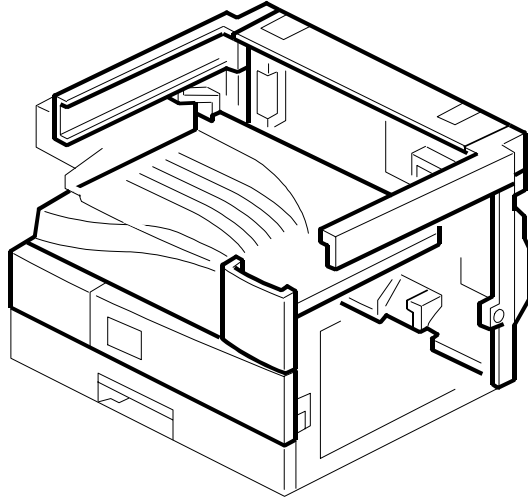
PRINTER/SCANNER UNIT TYPW 2018 B622 PARTS INDEX PARTS INDEX.....	3
---	----------

**B121/B122/B123/B259/B260/B261
PARTS LOCATION AND LIST**

This section instructs you as to the numbers and names of parts on this machine.

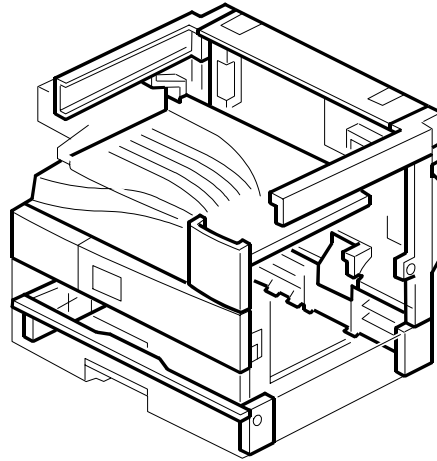
LOCATIONS OF UNITS

1. EXTERIOR 1 (B121/B259)



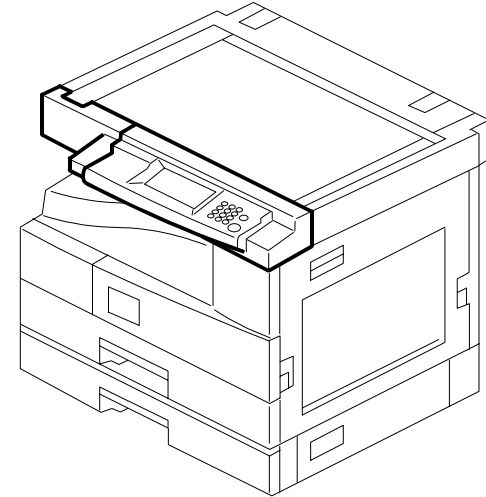
See Page 9

2. EXTERIOR 2 (B122/B123/B260/B261)



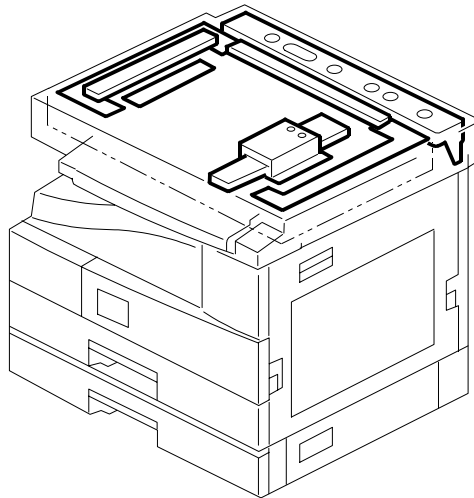
See Page 11

3. OPERATION PANEL



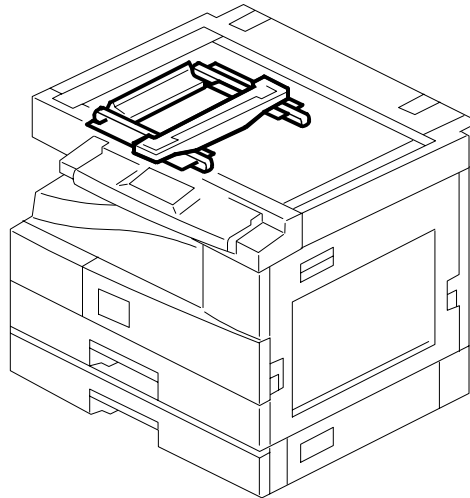
See Page 13

4. OPTICS SECTION 1



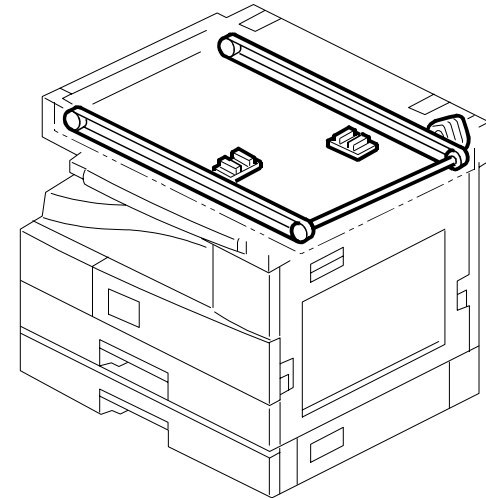
See Page 15

5. OPTICS SECTION 2



See Page 17

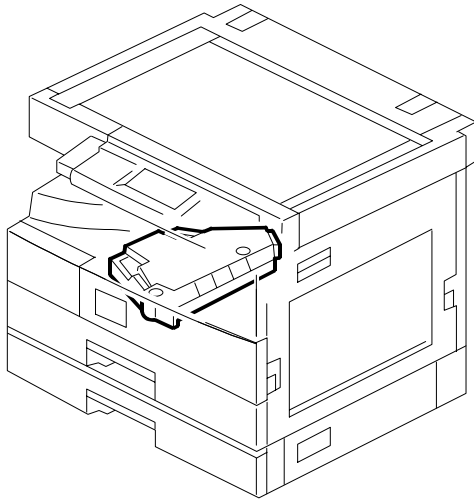
6. OPTICS SECTION 3



See Page 19

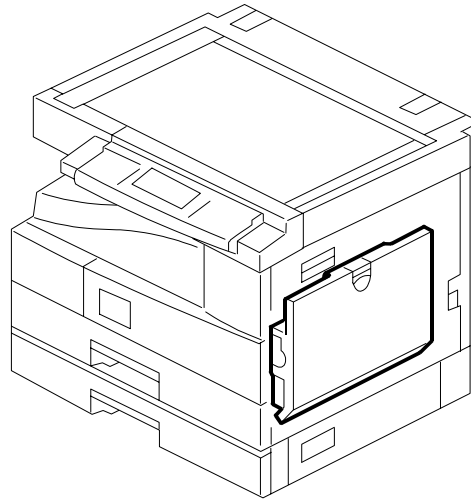
LOCATIONS OF UNITS

7. LASER UNIT



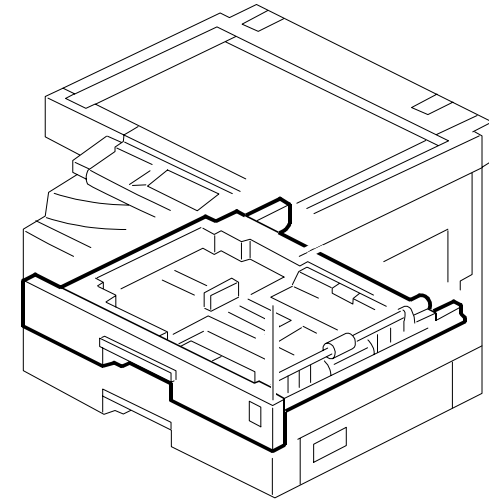
See Page 21

8. BY-PASS FEED SECTION



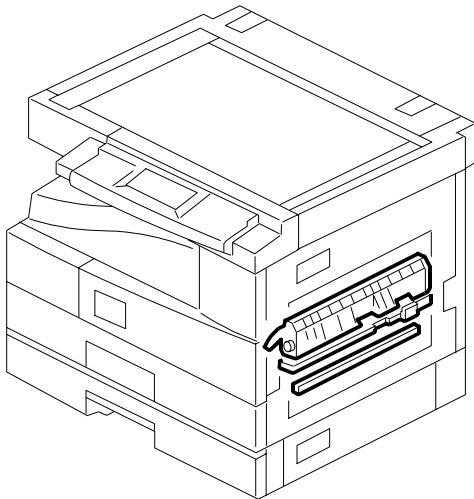
See Page 23

9. PAPER CASSETTE



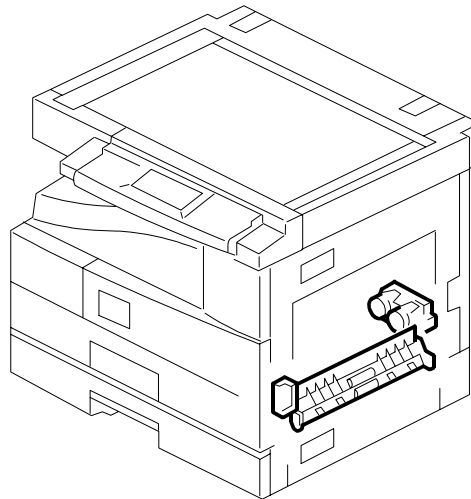
See Page 25

10. PAPER REGISTRATION



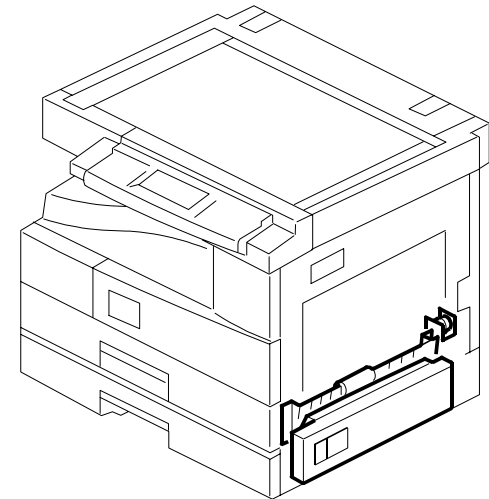
See Page 27

11. 1ST PAPER FEED SECTION



See Page 29

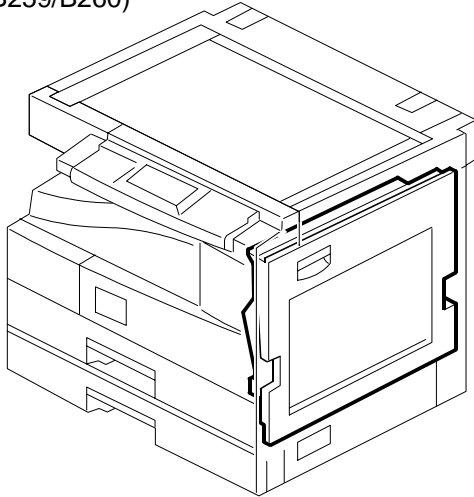
12. 2ND PAPER FEED SECTION



See Page 31

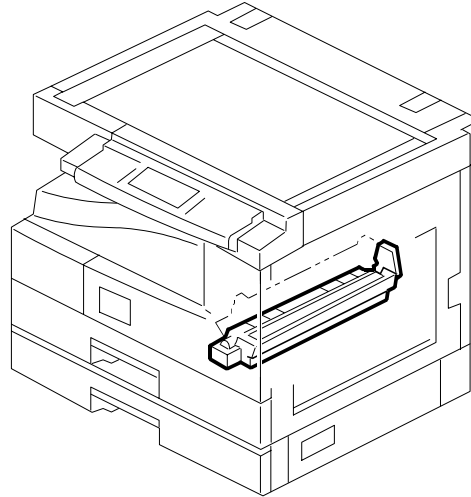
LOCATIONS OF UNITS

13. VERTICAL TRANSPORT (B121/B122/
B259/B260)



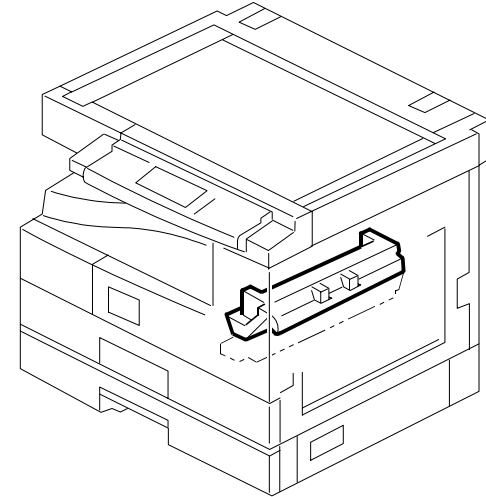
See Page 33

14. PCU 1



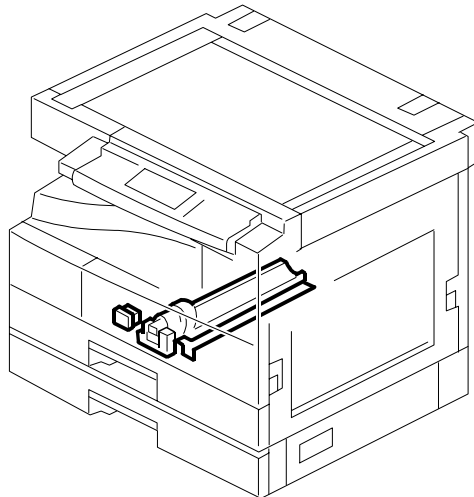
See Page 35

15. PCU 2



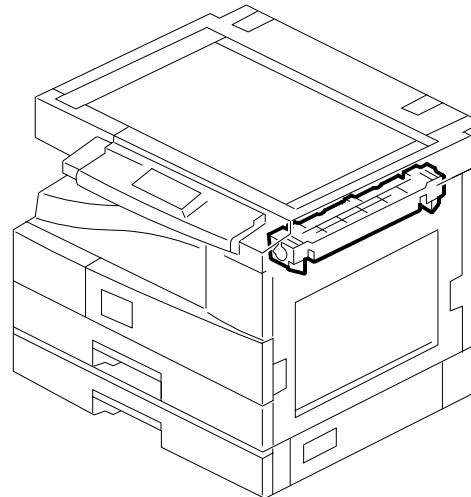
See Page 37

16. TONER SUPPLY UNIT



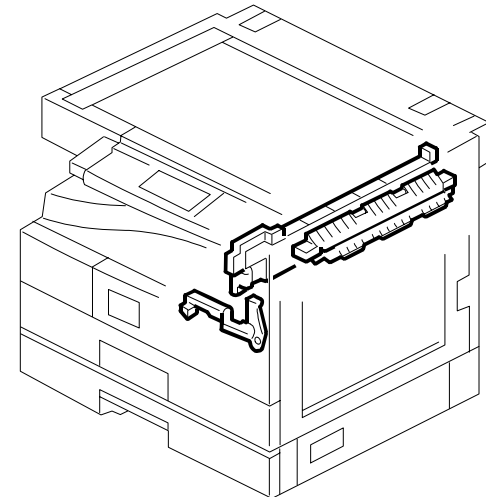
See Page 39

17. FUSING UNIT



See Page 41

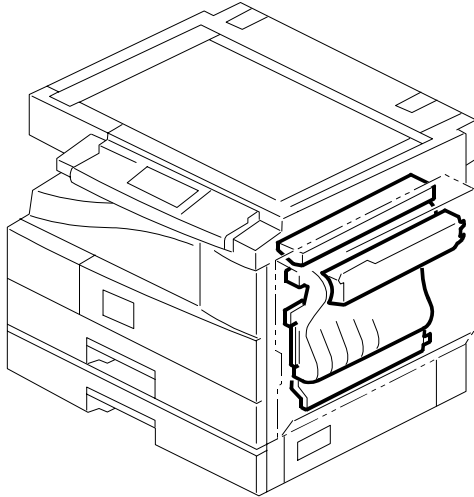
18. PAPER EXIT SECTION



See Page 43

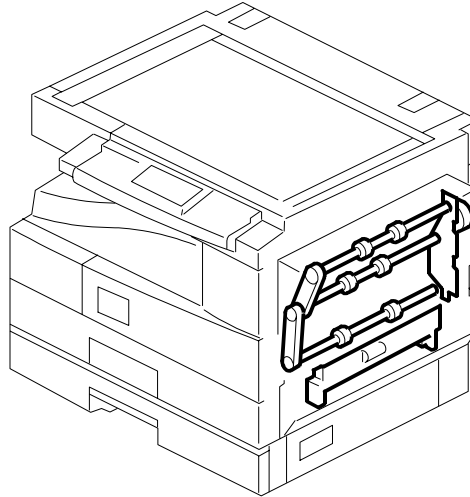
LOCATIONS OF UNITS

19. DUPLEX UNIT 1 (B123/B261)



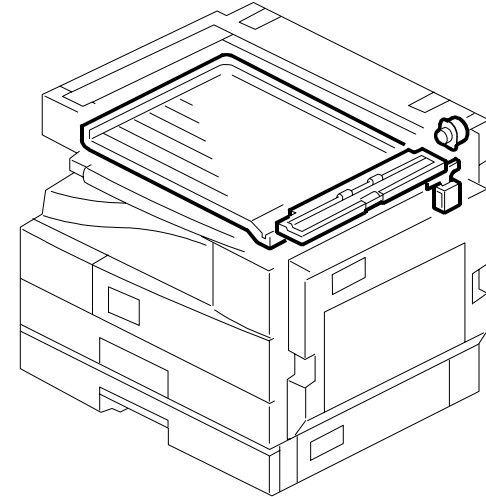
See Page 45

20. DUPLEX UNIT 2 (B123/B261)



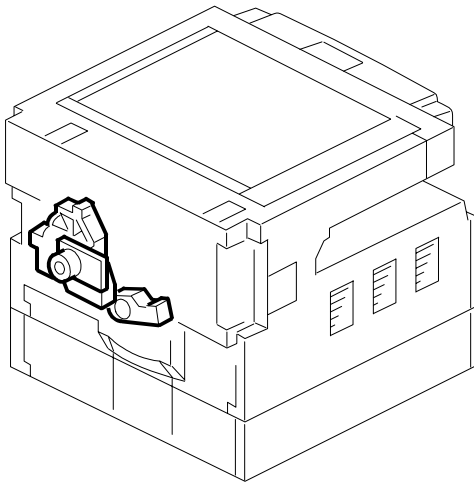
See Page 47

21. DUPLEX UNIT 3 (B123/B261)



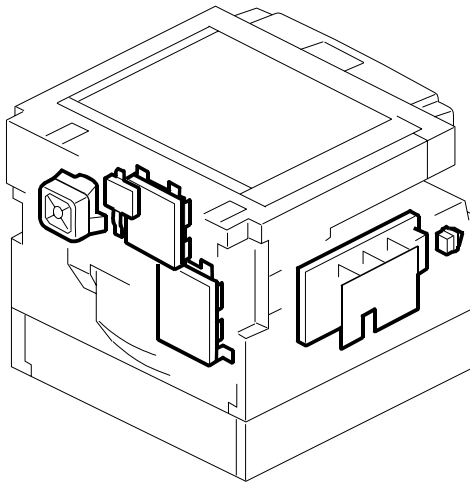
See Page 49

22. DRIVE SECTION



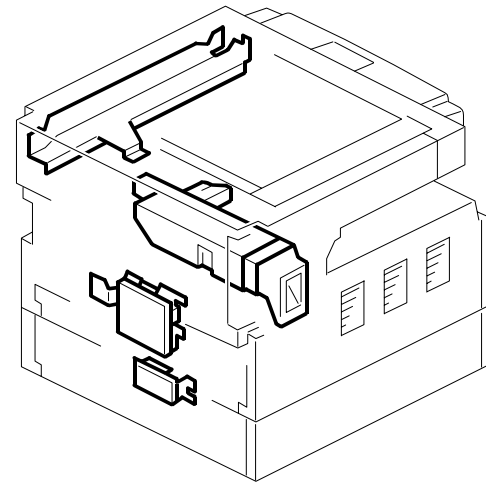
See Page 51

23. ELECTRICAL SECTION 1



See Page 53

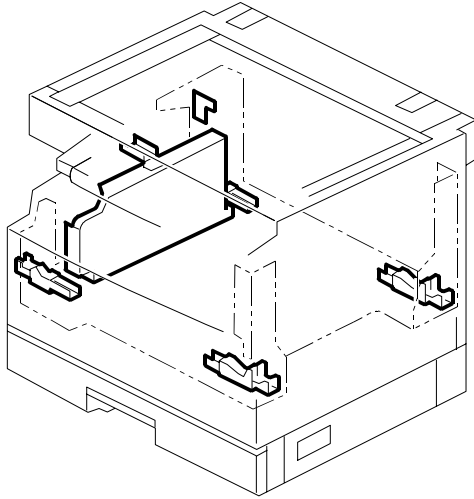
24. ELECTRICAL SECTION 2



See Page 55

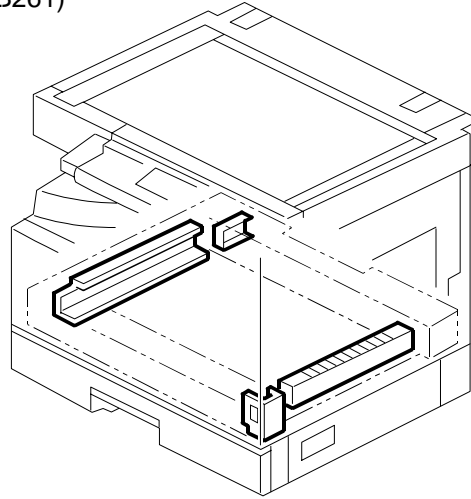
LOCATIONS OF UNITS

25. FRAME SECTION 1



See Page 57

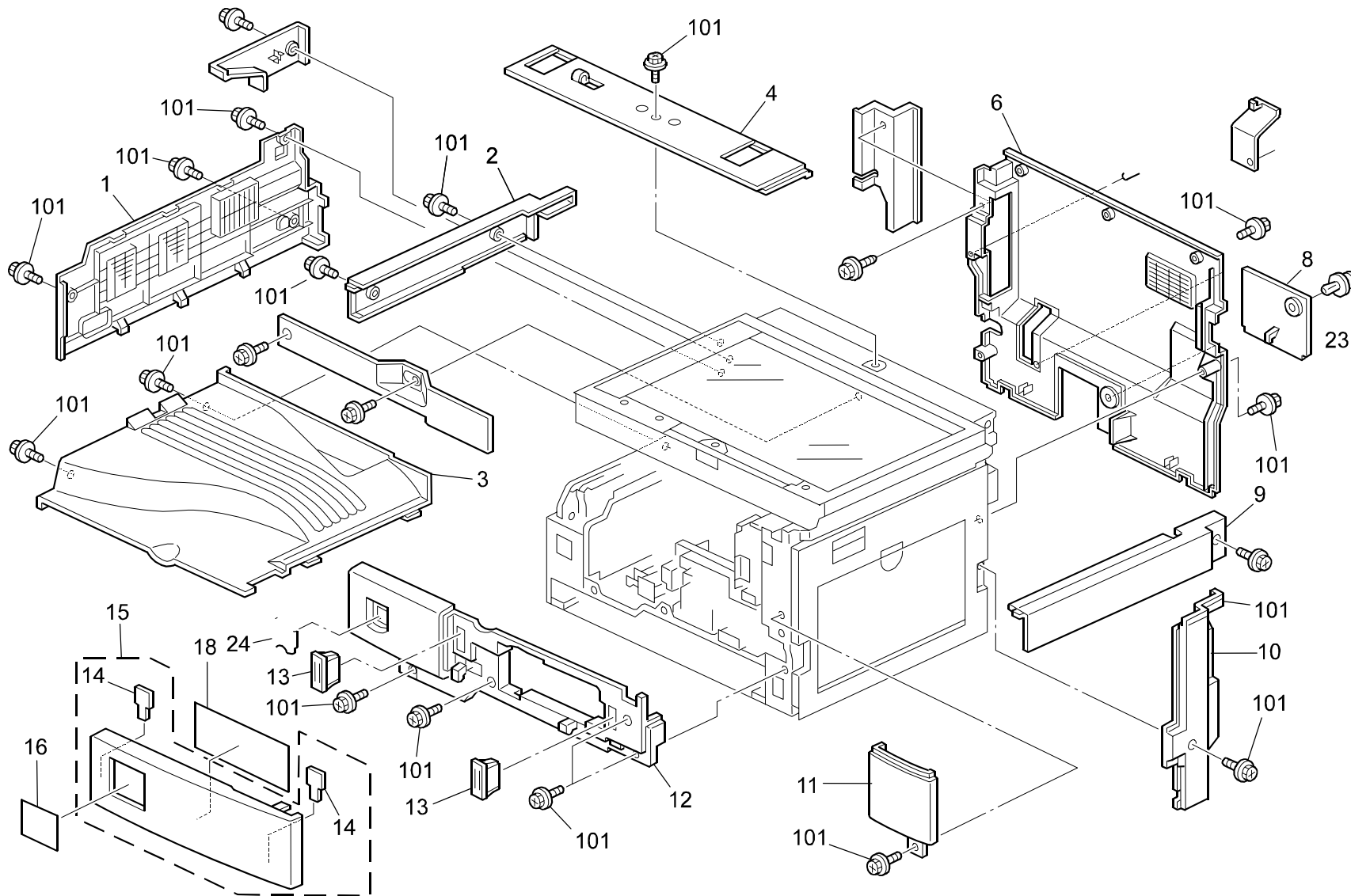
26. FRAME SECTION 2 (B122/B123/B260/
B261)



See Page 59

1.EXTERIOR 1 (B121/B259)

Rev. 11/17/2006



1.EXTERIOR 1 (B121/B259)

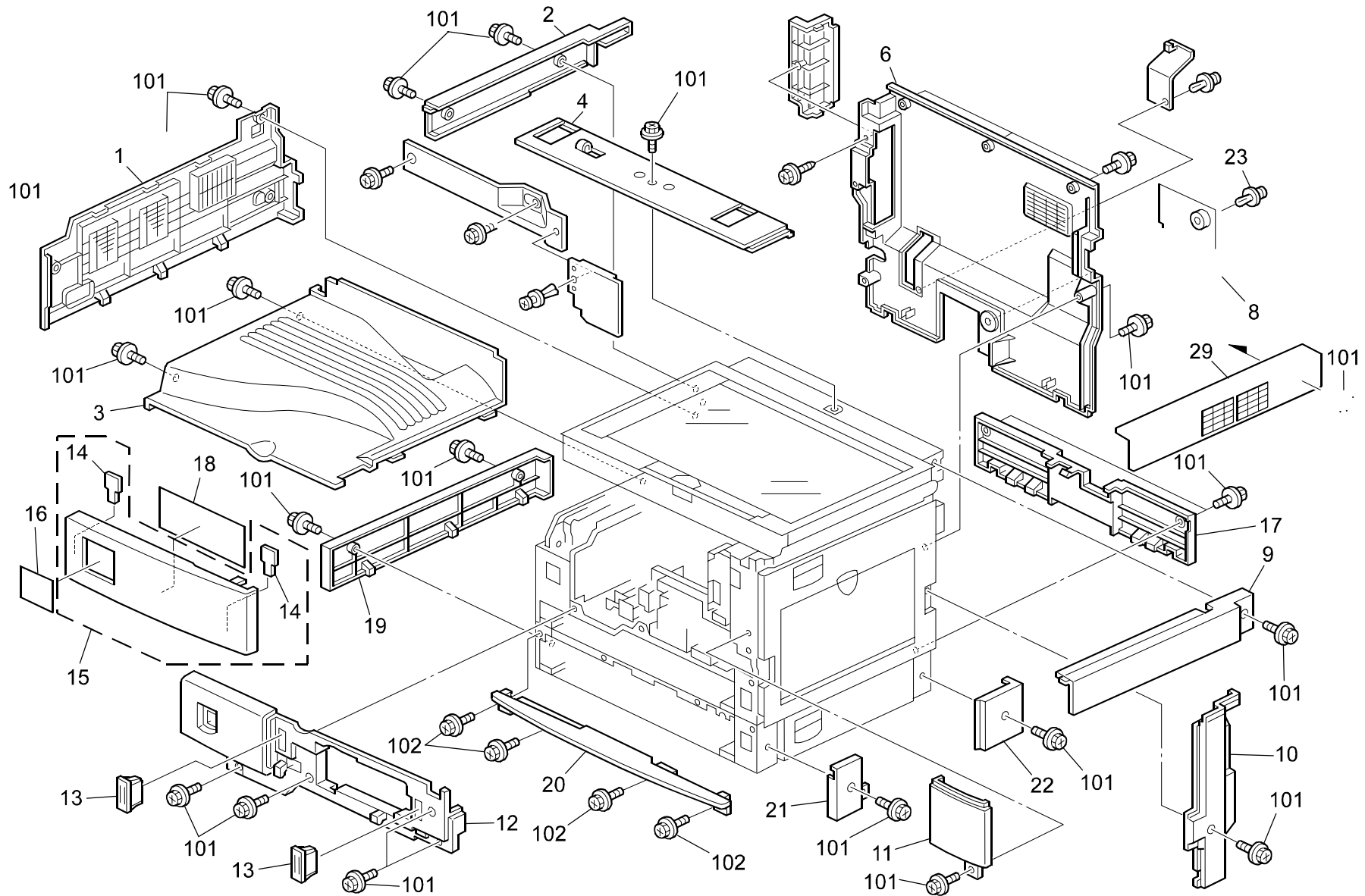
Rev. 12/26/2007

Index No.	Part No.	Description	Q'ty Per Assembly
1	B121 1316	Left Cover NA	1
1	B121 1315	Left Cover EU	1
2	B276 1332	Left Scanner Cover (NA) [TSB#033]	1
2	B039 1302	Left Scanner Cover (EU)	1
3	B276 1354	Exit Cover NA [TSB#033]	1
3	B121 1353	Exit Cover EU	1
4	B276 1333	Rear Scanner Cover (NA) [TSB#033]	1
4	B039 1303	Rear Scanner Cover (EU)	1
5	B121 1314	Application Cap	1
6	B276 1337	Rear Cover NA (B121) [TSB#033]	1
6	B121 1336	Rear Cover B EU (B121)	1
7	B121 1313	IC Card Cap [TSB#005]	1
8	B121 1348	Paper Bank Cap	1
9	B276 1335	Right Scanner Cover (NA) [TSB#033]	1
9	B039 1304	Right Scanner Cover (EU)	1
10	B276 1347	Right Rear Cover (B121 NA) [TSB#033]	1
10	B039 1317	Rear Cover (B121 EU)	1
11	B276 1339	Cover - Front Right Upper (NA) [TSB#033]	1
11	B039 1309	Front Right Upper Cover (EU)	1
12	B276 1351	Front Cover (NA) [TSB#033]	1
12	B039 1350	Front Cover (EU)	1
13	B039 1366	Cover Magnet	2
14	B039 1361	Magnet Catch	2
15	B039 1254	Front Door (RIC NA)	1
15	B039 1253	Front Door (EU)	1
15	B039 1308	Front Door EU (RIC)	1
16	B121 7410	Model Name Plate - B121 - GES NA	1
16	B121 7420	Model Name Plate - B121 - GES	1
16	B121 7421	Model Name Plate - B121 - NSA	1
16	B121 7422	Model Name Plate - B121 - REX	1
16	B121 7424	Model Name Plate - B121 - LAN	1
16	B121 7426	Model Name Plate - B121 - INF	1
16	B121 7427	Model Name Plate - B121-RIC	1
16	B259 7410	Model Name Plate: B259: GES	1
16	B259 7424	Model Name Plate: B259: LAN	1

Index No.	Part No.	Description	Q'ty Per Assembly
16	B259 7427	Model Name Plate: B259: RIC	1
18	B039 1365	Sheet - Operation Instructions	1
19	B039 1367	Rivet - M6	2
20	B039 1364	Rivet - M7	1
21	B121 1322	Left Upper Cover B	1
22	B276 1368	Rear Cover: Exit NA [TSB#033]	1
22	B121 1367	Rear Exit Cover B EU	1
24	B039 1362	Main Switch Cover	1
101	0451 3008H	Tapping Screw - M3x8	
102	0450 4008B	Tapping Screw - 4x8	

2.EXTERIOR 2 (B122/B123/B260/B261)

Rev. 11/17/2006



2.EXTERIOR 2 (B122/B123/B260/B261)

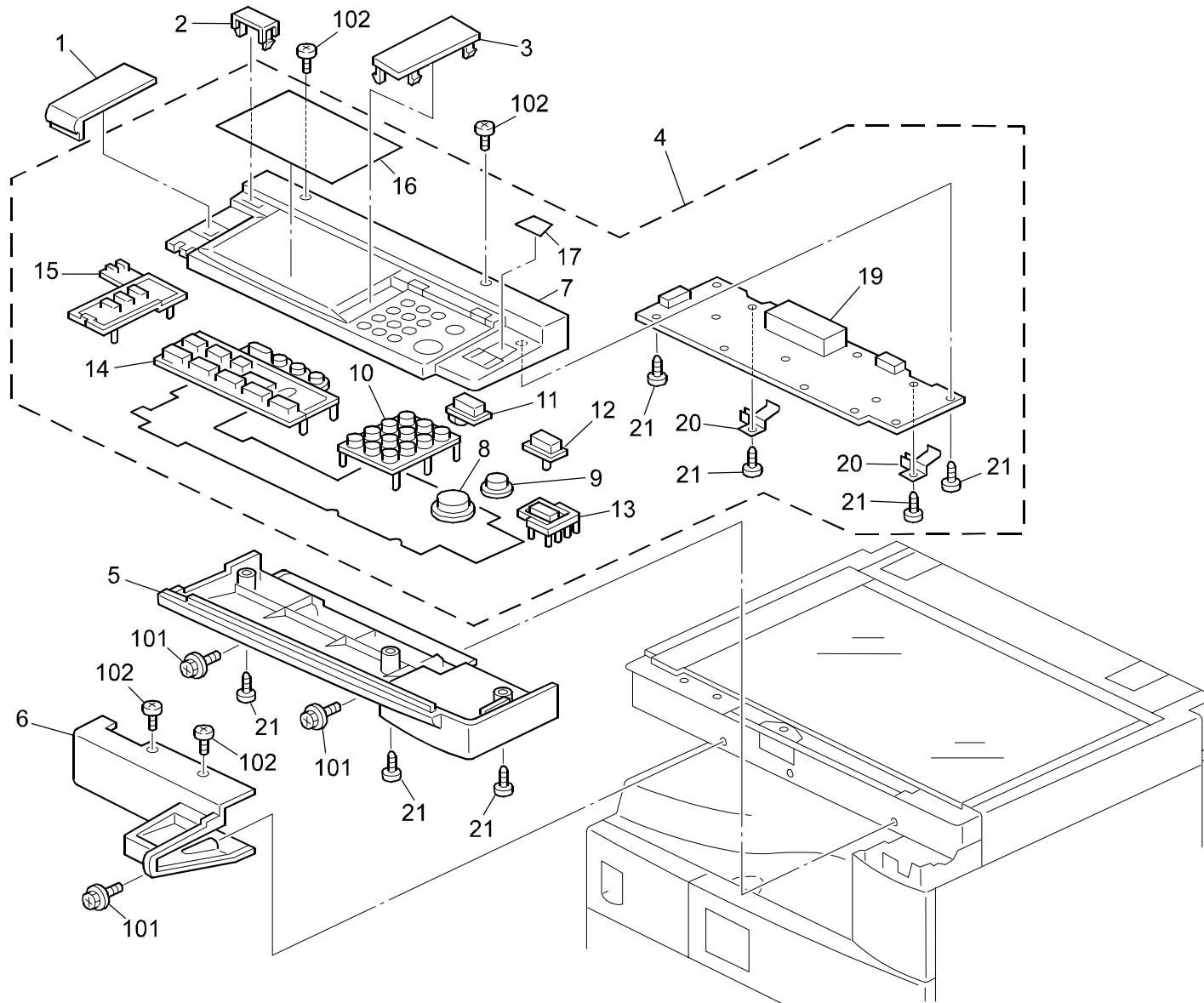
Rev. 12/26/2007

Index No.	Part No.	Description	Q'ty Per Assembly
1	B276 1316	Left Cover NA [TSB#033]	1
1	B121 1315	Left Cover EU	1
2	B276 1332	Left Scanner Cover NA [TSB#032]	1
2	B039 1302	Left Scanner Cover EU [TSB#032]	1
3	B121 1354	Exit Cover NA	1
3	B121 1353	Exit Cover EU	1
4	B039 1333	Rear Scanner Cover	1
5	B121 1314	Application Cap	1
6	B277 1339	Rear Cover NA [TSB#033]	1
6	B122 1338	Rear Cover EU	1
7	B121 1313	IC Card Cap	1
8	B122 1349	Paper Bank Cap	1
9	B039 1335	Right Scanner Cover (NA)	1
9	B039 1304	Right Scanner Cover (EU)	1
10	B277 1347	Right Rear Cover NA [TSB#033]	1
10	B122 1346	Right Rear Cover EU	1
11	B277 1310	Right Upper Front Cover NA [TSB#033]	1
11	B122 1309	Right Upper Front Cover EU	1
12	B039 1351	Front Cover (NA)	1
12	B039 1350	Front Cover (EU)	1
13	B039 1366	Cover Magnet	2
14	B039 1361	Magnet Catch	2
15	B039 1254	Front Door	1
16	B122 7410	Model Name Plate - B122 - GES NA	1
16	B122 7420	Model Name Plate - B122 - GES	1
16	B122 7421	Model Name Plate - B122 - NSA	1
16	B122 7422	Model Name Plate - B122 - REX	1
16	B122 7424	Model Name Plate - B122 - LAN	1
16	B122 7426	Model Name Plate - B122 - INF	1
16	B122 7427	Model Name Plate (B122 RIC)	1
16	B123 7424	Model Name Plate - B123 - LAN	1
16	B123 7426	Model Name Plate - B123 - INF	1
16	B123 7427	Model Name Plate (B123 RIC)	1
16	B260 7410	Model Name Plate: B260: GES	1
16	B260 7424	Model Name Plate: B260: LAN	1

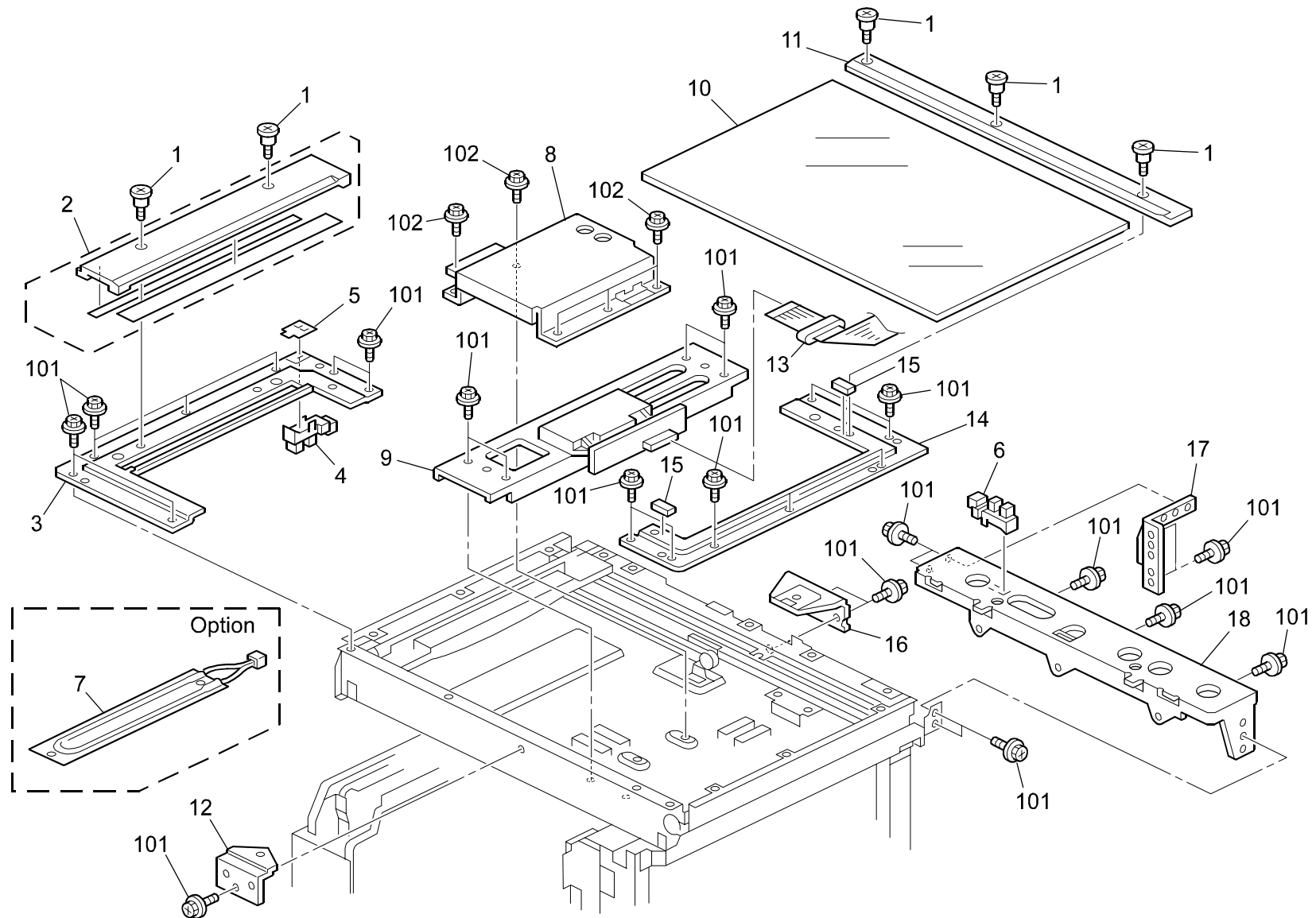
Index No.	Part No.	Description	Q'ty Per Assembly
16	B260 7427	Model Name Plate: B260: RIC	1
16	B261 7410	Model Name Plate: B261: GES	1
16	B261 7424	Model Name Plate: B261: LAN	1
16	B261 7427	Model Name Plate: B261: RIC	1
17	B276 6139	Rear Lower Cover (NA) [TSB#033]	1
17	B040 6138	Rear Lower Cover (EU)	1
18	B039 1365	Sheet - Operation Instructions	1
19	B276 6136	Left Lower Cover (NA) [TSB#033]	1
19	B040 6135	Left Lower Cover (EU)	1
20	B040 6126	Front Lower Cover	1
21	B040 6131	Cover - Right Lower Front	1
22	B040 6140	Cover - Right Lower Rear	1
23	B039 1364	Rivet - M7	1
24	B039 1367	Rivet - M6	2
25	B122 1323	Left Upper Cover	1
26	B277 1370	Rear Exit Cover NA [TSB#033]	1
26	B122 1369	Rear Exit Cover EU	1
27	B277 1372	Sorter Cover NA [TSB#033]	1
27	B122 1371	Sorter Cap EU	1
29	B122 1380	Right Upper Cover EU (B122)	1
29	B122 1381	Right Upper Cover NA (B122)	1
30	B039 1362	Main Switch Cover	1
101	0451 3008H	Tapping Screw - M3x8	
102	0451 3006B	Tapping Screw - M3x6	
103	0450 4008B	Tapping Screw - 4x8	

3.OPERATION PANEL

Rev. 08/04/2004



4.OPTICS SECTION 1

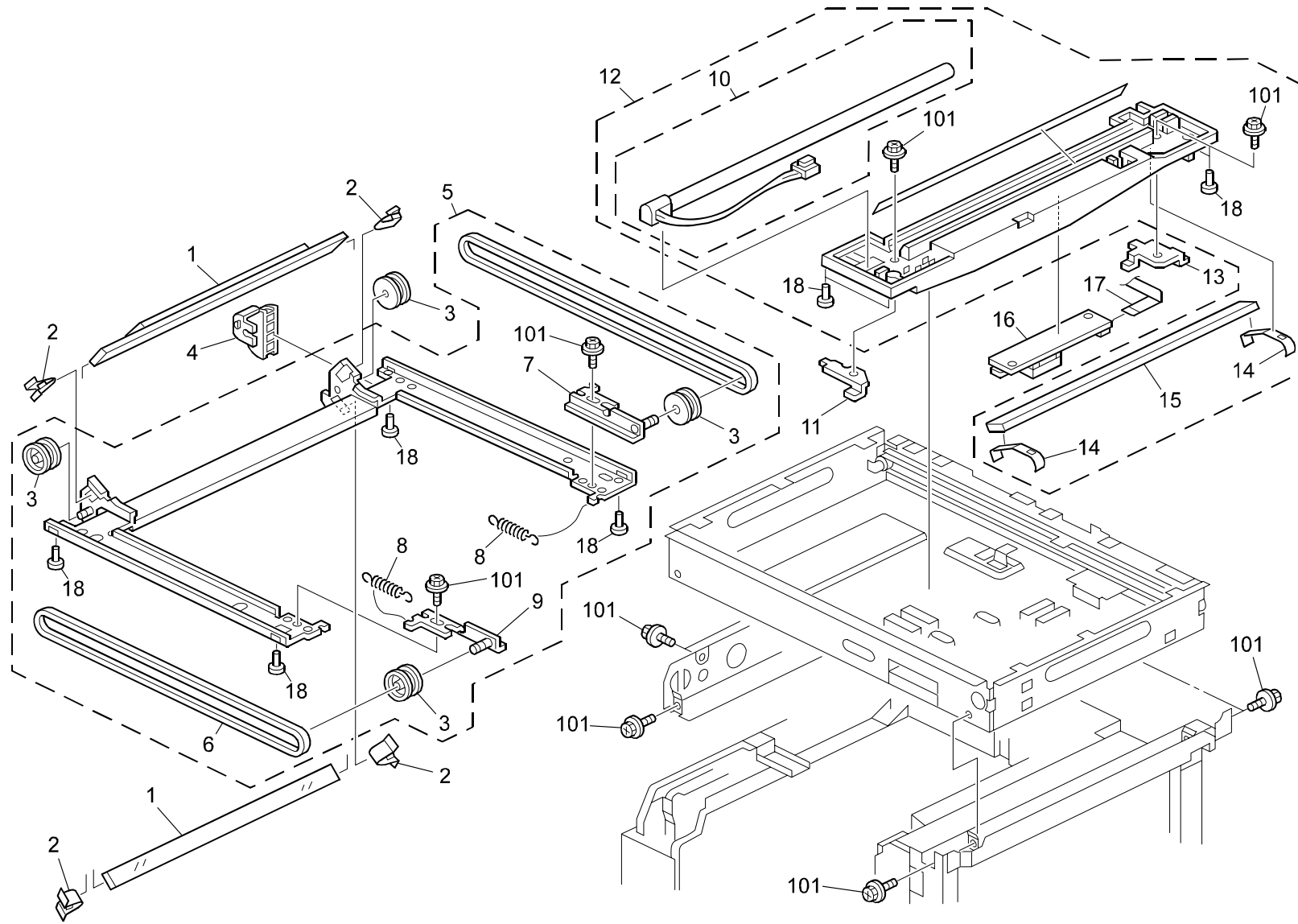


4.OPTICS SECTION 1

Rev. 07/20/2010

Index No.	Part No.	Description	Q'ty Per Assembly
1	B390 1759	Shaft: Scale	5
2	AC04 2166	Left Scale	1
3	B039 1710	Left Scanner Bracket	1
4	AW02 0086	Photointerruptor (B121 Series)	1
4	AW02 0156	Photointerruptor (B259 Series)	1
5	A193 1705	Sheet: Photointerruptor	1
6	AW02 0119	Photointerruptor - LG-248L1 (B121 Series)	2
6	GW02 0020	Photointerruptor - LG-248L1 (B259 Series)	2
7	A250 1821	Heater - 9W (Option) (NA)	1
7	A250 1822	Heater - 9W (Option) (EU)	1
8	B121 1808	Inner Cover	1
9	B259 1813	Holder: Lens: Ass'y	1
10	AC01 2068	Exposure Glass	1
11	AC04 2164	Rear Scale	1
12	B039 1666	Bracket - Operation Panel	1
13	B121 1804	Harness: FFC: Ass'y (B121 Series)	1
13	B259 1804	Harness: FFC: Ass'y (B259 Series)	1
14	B039 1712	Right Scanner Bracket	1
15	5442 1924	Exposure Glass Cushion	2
16	B039 1658	Rear Scale Bracket	1
17	B121 1069	Support Bracket	1
18	B039 1068	ADF Bracket	1

Index No.	Part No.	Description	Q'ty Per Assembly
101	0451 3006B	Tapping Screw - M3x6	
102	0802 5276	Tapping Screw with Washer - M3x6	



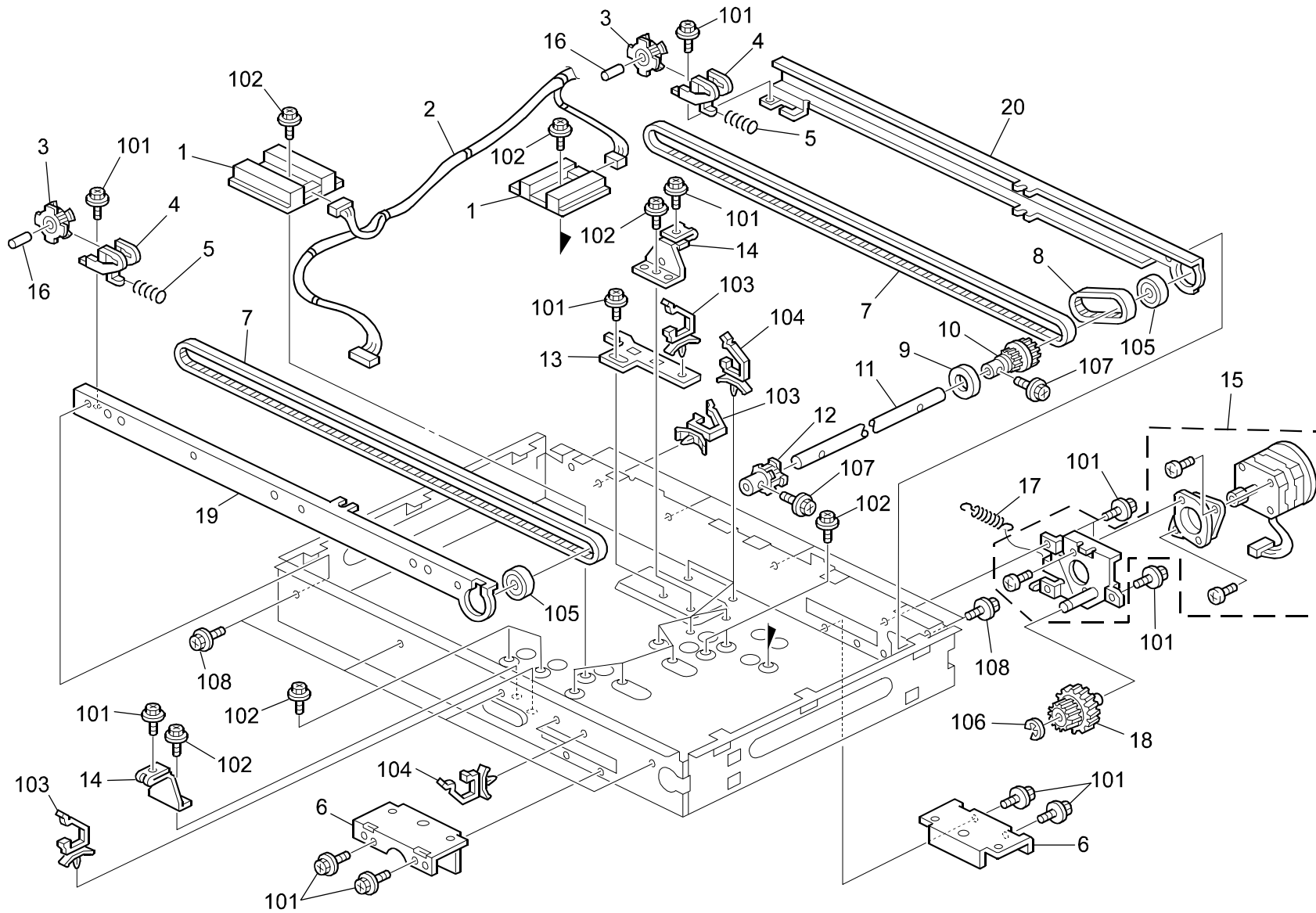
5.OPTICS SECTION 2

Rev. 01/27/2006

Index No.	Part No.	Description	Q'ty Per Assembly
1	B039 1787	2nd Mirror	2
2	B039 1781	2nd Mirror Holder	4
3	B039 1785	Scanner Drive Pulley	4
4	B121 1782	Flexible Board Guide	1
5	B121 1768	Carriage No.2 Ass'y (B121 series)	1
5	B259 1768	Carriage No.2 Ass'y (B259 series)	1
6	B039 1784	Scanner Drive Belt	2
7	B039 1778	Bracket: Belt: Pulley: Idler: Rear (B121 series)	1
7	B259 1778	Bracket: Belt: Pulley: Idler: Rear (B259 series)	1
8	B039 1790	Tension Spring	2
9	B039 1776	Bracket: Belt: Pulley: Idler: Front (B121 series)	1
9	B259 1776	Bracket: Belt: Pulley: Idler: Front (B259 series)	1
10	B121 1757	Xenon Lamp Mm8 26000/70	1
11	B039 1758	Timing Belt Holder - Front	1
12	B121 1751	No.1 Carriage Ass'y	1
13	B039 1759	Timing Belt Holder - Rear	1
14	B121 1766	No.1 Mirror Clamp	2
15	B121 1762	No.1 Mirror	1
16	B039 1763	Stabilizer: Xenon Lamp (B121 series)	1
16	B259 1763	Stabilizer: Xenon Lamp (B259 series)	1
17	B121 5223	Harness - Scanner Stabilizer	1
18	G570 2730	Slider - Scanner	8

Index No.	Part No.	Description	Q'ty Per Assembly
101	0451 3006B	Tapping Screw - M3x6	

6.OPTICS SECTION 3



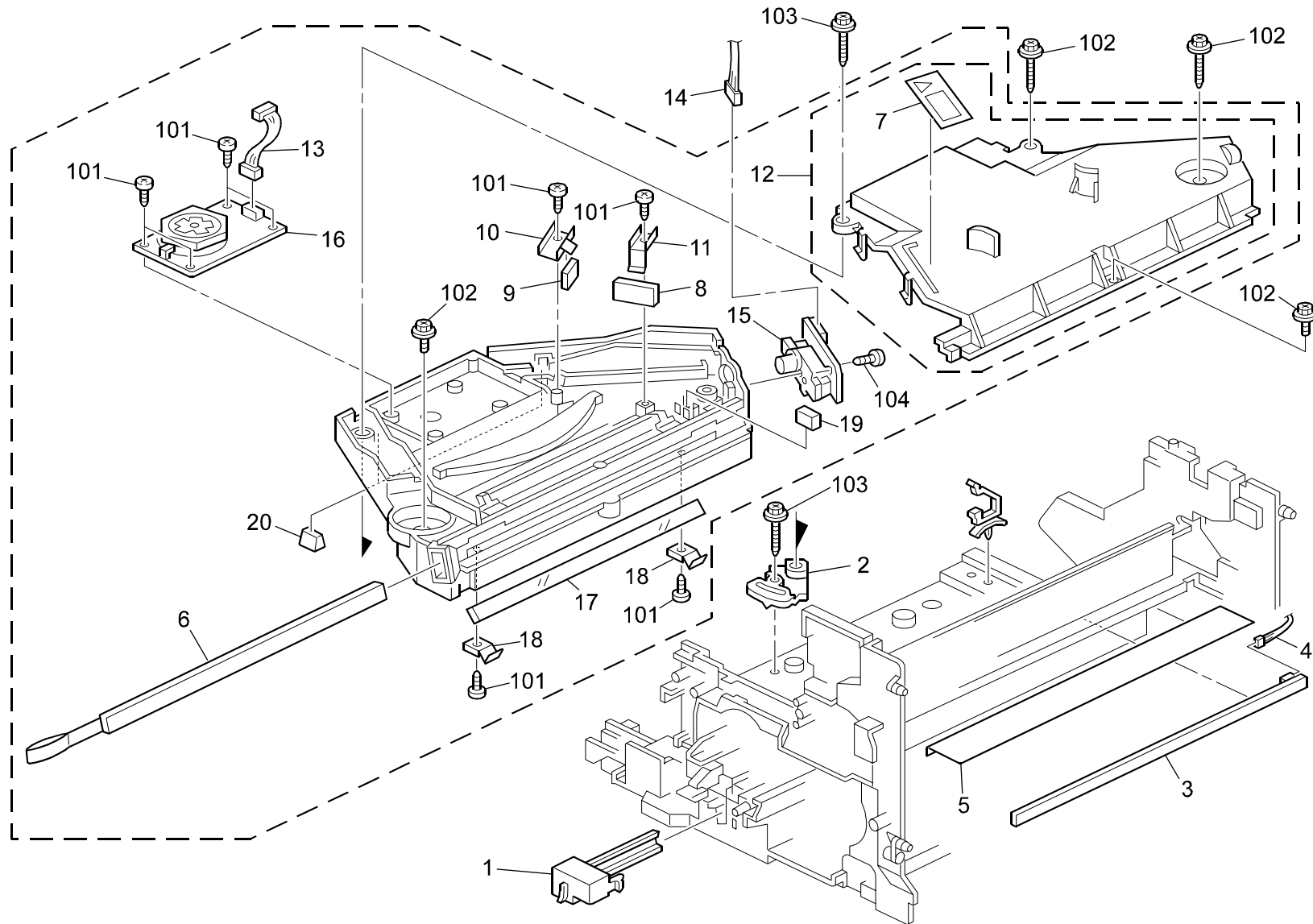
6.OPTICS SECTION 3

Rev. 02/01/2021

Index No.	Part No.	Description	Q'ty Per Assembly
1	A250 1761	Original Sensor - H=2-66 (B121 Series)	2
1	AW01 0126	Original Sensor - H=2-66 (B259 Series)	2
2	B121 5222	Harness - Scanner	1
3	B039 1703	Pulley - 37Z	2
4	B039 1705	Bracket: Idler	2
5	B039 1704	Spring - Timing Pulley	2
6	B121 1667	Lens Stay Bracket	2
7	B039 1697	Timing Belt - 1058.25XL	2
8	B121 1696	Timing Belt L147	1
9	B039 1695	Flange - Pulley	1
10	B039 1694	Pulley - 37/41Z	1
11	B039 1691	Shaft - Scanner Drive (B121 Series)	1
11	B259 1691	Shaft - Scanner Drive (B259 Series)	1
12	B039 1692	Pulley - 37Z	1
13	B039 1668	Bracket - Stabilizer Harness	1
14	B121 1664	Bracket - Timing Belt	1
15	B039 1699	Stepper Motor: MM42: 2.9W	1
16	B039 1702	Shaft - Pulley (B121 Series)	2
16	B259 1702	Shaft - Pulley (B259 Series)	2
17	B039 1683	Tension Spring - Stepper Motor	1
18	B121 1680	Gear - 53Z/60Z	1
19	B039 1662	Front Scanner Frame	1
20	B039 1663	Rear Scanner Frame	1

Index No.	Part No.	Description	Q'ty Per Assembly
101	0451 3006B	Tapping Screw - M3x6	
102	0802 5276	Tapping Screw with Washer - M3x6	
103	1105 0511	Harness Clamp - LWS-0306ZC	
104	1105 0487	Harness Clamp	
105	0805 3530	Bearing 8x22x7	
106	0720 0060E	Retaining Ring - M6	
107	0360 3006W	Philips Pan Head Screw- M3x6	
108	0453 3006B	Tapping Screw - M3x6	

7.LASER UNIT



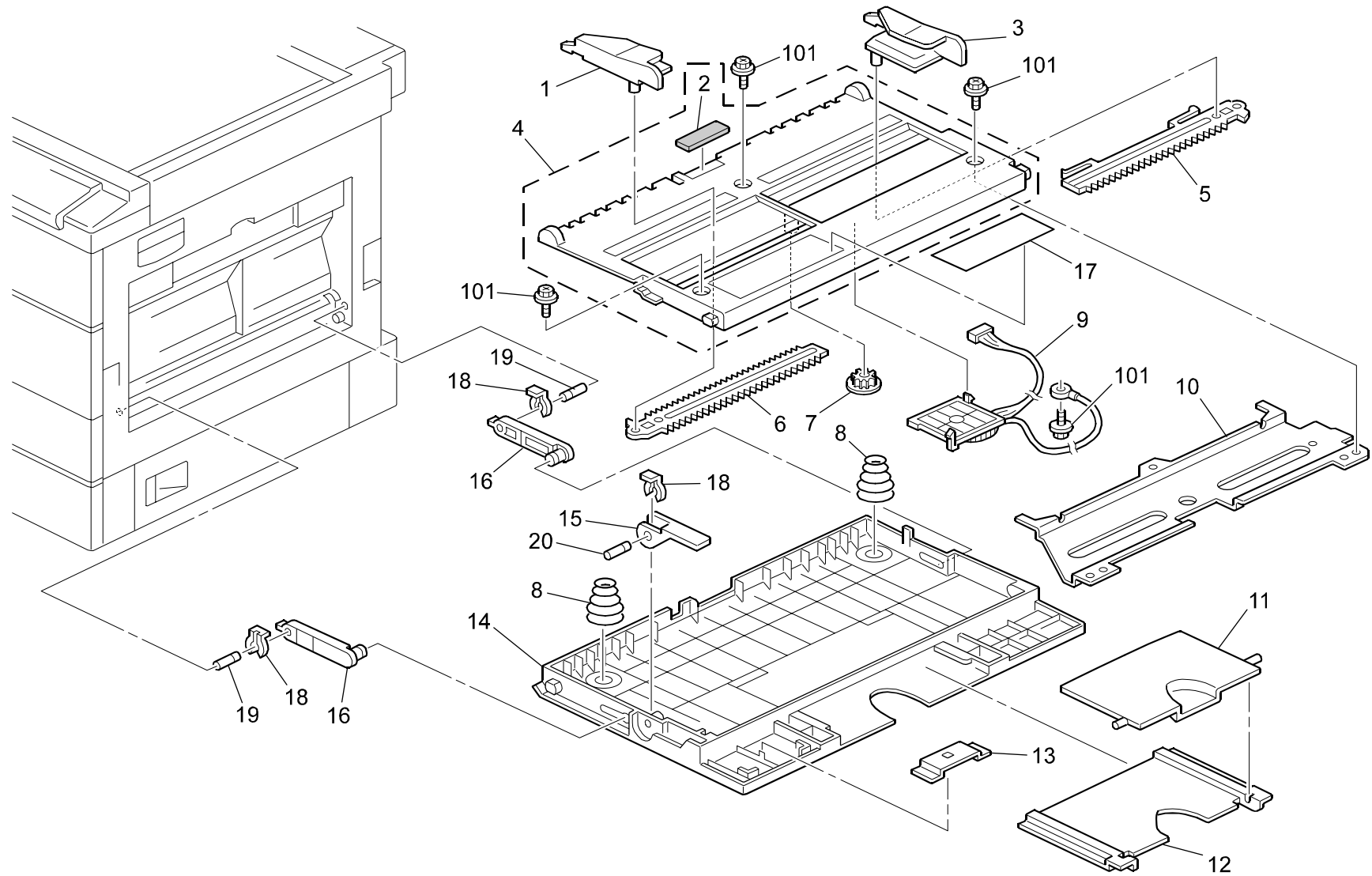
7.LASER UNIT

Rev. 12/02/2014

Index No.	Part No.	Description	Q'ty Per Assembly
*	B121 1877	Imaging Unit Ass'y (B121 series)	1
*	B259 1876	Imaging Unit Ass'y (B259 series)	1
1	B276 1251	Shield Glass Cover [TSB#033]	1
2	B039 1905	Adjusting Plate	1
3	B039 2380	Quenching Lamp (B121 series)	1
3	B259 2380	Discharge Lamp: QL (B259 series)	1
4	B121 5204	Harness - Discharge Lamp	1
5	B039 1088	Sheet - Duct	1
6	B283 1961	Shield Glass	1
7	G029 1980	Decal - LD	1
8	AC03 0139	Sync Detector Mirror	1
9	AC02 4009	Cylindrical Lens	1
10	B039 1942	Cylindrical Lens Holder	1
11	B039 1954	Holder - Sync Detector Mirror	1
12	B039 1972	Cover: Optical Housing	1
13	B121 5439	Harness - Polygon Mirror Motor	1
14	B121 5250	Harness - LDD	1
15	B276 1917	Laser Diode Unit Ass'y	1
16	AX06 0267	Polygon Scanner 23622 rpm (B121 series)	1
16	AX06 0323	Polygon Scanner 23622 rpm (B259 series)	1
17	AC03 0138	2nd Mirror	1
18	B039 1953	2nd Mirror Holder	2
19	AC02 0095	Sync Detector Lens	1
20	B039 1975	Rubber Supporter	2

Index No.	Part No.	Description	Q'ty Per Assembly
101	0452 3010B	Tapping Bind Screw - M3x10	
102	0450 3012B	Tapping Screw -3x12	
103	0450 3020B	Tapping Screw - M3x20	
104	0452 3014B	Tapping Screw - M3x14	

8.BY-PASS FEED SECTION



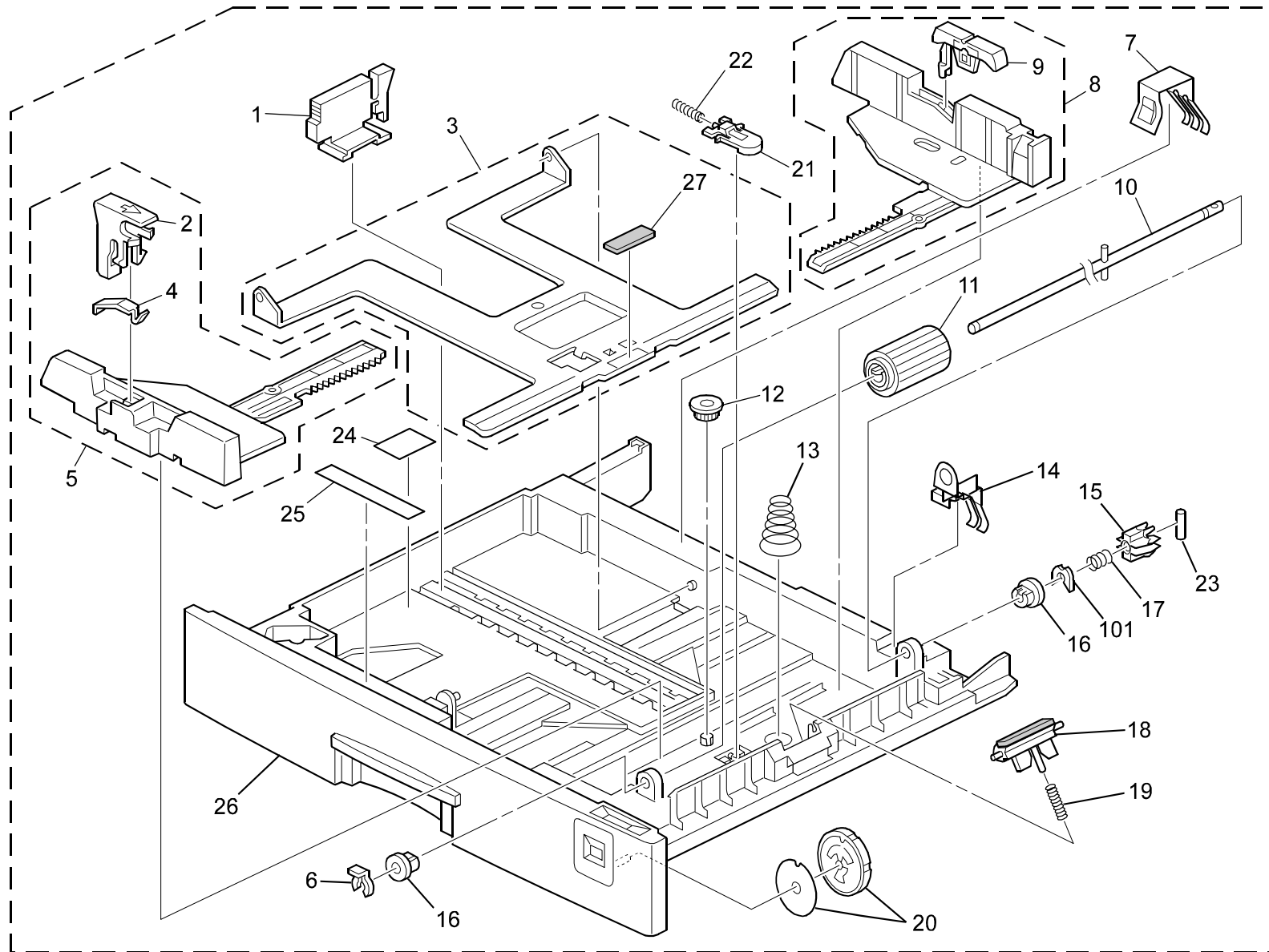
8.BY-PASS FEED SECTION

Rev. 03/04/2021

Index No.	Part No.	Description	Q'ty Per Assembly
*	B039 2601	Manual Feed Table: Ass'y	1
1	B039 2631	Front Side Fence	1
2	D158 2629	Pad: Manual Feed	1
3	B039 2632	Rear Side Fence	1
4	B039 2630	Tray Bottom Plate	1
5	B039 2638	Rack - Rear Side Fence	1
6	B039 2637	Rack - Front Side Fence	1
7	G012 3050	Side Fence Gear	1
8	AA06 3643	Spring - By-Pass Feed Table	2
9	B039 2645	Rotary Switch (B121 series)	1
9	B039 2645	Rotary Switch: Paper Size Sensor (B259 series)	1
10	B039 2629	Stay - Tray Bottom Plate	1
11	B039 2620	Paper Guide - Extension	1
12	B039 2621	Paper Guide	1
13	B121 2617	Magnet Catch - By-Pass Feed	1
14	B039 2619	By-Pass Feed Table	1
15	G020 2784	Lever - By-Pass Feed Table	1
16	B039 2643	Link - By-Pass Feed Table	2
17	B039 2633	Decal - By-Pass Feed	1
18	5447 2681	Snap Ring	3
19	B039 2642	Pin - Link (B121 series)	2
19	B259 2642	Pin: MM6 (B259 series)	2
20	G020 2786	Shaft - By-Pass Release Lever (B121 series)	1
20	B259 2786	Shaft: Lever (B259 series)	1

Index No.	Part No.	Description	Q'ty Per Assembly
101	0451 3008H	Tapping Screw - M3x8	

9.PAPER CASSETTE



9.PAPER CASSETTE

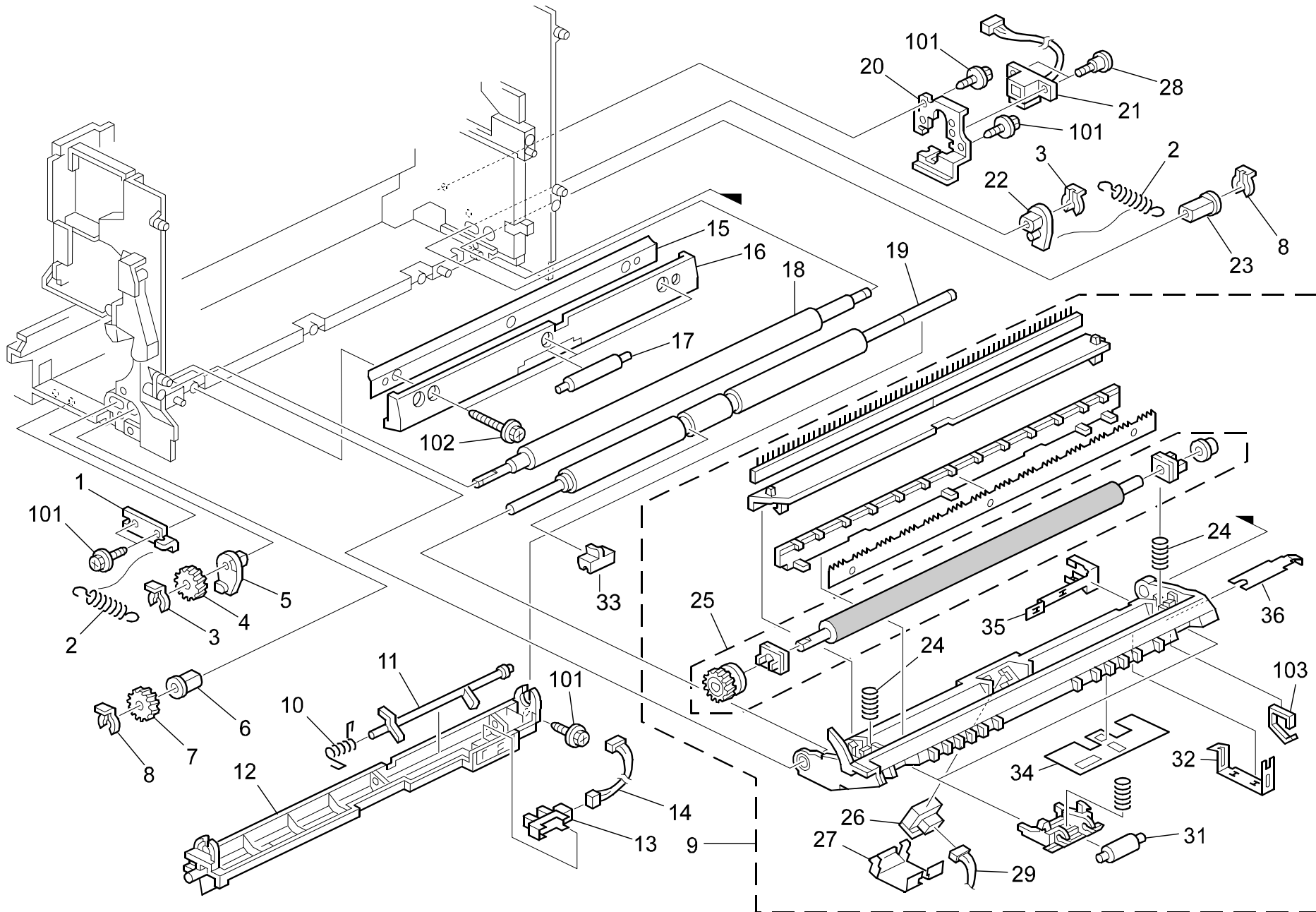
Rev. 01/30/2006

Index No.	Part No.	Description	Q'ty Per Assembly
*	B039 2840	Paper Tray Assembly - A4	1
*	B039 2841	Paper Tray Assembly - LT	1
1	G020 2644	End Fence	1
2	B039 2704	Front Stopper Lever	1
3	B039 2701	Tray Bottom Plate	1
4	B039 2707	Spring Plate - Side Fence	1
5	B039 2734	Side Fence - Front - Ass'y	1
6	5215 2621	Snap Ring - M6	1
7	B039 2712	Ground Plate - Tray Bottom Plate	1
8	B039 2731	Side Fence - Rear - Ass'y	1
9	B039 2821	Rear Stopper Lever	1
10	B039 2737	Shaft - Paper Feed Roller (B121 series)	2
10	B259 2737	Shaft: Paper Feed Roller: Ass'y (B259 series)	2
11	B039 2740	Paper Feed Roller	2
12	A267 2869	Gear - 16Z	1
13	B039 2719	Spring - Tray Bottom Plate	1
14	B039 2742	Ground Plate - Paper Feed Roller	1
15	B039 2823	Joint - Paper Feed Roller	1
16	B039 2727	Bushing - 8x12x10	2
17	B039 2732	Spring - Paper Feed Roller	1
18	B039 2711	Friction Pad	1
19	B039 2713	Spring - Friction Pad	1
20	B039 2724	Paper Size Detector - A4	1
20	B039 2829	Paper Size Detector - LT	1
21	A250 2808	Stopper Base	1
22	G020 2599	Spring - Release Lever	1
23	B039 2739	Shaft - Joint	1
24	B039 2720	Decal - Cassette Operation DLT	1
25	B039 2721	Decal - Cassette Operation	1
26	B039 2700	Paper Tray	1
27	5215 2713	Bottom Plate Pad	1

Index No.	Part No.	Description	Q'ty Per Assembly
101	0805 0088	Retaining Ring - M6	

10.PAPER REGISTRATION

Rev. 11/17/2006



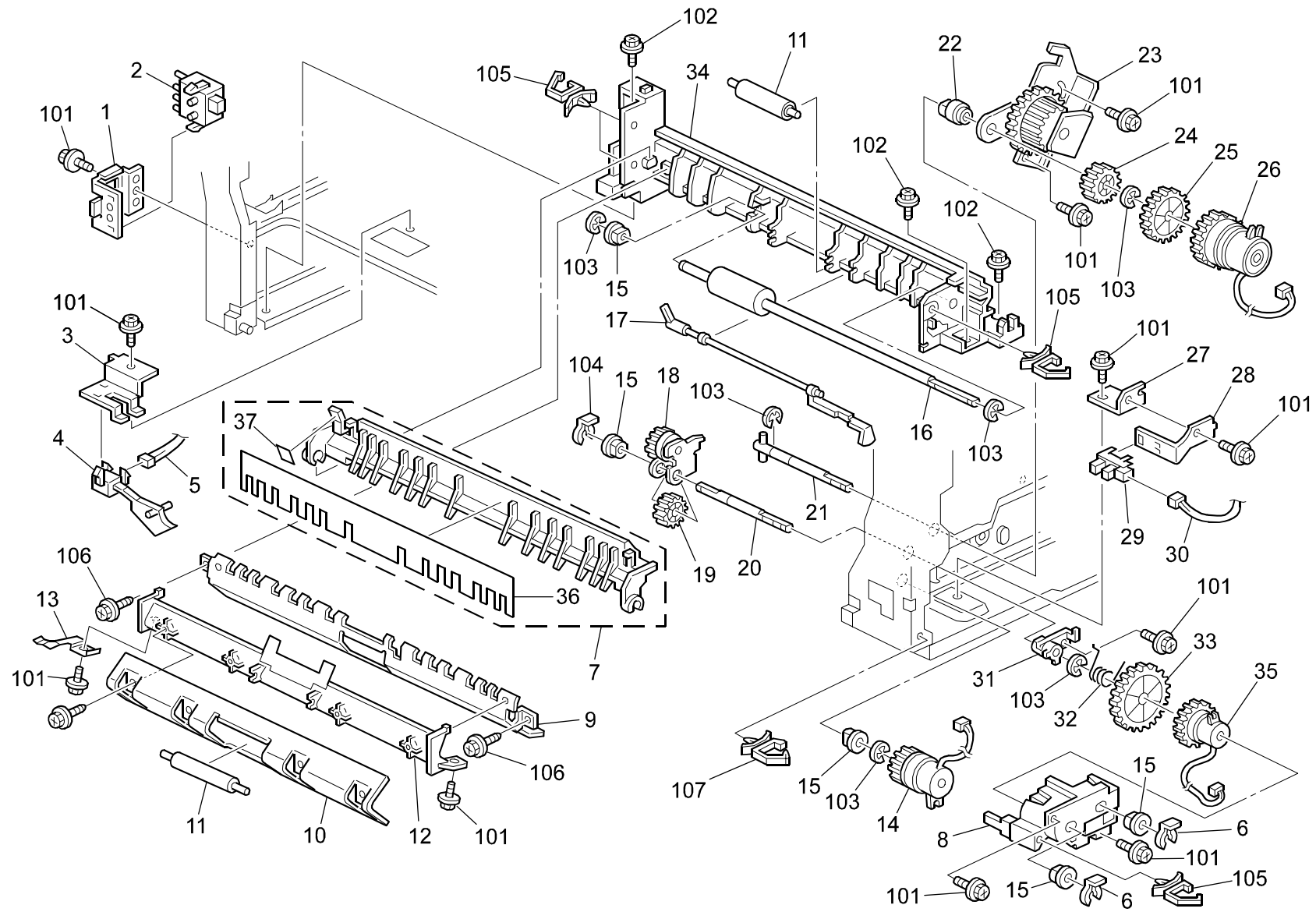
10.PAPER REGISTRATION

Rev. 04/29/2013

Index No.	Part No.	Description	Q'ty Per Assembly
1	B039 2575	Bracket - Registration Roller	1
2	AA06 2254	Registration Roller Spring	2
3	5447 2681	Snap Ring	2
4	AB01 2312	Gear - 16Z	1
5	AA08 0342	Front Bushing - Registration Roller [TSB#027]	1
6	AA08 0267	Bushing - 8x12x18	1
7	AB01 2311	Gear - 18Z	1
8	AA10 0015	Snap Ring - M6	2
9	B121 3804	Transfer Unit	1
10	AA06 6342	Registration Sensor Spring	1
11	B039 2570	Registration Feeler	1
12	B039 2567	Guide - Right Registration Roller	1
13	AW02 0119	Photointerruptor - LG-248L1 (B121 series)	1
13	GW02 0020	Photointerruptor - LG-248NL1 (B259 series)	1
14	B121 5202	Harness - Registration Sensor	1
15	B039 2560	Registration Cleaning Mylar	1
16	B039 2572	Guide - Left Registration Roller	1
17	B039 2558	Driven Roller	1
18	AF02 1080	Left Registration Roller (B121 series)	1
18	B259 2571	Reg. Roller: Driven: DIA16 (B259 series)	1
19	AF02 0541	Right Registration Roller (B121 series)	1
19	B259 2562	Registration Roller: Drive (B259 series)	1
20	B039 1130	Development Sensor Bracket	1
21	B121 5248	Harness - Development Sensor	1
22	AA08 0343	Rear Bushing - Registration Roller [TSB#027]	1
23	AA08 2177	Bushing: Dia8: 22	1
24	AA06 3607	Pressure Spring	2
25	B039 3820	Transfer Roller	1
26	B259 3890	Density Sensor (B121 series)	1
26	B259 3890	Density Sensor: Laser Diode: Ass'y (B259 series)	1
27	B039 3891	ID Sensor Cover	1
28	B259 1131	Screw: PCU	1
29	B121 5206	Harness - Density Sensor	1
31	B039 3867	Roller - Transfer Unit	2
32	B039 3863	Quenching Terminal Plate	1

Index No.	Part No.	Description	Q'ty Per Assembly
33	B043 2554	Registration Guide Spacer	1
34	B121 3860	Harness Cover	1
35	B039 3864	Quenching Terminal Plate-front	1
36	B039 3865	Transfer Terminal Plate	1
101	0450 3008B	Tapping Screw - M3x8	
102	0450 3012B	Tapping Screw -3x12	
103	1105 0522	Edge Saddle - Les0510	

11.1ST PAPER FEED SECTION



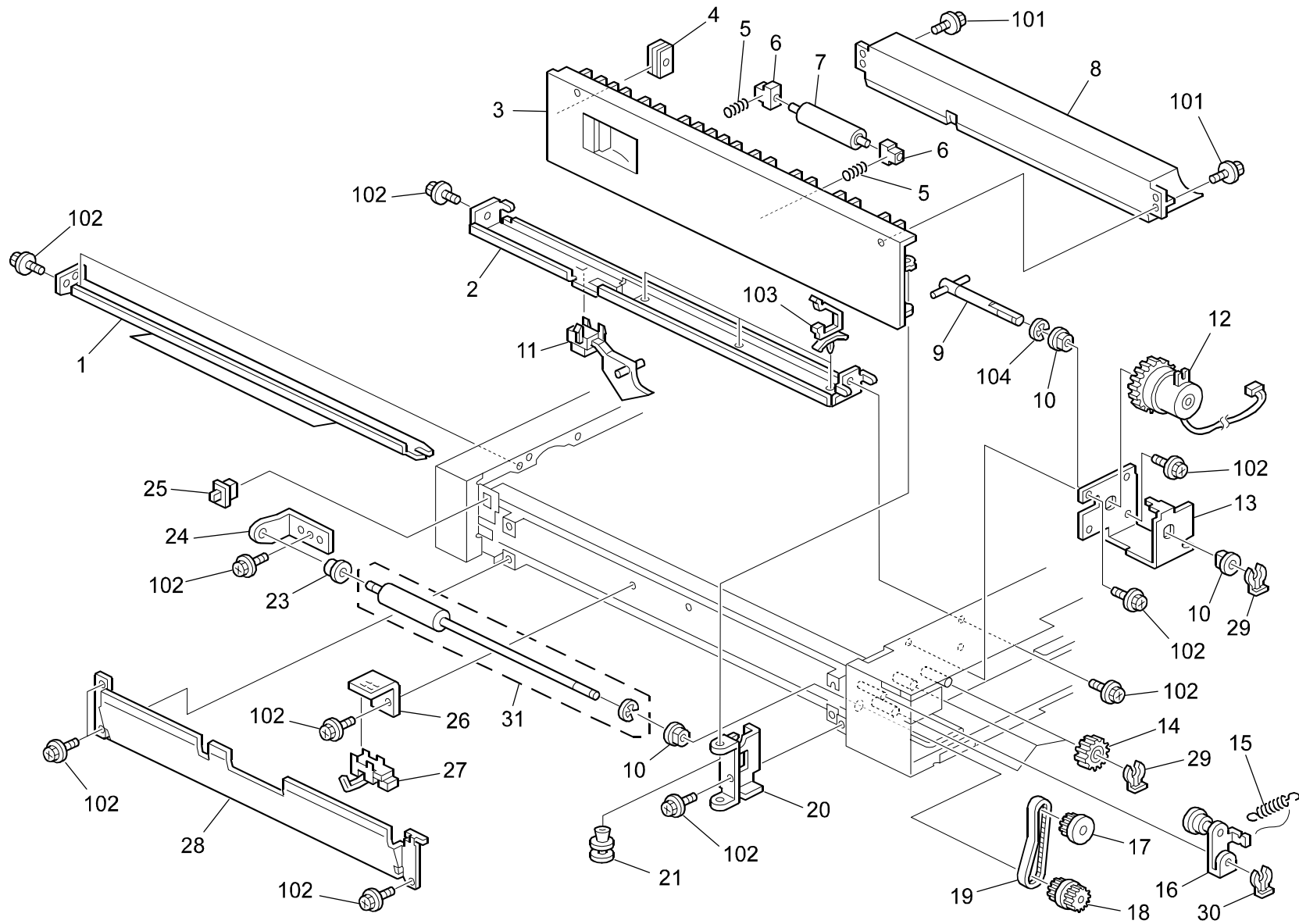
11.1ST PAPER FEED SECTION

Rev. 01/30/2006

Index No.	Part No.	Description	Q'ty Per Assembly
1	B039 2754	Bracket - Paper Size Sensor	1
2	G800 3035	Push Sw - Paper Size	1
3	B039 2736	Bracket - Paper End Sensor	1
4	B039 2730	Paper End Sensor	1
5	B121 5215	Harness - Paper End Sensor No.1	1
6	5447 2681	Snap Ring	2
7	B039 2585	Exit Guide Plate	1
8	B039 1142	Housing - Paper Feed	1
9	B039 2766	Guide Plate - Transport Roller	1
10	B039 2797	Guide Plate - Transport Roller	1
11	B039 2558	Driven Roller	2
12	B039 2795	Guide Plate - Transport	1
13	B039 2825	Ground Plate - Vertical Transport	1
14	AX20 0265	Magnetic Clutch 0.35n M Z31	1
15	AA08 2101	Bushing - 6x10x6	5
16	B039 2576	Transport Roller (B121 series)	1
16	B259 2576	Transport Roller (B259 series)	1
17	B039 2583	Vertical Transport Feeler	1
18	B039 1194	Bracket - By-pass Feed (B121 series)	1
18	B259 1194	Bracket: Drive: Manual Feed: Ass'y (B259 series)	1
19	B039 1191	Gear - 19Z	1
20	B121 1190	Manual Feed Drive Shaft (B121 series)	1
20	B259 1190	Shaft: Manual Feed: Drive (B259 series)	1
21	B039 1183	Shaft - Paper Feed (B121 series)	1
21	B259 1183	Shaft: Paper Feed: Drive: Ass'y (B259 series)	1
22	B121 1188	Bushing	1
23	B039 1178	Bracket - Paper Feed Clutch (B121 series)	1
23	B259 1178	Bracket: Drive: Paper: Feed: Ass'y (B259 series)	1
24	B039 1187	Gear - 30Z	1
25	B039 1186	Gear - 46Z	1
26	AX20 0225	Magnetic Clutch - 46Z (B121 series)	1
26	AX20 0296	Magnetic Clutch: 0.35N M: Z46 (B259 series)	1
27	B039 2813	Lower Bracket - Relay Sensor	1
28	B039 2812	Upper Bracket - Relay Sensor	1
29	AW02 0119	Photointerruptor - LG-248L1 (B121 series)	1

Index No.	Part No.	Description	Q'ty Per Assembly
29	GW02 0020	Photointerruptor - LG-248NL1 (B259 series)	1
30	B121 5201	Harness - Registration Sensor	1
31	B039 1193	Bushing - By-pass Feed	1
32	B039 1199	Spring - By-pass Feed	1
33	B039 1192	Gear - 57Z	1
34	B039 2830	Right Rail	1
35	B121 2607	Manual Feed Magnetic Clutch Ass'y	1
36	B039 2587	Mylar - Exit Guide Plate	1
37	B039 2834	Decal - Exit Paper Feed	1
101	0451 3006B	Tapping Screw - M3x6	
102	0802 5276	Tapping Screw With Washer - M3x6	
103	0720 0040E	Retaining Ring - M4	
104	0805 0097	Ring Separator	
105	1105 0511	Harness Clamp - LWS-0306ZC	
106	0450 3008B	Tapping Screw - M3x8	
107	1105 0487	Harness Clamp	

12.2ND PAPER FEED SECTION (B122/B123/B260/B261)



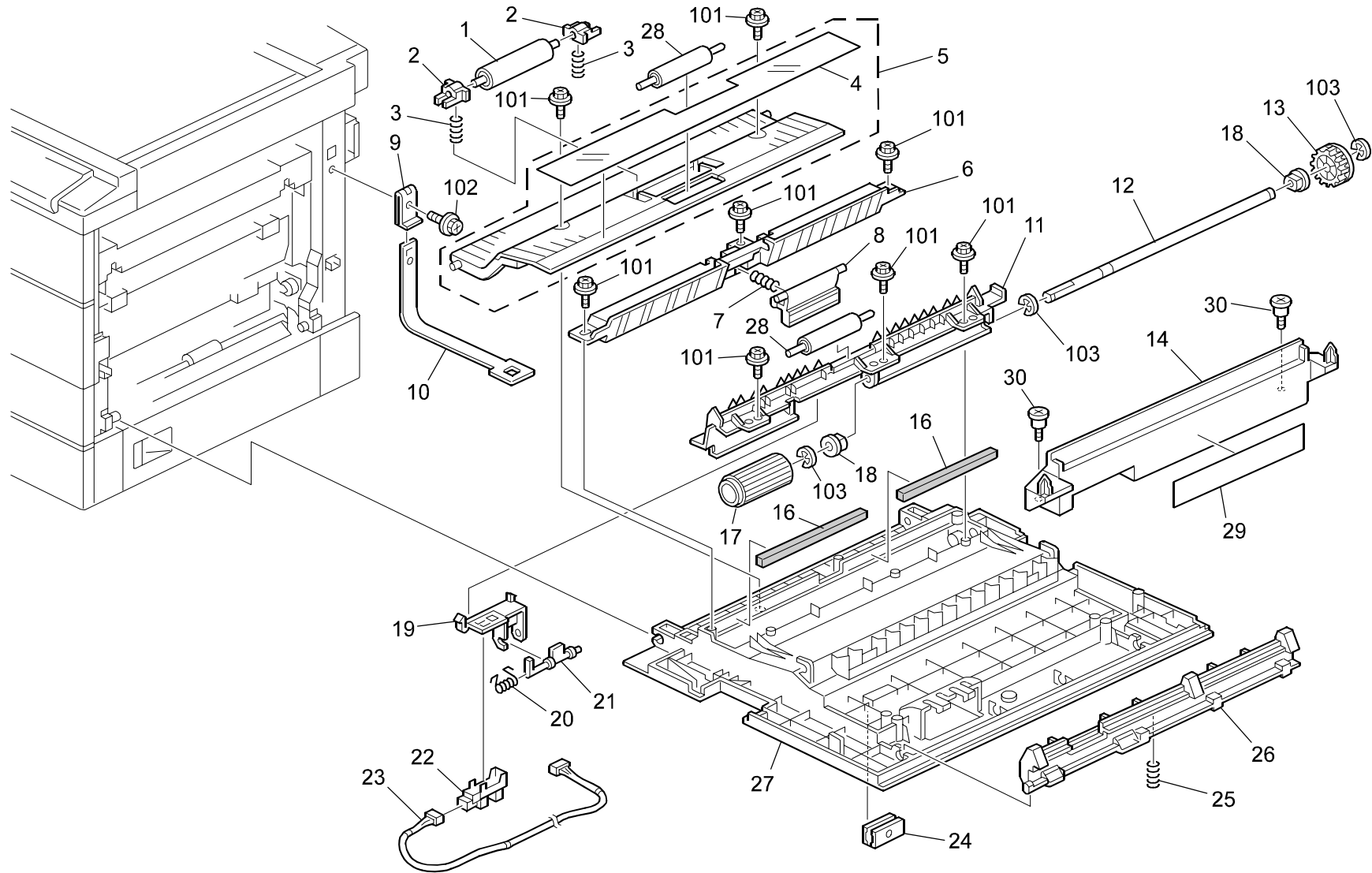
12.2ND PAPER FEED SECTION (B122/B123/B260/B261)

Rev. 11/17/2006

Index No.	Part No.	Description	Q'ty Per Assembly
1	B040 6150	Guide Plate - Upper Paper Feed	1
2	B040 6058	Stay - Paper End Sensor	1
3	B040 6066	Vertical Transport Cover	1
4	AG07 0014	Magnet Catch (B121 series)	1
4	AG07 0514	Magnet Catch: Ass'y (B259 series)	1
5	AA06 3334	Spring - Vertical Transport	2
6	AA08 0249	Bushing - Vertical Transport	2
7	B040 6069	Transport Driven Roller	1
8	B277 6067	Guide Plate: Paper Feed: Right [TSB#027]	1
9	B040 6093	Shaft - Vertical Transport Roller (B121 series)	1
9	B260 6093	Shaft: Drive: Paper Feed: Roller (B260/B261)	1
10	AA08 2101	Bushing - 6x10x6	3
11	B039 2730	Paper End Sensor	1
12	AX20 0225	Magnetic Clutch - 46Z (B121 series)	1
12	AX20 0296	Magnetic Clutch: 0.35N M: Z46 (B259 series)	1
13	B040 6091	Bracket - Vertical Transport Roller	1
14	AB01 2314	Gear - 25Z	3
15	AA06 0228	Spring - Transfer Drum Cleaning SOL	1
16	B040 6096	Tightener Bracket	1
17	AB03 0702	Timing Pulley - 30Z	1
18	AB03 0701	Gear/pulley - 24/30Z	1
19	AA04 3527	Timing Belt - 230XL	1
20	B040 6049	Bracket - Vertical Transport	1
21	A250 2779	Pin - M6	1
23	AA08 0252	Bushing - M4	1
24	B040 6074	Transport Roller Bracket	1
25	G020 5626	Push Switch	1
26	B040 6078	Bracket - Vertical Paper Sensor	1
27	AW02 0124	Paper Sensor (B121 series)	1
27	AW02 0181	Photointerruptor: Duplex (B260/B261)	1
28	B040 6071	Guide Plate - Vertical Transport	1
29	5447 2681	Snap Ring	2
30	5206 2686	Snap Ring	1
31	B040 6038	Transport Roller (B121 series)	1

Index No.	Part No.	Description	Q'ty Per Assembly
31	B260 6038	Transport Roller: Connecting: No.2: Ass'y (B260/B261)	1
101	0450 3008B	Tapping Screw - M3x8	
102	0451 3006B	Tapping Screw - M3x6	
103	1105 0511	Harness Clamp - LWS-0306ZC	
104	0720 0040E	Retaining Ring - M4	

13.VERTICAL TRANSPORT (B121/B122/B259/B260)

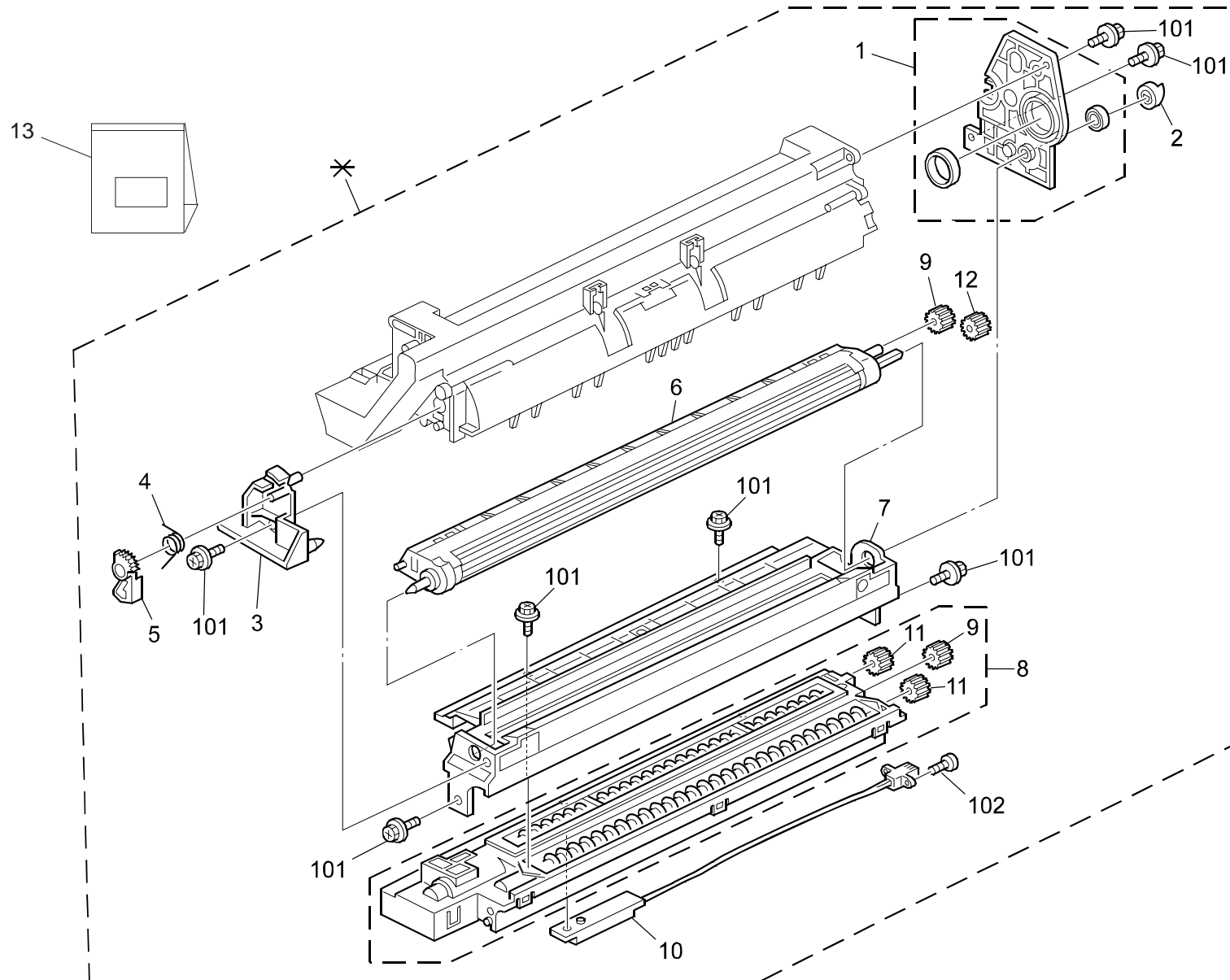


13.VERTICAL TRANSPORT (B121/B122/B259/B260)

Rev. 01/30/2006

Index No.	Part No.	Description	Q'ty Per Assembly
1	AF02 2138	Vertical Transport Roller	1
2	AA08 0268	Bushing - Vertical Transport	2
3	AA06 3399	Spring - Vertical Transport	2
4	B039 2655	Vertical Transport Guide	1
5	B039 2653	Vertical Transport Guide	1
6	B039 2592	Lower Guide Plate - By-pass Feed	1
7	AA06 3398	Spring - Friction Pad	1
8	B039 2596	Friction Pad	1
9	A232 3962	Spring Plate - Band Stopper	1
10	B039 2660	Band - Right Door	1
11	B039 2594	Upper Guide Plate - By-pass Feed	1
12	AA14 1086	Shaft - By-pass Paper Feed	1
13	AB01 2313	Gear - 25Z	1
14	B121 4470	Right Lower Exit Guide Plate	1
16	B039 2658	Sponge - By-pass Feed	2
17	AF03 1060	By-pass Feed Roller	1
18	AA08 2101	Bushing - 6x10x6	2
19	B039 2610	Bracket - Paper End Sensor	1
20	AA06 6343	Spring - Paper End Sensor	1
21	B039 2611	Feeler - Paper End Sensor	1
22	AW02 0119	Photointerruptor - LG-248L1 (B121 series)	1
22	GW02 0020	Photointerruptor - LG-248NL1 (B259 series)	1
23	B121 5259	Harness - Paper End Sensor	1
24	AG07 0014	Magnet Catch (B121 series)	1
24	AG07 0514	Magnet Catch: Ass'y (B259 series)	1
25	B039 2651	Right Door Lever	1
26	A250 1388	Spring	1
27	B039 2670	Right Door	1
28	B039 2558	Driven Roller	2
29	B039 4488	Decal - Jam Removal (B121)	1
29	B122 4488	Decal - Operation Instructions 2 (B122/B123)	1
30	B039 4480	Stepped Screw - M5	2

Index No.	Part No.	Description	Q'ty Per Assembly
101	0450 3008B	Tapping Screw - M3x8	
102	0451 3006B	Tapping Screw - M3x6	
103	0720 0040E	Retaining Ring - M4	



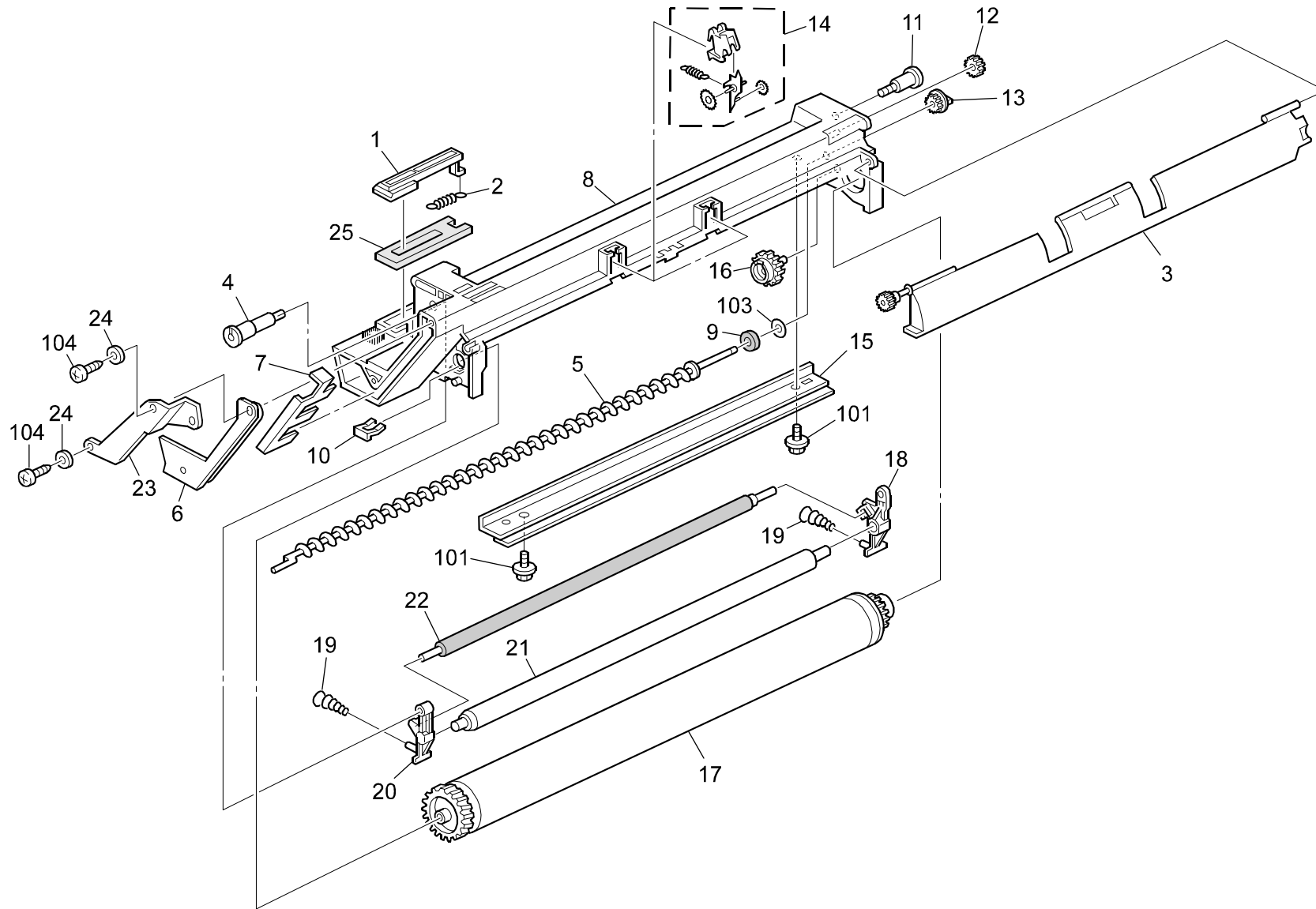
14.PCU 1

Rev.08/15/2007

Index No.	Part No.	Description	Q'ty Per Assembly
*	B121 2210	PCU Ass'y (B121 series)	1
*	B259 2200	PCU Ass'y (B259 series)	1
1	B039 2371	Rear Side Plate - Drum	1
2	A267 3440	Development Joint	1
3	B039 2361	Front Side Plate - Drum	1
4	B039 2367	Shutter Spring	1
5	B039 2362	Drum Shutter Gear	1
6	B121 3051	Development Roller Ass'y (B121 series)	1
6	B259 3051	Development Roller Ass'y (B259 series)	1
7	B039 3159	Case: Development Roller: Ass'y [TSB#025]	1
8	B039 3170	Lower Development Unit (B121 series)	1
8	B259 3170	Development Case Ass'y (B259 series)	1
9	B039 3062	Idler Gear	2
10	B259 3390	Density Sensor: B259/B260/B261: Ass'y	1
11	B039 3245	Transport Screw Gear	2
12	B039 3060	Development Roller Gear	1
13	B121 9640	Developer Type 28 Black (Asia) [TSB#030]	1
13	B121 9645	Developer Type 28 Black (NA,EU) [TSB#030]	1

Index No.	Part No.	Description	Q'ty Per Assembly
101	0360 3006B	Tapping Screw - M3x6	
102	0452 3008B	Tapping Screw - M3x8	

15.PCU 2



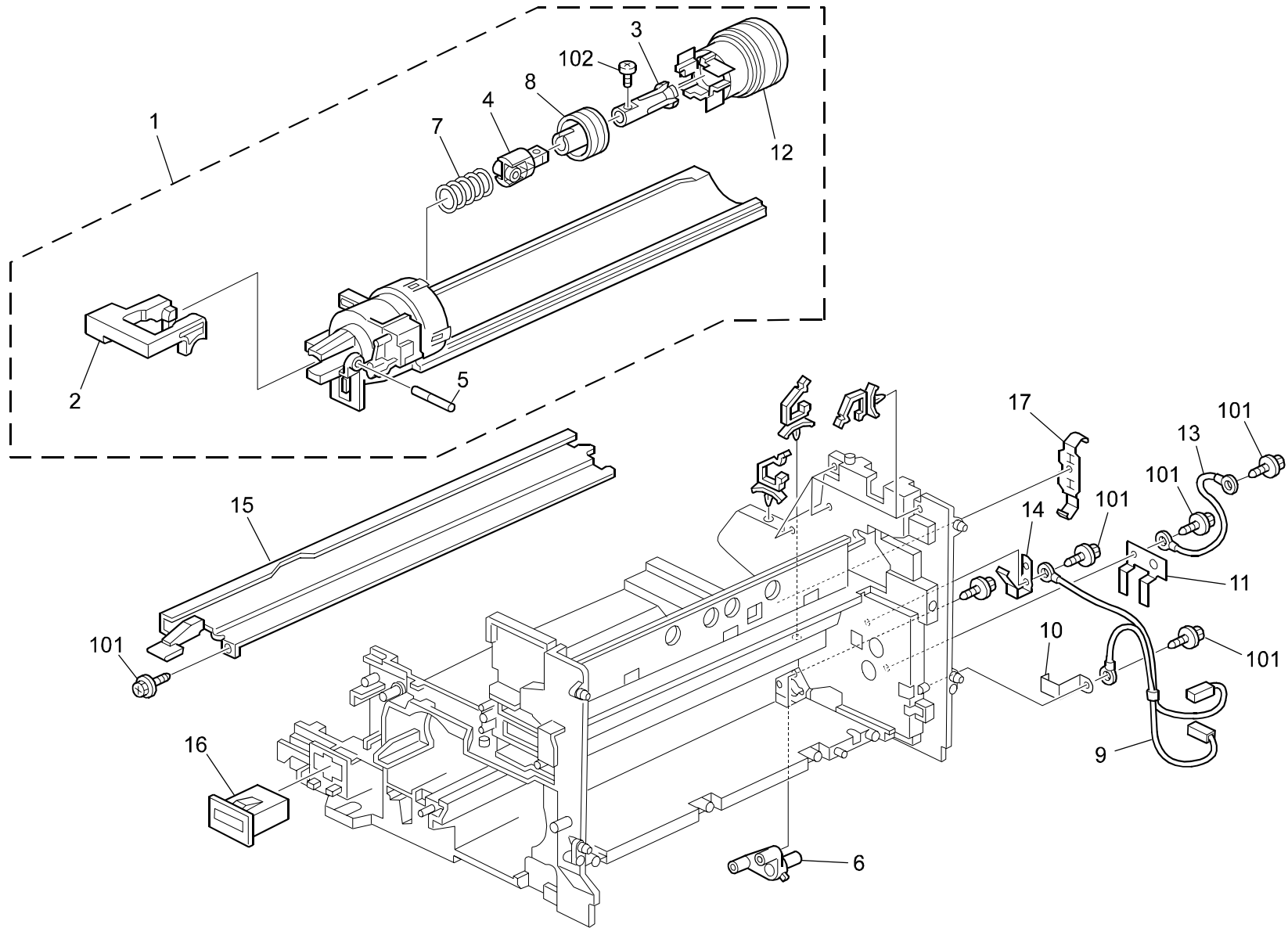
15.PCU 2

Rev. 11/07/2007

Index No.	Part No.	Description	Q'ty Per Assembly
1	B121 2311	PCU Toner Supply Shutter	1
2	B039 2312	Shutter Spring	1
3	B039 2343	Drum Shutter	1
4	B039 2293	Pin - Front Pressure Arm	1
5	B039 2272	Recycled Toner Coil	1
6	B039 2321	Front PCU Cover	1
7	B039 2274	Recycled Toner Plate	1
8	B121 2252	Frame: PCU [TSB#031]	1
9	B039 2276	Rear Bushing - Toner Coil	1
10	B039 2350	Drum Holder	1
11	AA14 3444	Stepped Screw	1
12	AB01 1403	Gear - 13Z	1
13	AB01 1402	Gear - 14Z	1
14	B039 2335	Pickoff Pawl	2
15	AD04 2059	Cleaning Blade Ass'y	1
16	B039 2288	Cam - Cleaning Blade	1
17	B039 9510	OPC Drum	1
18	B039 2295	Rear Pressure Arm - Charge Roller	1
19	B039 2287	Charge Roller Spring	2
20	B039 2292	Front Pressure Arm - Charge Roller	1
21	AD02 7018	Roller: Charge: A3	1
22	AD04 2058	Charge Cleaner Brush Roller	1
23	B039 2325	Drum Shutter Stopper (B121 series)	1
23	B259 2325	Plate: Shutter: OPC Drum: Ass'y (B259 series)	1
24	B039 2329	Spacer - M3	1
25	B121 2313	Toner Supply Seal	1

Index No.	Part No.	Description	Q'ty Per Assembly
101	0451 3006B	Tapping Screw - M3x6	
102	0452 3008B	Tapping Screw - M3x8	
103	0736 0610	Bushing - 6x10	
104	0452 3012B	Tapping Screw - M3x12	

16.TONER SUPPLY UNIT



16.TONER SUPPLY UNIT

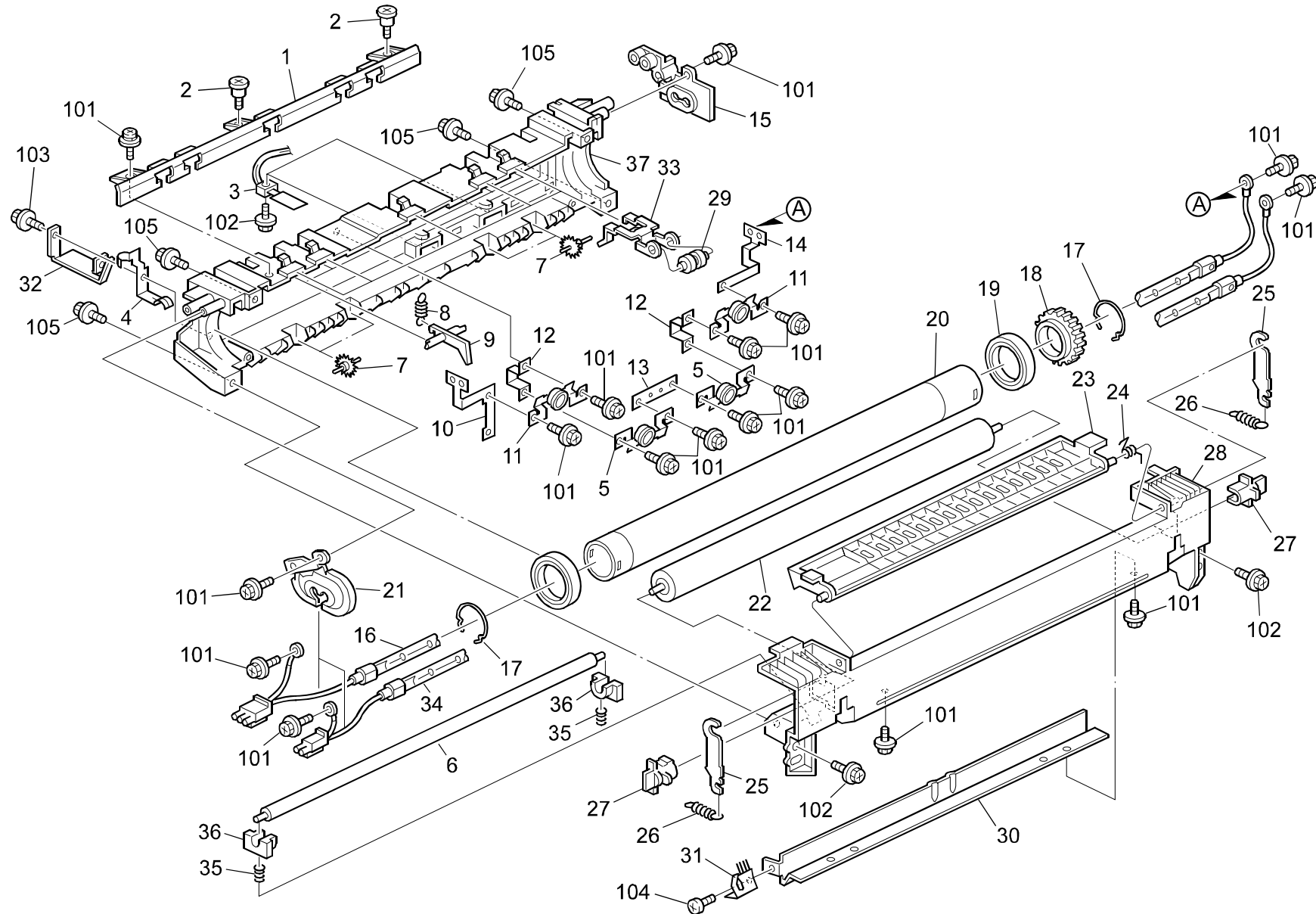
Rev. 12/6/2012

Index No.	Part No.	Description	Q'ty Per Assembly
1	B039 3032	Toner Supply Unit (B121 series)	1
1	B259 3031	Toner Supply Unit (B259 series)	1
2	B039 3360	Cam - Handle	1
3	A184 3420	Bottle Chuck	1
4	A184 3421	Chuck Shaft	1
5	A184 3422	Toner Slider	1
6	B039 1141	Shaft - Paper Feed Frame	1
7	A267 3556	Chuck Spring	1
8	G020 3334	Slider Ass'y	1
9	B121 5233	Harness - High Voltage Line C/T	1
10	B039 3870	Terminal - Transfer	1
11	B039 2578	Grounding Plate	1
12	B039 3380	Cover - Toner Supply Unit	1
13	B121 5219	Harness - Ground Wire	1
14	B039 2382	Quenching Lamp Terminal	1
15	B039 3392	Guide Plate - Toner Supply Unit	1
16	AX31 0050	Total Counter: 7Fig: 24V	1
17	B039 3395	Ground Plate - Toner Supply Unit	1

Index No.	Part No.	Description	Q'ty Per Assembly
101	0450 3008B	Tapping Screw - M3x8	
102	0452 3008B	Tapping Screw - M3x8	

17.FUSING UNIT

Rev. 01/30/2006



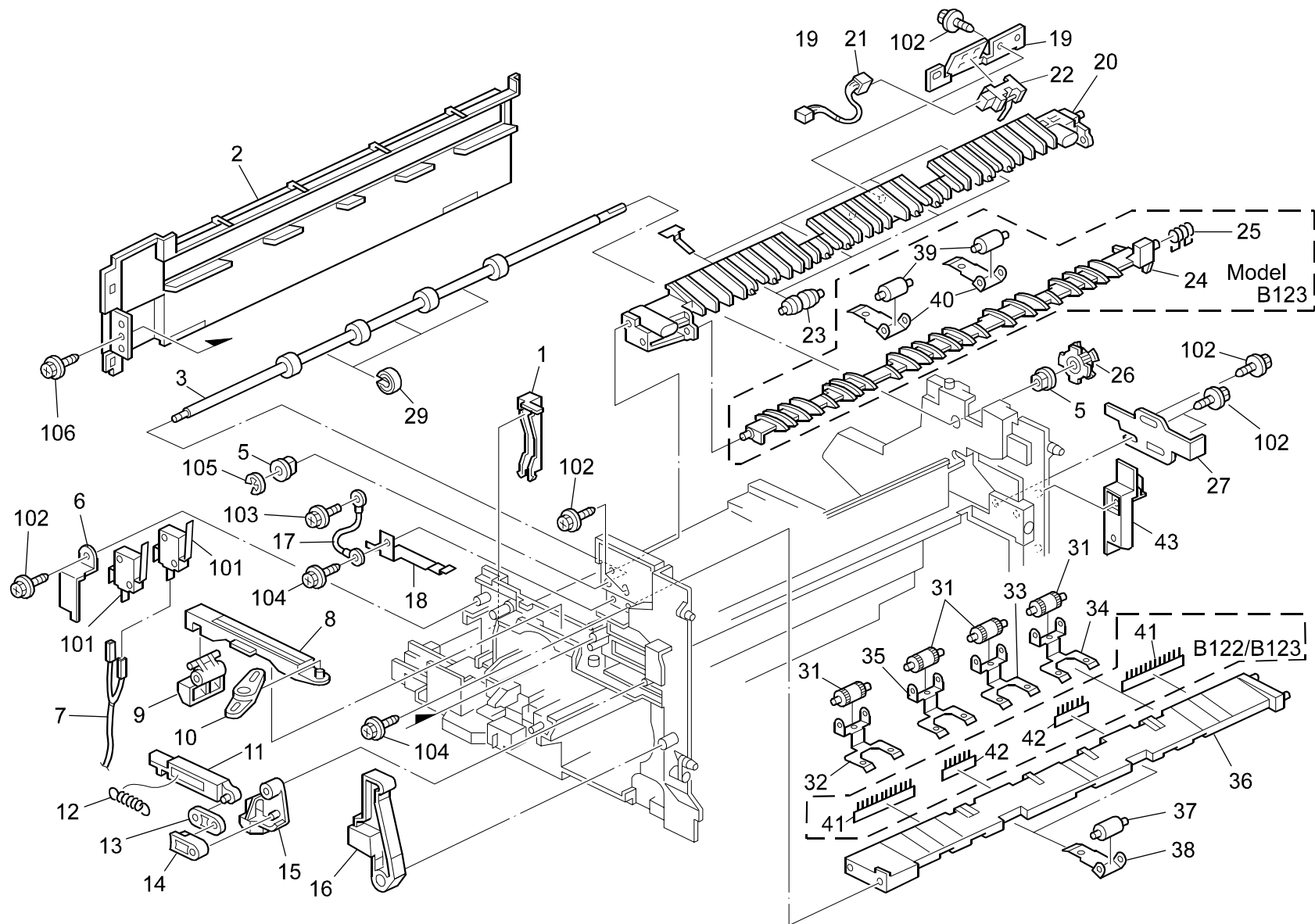
17.FUSING UNIT

Rev. 12/16/2009

Index No.	Part No.	Description	Q'ty Per Assembly
*	B259 4003	Fusing Unit NA Ass'y [TSB#023]	1
*	B259 4006	Fusing Unit EU Ass'y [TSB#023]	1
1	B039 4102	Fusing Exit Guide	1
2	AA14 3716	Stepped Screw	2
3	AW10 0073	Thermistor	2
4	B039 4118	Front Ground Plate	1
5	B039 4120	Thermostat	2
6	AE04 2063	Fusing Cleaning Roller Ass'y (B121 series)	1
6	B259 4015	Fusing Cleaning Roller: Ass'y (B259 series)	1
7	A232 2374	Spur	4
8	AA06 6637	Stripper Pawl Spring	5
9	AE04 4062	Stripper Pawl [TSB#022]	5
10	B121 4111	Front Electrode Plate	1
11	B121 4120	Thermostat Ass'y	2
12	B121 4113	Short Electrode Plate	2
13	B121 4112	Long Electrode Plate	1
14	B121 4114	Rear Electrode Plate	1
15	B121 4091	Rear Heater Holder (B121 series)	1
15	B259 4091	Holder: Heater: Rear (B259 series)	1
16	B121 4208	Heater - 230v/550w	1
16	B121 4210	Heater - 120v 550w	1
17	G029 4140	External Circle Clip	2
18	B039 4171	Gear - 41Z	1
19	G052 4618	Bearing 30x42x7	2
20	AE01 1113	Hot Roller [TSB#023]	1
21	B121 4090	Front Heater Holder	1
22	AE02 0150	Pressure Roller	1
23	B039 4107	Fusing Exit Door [TSB#005]	1
24	AA06 6635	Spring - Fusing Exit Guide	1
25	B039 4135	Pressure Roller Lever	2
26	AA06 2324	Pressure Spring	2
27	G029 4174	Pressure Roller Bushing	2
28	B245 4054	Frame: Pressure: Printing	1
29	B039 4170	Stripper Pawls Roller	5
30	B259 4115	Fusing Entrance Guide Plate	1

Index No.	Part No.	Description	Q'ty Per Assembly
31	B039 4117	Discharge Brush	1
32	B039 4114	Rear Ground Plate	1
33	B039 4168	Stripper Pawls Stopper	5
34	B121 4214	Fusing Lamp - 230v/600w [TSB#017]	1
34	B121 4215	Fusing Lamp - 120v 600w [TSB#017]	1
35	AA06 3570	Tension Spring	2
36	AA08 2073	Roller Busing	2
37	B121 4103	Fusing Frame [TSB#027]	1
101	0804 6075	Hexagonal Bolt - M3x8	
102	0954 3010B	Philips Screw - M3x10	
103	0452 3008B	Tapping Screw - M3x8	
104	0313 0060B	Philips Pan Head Screw - M3x6	
105	0954 3010B	Philips Screw - M3x10	

18.PAPER EXIT SECTION



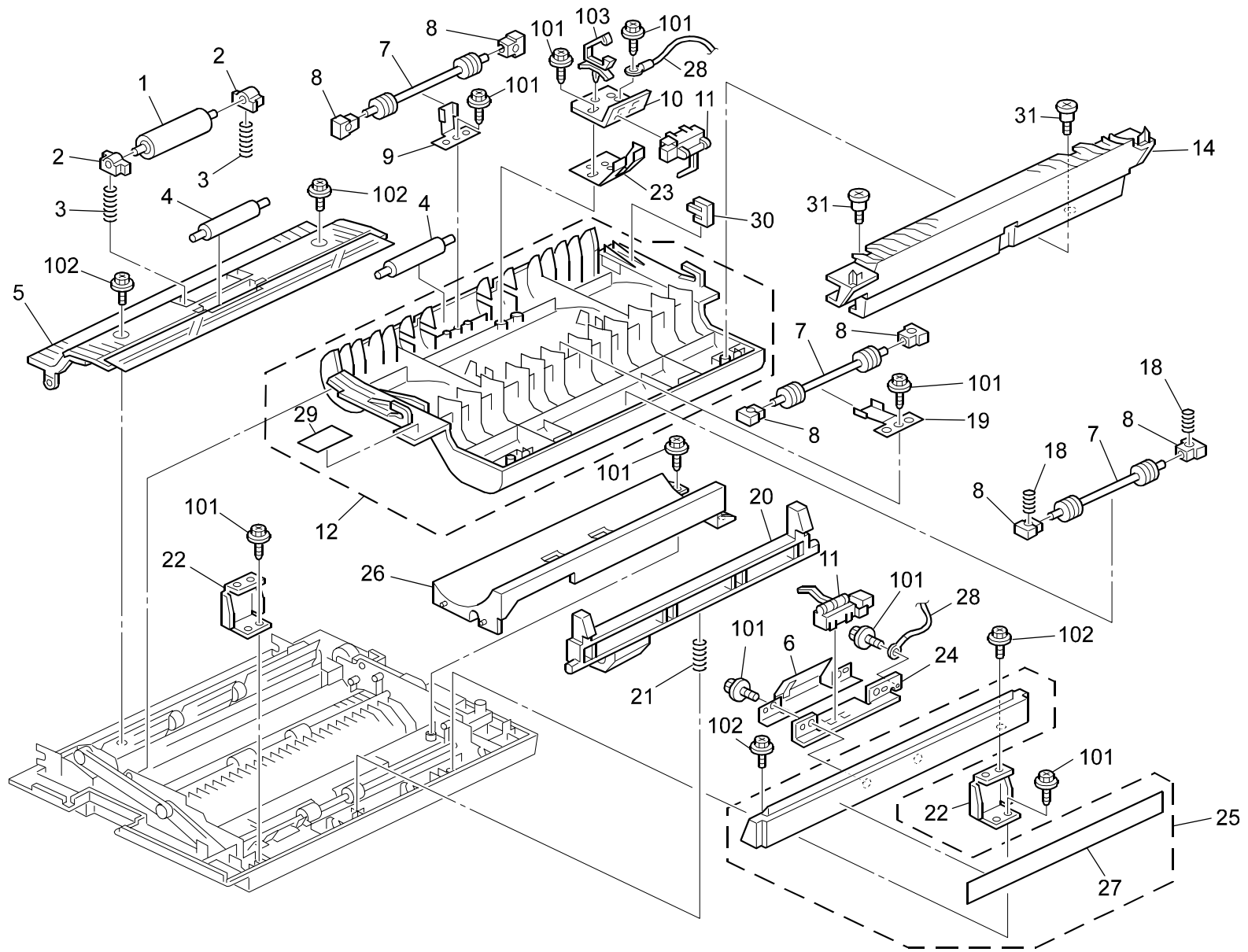
18.PAPER EXIT SECTION

Rev. 07/20/2010

Index No.	Part No.	Description	Q'ty Per Assembly
1	B121 1084	Heater Wire Cover	1
2	B039 1234	Exit Cover (B121)	1
2	B122 1301	Fusing Cover (B122)	1
2	B123 1301	Fusing Cover (B123)	1
3	B121 4471	Exit Roller 2 (B121 series)	1
3	B259 4471	Exit Roller: 2 (B259 series)	1
4	B039 4473	Exit Roller Ring	6
5	B120 2063	Bushing – 4mm	2
6	B039 1082	Door Switch Bracket	1
7	B121 5205	Harness - Front Door Switch	1
8	B039 1096	Door Switch Lever - 7	1
9	B039 1123	Door Switch Lever - 8	1
10	B039 1095	Door Switch Lever - 6	1
11	B039 1094	Door Switch Lever - 5	1
12	B039 1098	Door Switch Spring	1
13	B039 1093	Door Switch Lever - 4	1
14	B039 1092	Door Switch Lever - 3	1
15	B039 1099	Door Switch Lever - 2	1
16	B039 1090	Door Switch Lever - 1	1
17	B039 4119	Fusing Grounding Harness	1
18	B039 4116	Ground Plate - Fusing Unit	1
19	B121 4503	Exit Photointerruptor Bracket	1
20	B121 4451	Exit Middle Guide Plate	1
21	B121 5238	Harness - Paper Feed Sensor	1
22	G552 7050	Photointerruptor (B121 series)	1
22	G361 5570	Photointerruptor: Duplex (B259 series)	1
23	B043 4979	Exit Roller	4
24	B123 4983	Gate Pawl (B121 series)	1
24	B261 4983	Gate Pawl (B261)	1
25	AA06 6641	Gate Pawl Spring	1
26	B039 1163	Pulley - 23Z	1
27	B121 1132	Fusing Drive Release Bracket	1
29	B121 4473	Exit Roller Ring Mm14	2
31	G052 4873	Outer Exit Cover Roller	2
32	B121 4465	Short Front Outer Holder	1

Index No.	Part No.	Description	Q'ty Per Assembly
33	B121 4469	Long Rear Middle Holder	1
34	B121 4477	Short Rear Outer Holder	1
35	B121 4467	Long Front Middle Holder	1
36	B121 4461	Exit Lower Guide Plate	1
37	G029 4176	Turn Roller - Exit Sub-unit	2
38	B039 4459	Exit Roller Holder - Inner	2
39	G800 4854	Exit Roller	2
40	B123 4508	Middle - Reverse Holder	2
41	B122 4490	Large Exit Discharge Brush	2
42	B122 4491	Small Exit Discharge Brush	2
43	B121 1126	Harness Guide	1
101	1204 2521	Micro Switch	
102	0450 3008B	Tapping Screw - M3x8	
103	0451 3006B	Tapping Screw - M3x6	
104	0450 3012B	Tapping Screw - M3x12 [TSB#005]	
105	0720 0030E	Philips Screw - M4x8	
106	0450 4008B	Tapping Screw - 4x8	

19.DUPLEX UNIT 1 (B123/B261)

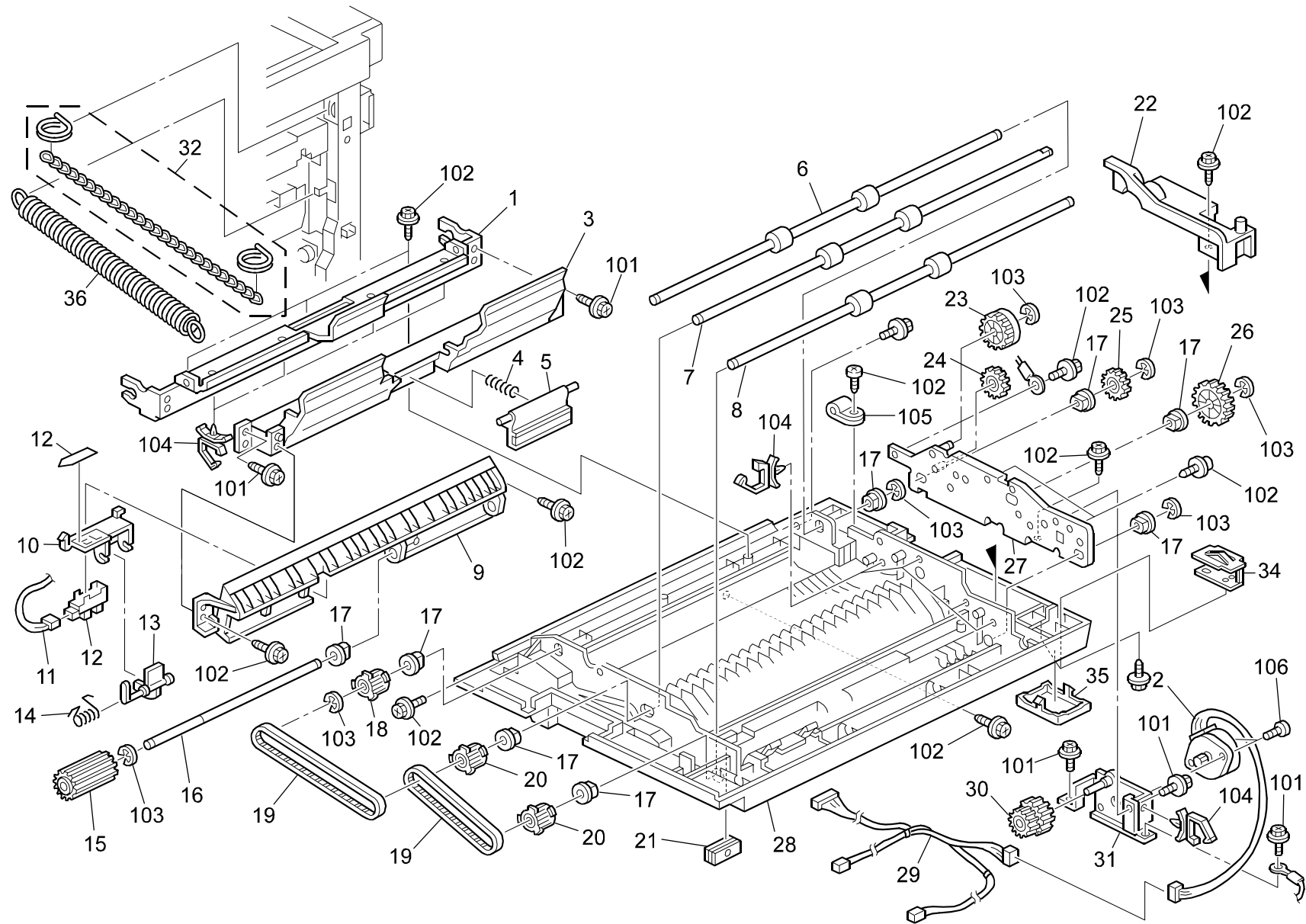


19.DUPLEX UNIT 1 (B123/B261)

Index No.	Part No.	Description	Q'ty Per Assembly
1	AF02 2138	Vertical Transport Roller	1
2	AA08 0268	Bushing - Vertical Transport	2
3	AA06 3399	Spring - Vertical Transport	2
4	B039 2558	Driven Roller	2
5	B043 4662	Guide Plate - Vertical Transport	1
6	B043 4676	Bracket - Duplex Entrance Sensor	1
7	G060 2641	Transport Driven Roller - Middle	3
8	AA08 0313	Driven Roller Bushing	6
9	B043 4647	Lower Spring Plate - Driven Roller	1
10	B123 4675	Exit Duplex Sensor Bracket	1
11	AW02 0124	Paper Sensor	2
12	B123 4640	Driven Duplex Guide Plate Ass'y	1
14	B123 4670	Right Lower Exit Guide Plate Ass'y	1
18	B043 4645	Spring - 2N	2
19	B043 4646	Upper Spring Plate - Driven Roller	1
20	B043 4651	Door Lever	1
21	A250 1388	Spring	1
22	B043 4671	Bracket - Upper Guide Plate	2
23	B123 4679	Exit Sensor Cover	1
24	B043 4674	Cover - Duplex Entrance Sensor	1
25	B123 4977	Right Upper Exit Guide Plate Ass'y	1
26	B123 4617	Entrance Duplex Guide Plate	1
27	B123 4691	Decal	1
28	B123 5245	Harness - Duplex - Ground Wire	2
29	B043 4692	Grip Decal	1
30	B043 4642	Stopper - Guide Plate	1
31	B039 4480	Stepped Screw - M5	2

Index No.	Part No.	Description	Q'ty Per Assembly
101	0450 3008B	Tapping Screw - M3x8	
102	0451 3006B	Tapping Screw - M3x6	
103	1105 0511	Harness Clamp - LWS-0306ZC	

20.DUPLEX UNIT 2 (B123/B261)



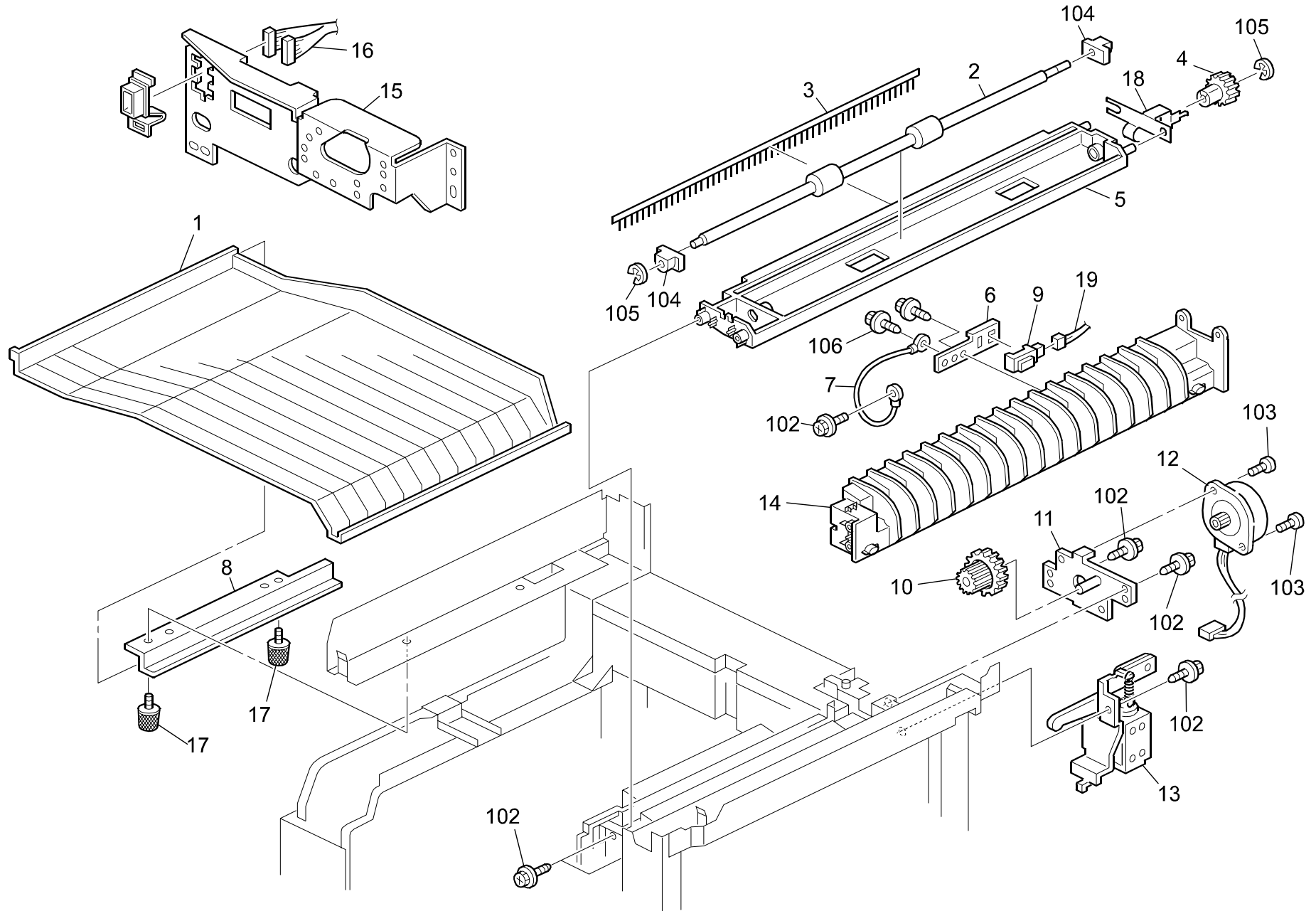
20.DUPLEX UNIT 2 (B123/B261)

Rev. 04/18/2008

Index No.	Part No.	Description	Q'ty Per Assembly
1	B043 4609	Duplex Lower Stay	1
2	B043 4710	Duplex Motor - DC 13.2W (B121 series)	1
2	B261 4710	Stepper Motor: Ass'y (B261)	1
3	B043 4667	By-pass Feed Guide - Lower	1
4	B043 4685	Spring - 2.8N	1
5	B043 4650	Separation Pad (B121 series)	1
5	B261 4650	Separation Pad: Ass'y (B261)	1
6	B261 2624	Transport Roller: Drive: Duplex: Exit	1
7	B043 4623	Middle Transport Roller (B121 series)	1
7	B261 4623	Transport Roller: Drive: Duplex: Connecting (B261)	1
8	B261 4625	Transport Roller: Drive: Duplex: Entrance	1
9	B043 4684	By-pass Feed Guide - Upper	1
10	B039 2610	Bracket - Paper End Sensor	1
11	B123 5252	Harness - Duplex Paper End Sensor	1
12	AW02 0119	Photointerruptor - LG-248I1 (B121 series)	1
12	GW02 0020	Photointerruptor: LG-248NI1 (B259 series)	1
13	B039 2611	Feeler - Paper End Sensor	1
14	AA06 6343	Spring - Paper End Sensor	1
15	AF03 1060	By-pass Feed Roller	1
16	B043 4686	By-pass Feed Shaft (B121 series)	1
16	B261 4686	Shaft: Drive: Manual Feed (B261)	1
17	AA08 2101	Bushing - 6x10x6	8
18	B043 4624	Pulley - 30Z	1
19	B123 4505	Timing Belt - 40S2M290	2
20	AB03 0569	Pulley - 30T	2
21	AG07 0014	Magnet Catch (B121 series)	1
21	AG07 0514	Magnet Catch: Ass'y (B259 series)	1
22	B123 4661	Rear Duplex Inner Cover	1
23	B043 4714	Gear - 25Z	1
24	B043 4633	Gear - 22Z	1
25	B043 4713	Gear - 25Z	1
26	B043 4631	Gear - 38Z	1
27	B123 4613	Drive Side Plate Ass'y	1
28	B123 4627	Adhesion Duplex Cover	1
29	B123 5241	Harness - Duplex Unit	1

Index No.	Part No.	Description	Q'ty Per Assembly
30	B043 4632	Coupled Gear 25/59Z	1
31	B123 4705	Stepper Motor Bracket	1
32	B123 4693	Duplex Unit Stopper Ass'y	1
34	B043 4694	Chain Bracket	1
35	B043 4698	Cap - 30x36	1
36	B123 4697	Tension Spring 27n	1
101	0451 3006B	Tapping Screw - M3x6	
102	0450 3008B	Tapping Screw - M3x8	
103	0720 0040E	Retaining Ring - M4	
104	1105 0511	Harness Clamp - LWS-0306ZC	
105	1105 0009	Nylon Clamp - 5N	
106	0433 0060B	Philips Tapping Screw - M3x6	
107	0451 3006B	Tapping Screw - M3x6	

21.DUPLEX UNIT 3 (B123/B261)



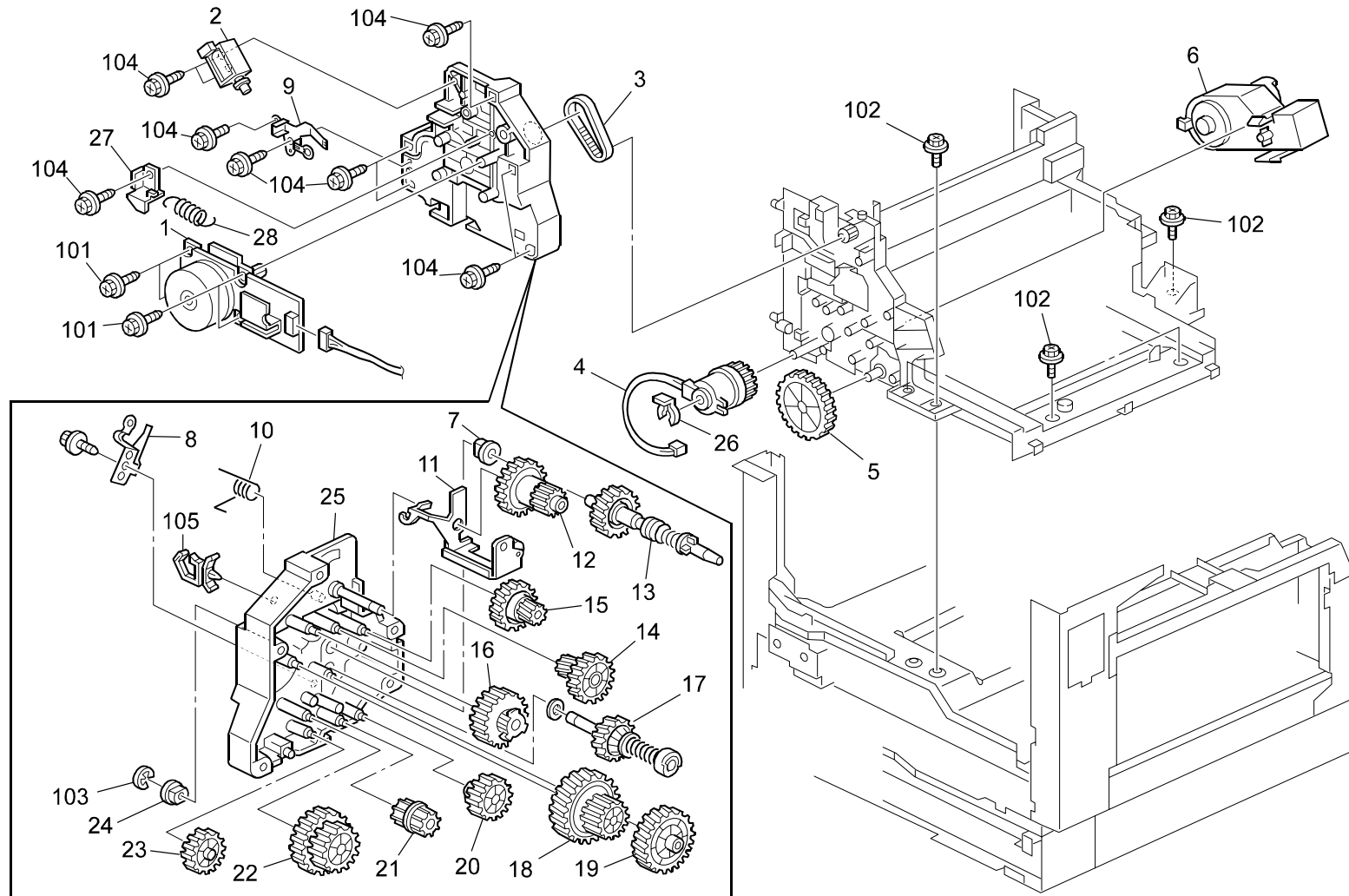
21.DUPLEX UNIT 3 (B123/B261)

Rev. 01/30/2006

Index No.	Part No.	Description	Q'ty Per Assembly
1	B043 4993	Reverse Shelf	1
2	B123 4988	Reverse Roller (B121 series)	1
2	B261 4988	Reverse Roller (B261)	1
3	AA12 0094	Antistatic Brush	1
4	B043 4975	Gear - 18Z	1
5	B123 4981	Left Upper Reverse Guide Plate	1
6	B123 4973	Reverse Paper Feed Sensor Bracket	1
7	B123 5245	Harness - Duplex - Ground Wire	1
8	B043 4998	Rail - Reverse Shelf	1
9	AW01 0100	Paper Feed Sensor	1
10	B043 4991	Coupled Gear - 15/51Z	1
11	B043 4994	Invertor Motor Bracket (B121 series)	1
11	B261 4994	Bracket: Stepper Motor: Ass'y (B261)	1
12	B043 4710	Duplex Motor - DC 13.2W (B121 series)	1
12	B261 4710	Stepper Motor: Ass'y (B261)	1
13	B043 4984	Junction Gate Solenoid (B121 series)	1
13	B261 4984	DC Solenoid: Ass'y (B261)	1
14	B123 4502	Middle Reverse Guide Plate	1
15	B122 1083	Bracket	1
16	B122 5255	Harness - 1bin Machine Or Copier	1
17	G093 6006	Knob Screw - M3 (B121 series)	2
17	G104 5141	Knob Screw: M3 (B261)	2
18	B123 4506	Reverse Roller Ground Plate	1
19	B123 5253	Harness - Duplex Sensor	1

Index No.	Part No.	Description	Q'ty Per Assembly
101	0451 3008H	Tapping Screw - M3x8	
102	0450 3008B	Tapping Screw - M3x8	
103	0313 0060B	Philips Pan Head Screw - M3x6	
104	0805 3383	Bushing - M5	
105	0720 0040E	Retaining Ring - M4	
106	0451 3006B	Tapping Screw - M3x6	

22.DRIVE SECTION



22.DRIVE SECTION

Rev. 12/3/2013

Index No.	Part No.	Description	Q'ty Per Assembly
1	AX06 0322	Brushless Motor DC 24V/20W	1
2	B121 1135	DC Solenoid Ass'y (B121 series)	1
2	B259 1135	DC Solenoid: Ass'y (B259 series)	1
3	AA04 3701	Synchronous Belt: S2M	1
4	AX20 0227	Registration Clutch (B121 series)	1
4	AX20 0297	Magnetic Clutch: 0.5N M: Z39 (B259 series)	1
5	B039 1170	Gear - 63Z	1
6	B276 3310	Toner Bottle DC Motor: Ass'y	1
7	B039 1144	Bushing - 8x16x9	1
8	B039 1135	Development Terminal	1
9	B282 1128	OPC Drum Ground Plate 2 Ass'y	1
10	B121 1161	Large Spring	1
11	B121 1157	Fusing Swivel Bracket Ass'y (B121 series)	1
11	B259 1157	Bracket: Swivel: Fusing: Ass'y (B259 series)	1
12	B039 1156	Coupled Gear - 20/49Z (12)	1
13	B039 1148	Drum Shaft (02)	1
14	AB01 0500	Gear: Slow Down: Drum: No.1	1
15	B039 1146	Coupled Gear - 32/71Z (04)	1
16	B039 1155	Gear/pulley - 61/34Z (11)	1
17	B121 1174	Development Drive Shaft (03) (B121 series)	1
17	B259 1174	Shaft: Dev: Drive: 2: Ass'y (B259 series)	1
18	B039 1154	Coupled Gear - 37/97Z (05)	1
19	B039 1173	Gear - 78Z (06)	1
20	B039 1168	Gear - 32Z (10)	1
21	B039 1167	Gear - 22Z (09)	1
22	B039 1165	Coupled Gear - 49/59/38Z (08)	1
23	B039 1166	Gear - 37Z (07)	1
24	5304 1639	Bushing - 8mm	1
25	B121 1140	Main Drive Housing	1
26	AA10 0015	Snap Ring - M6	1
27	B121 1145	Harness Hook	1
28	B121 1162	Small Spring	1

Index No.	Part No.	Description	Q'ty Per Assembly
101	0450 4010B	Tapping Screw - 4x10	
102	0802 5277	Tapping Screw	
103	0720 0060E	Retaining Ring - M6	
104	0450 3008B	Tapping Screw - M3x8	
105	1105 0488	Harness Clamp	

23.ELECTRICAL SECTION 1

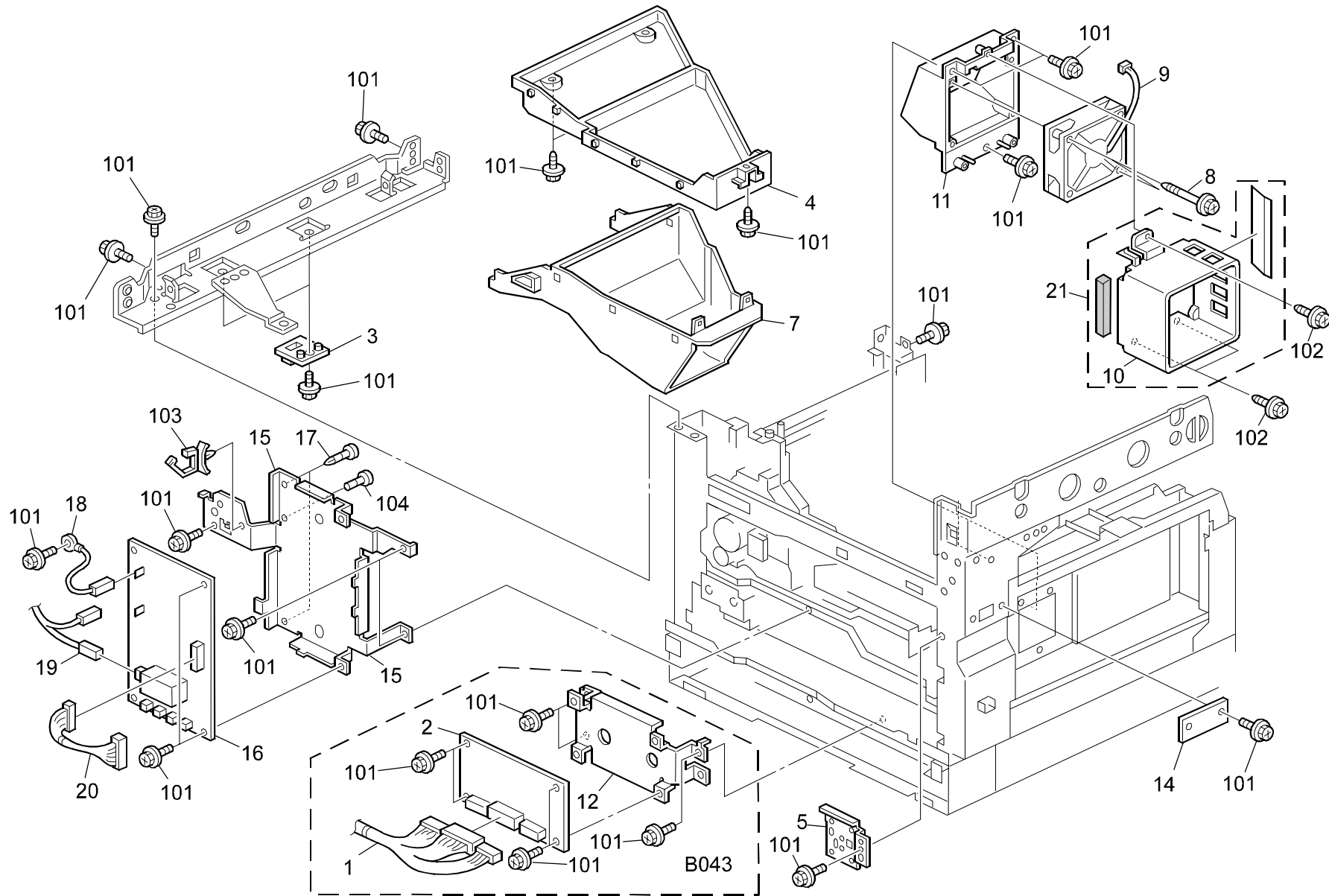
Rev. 11/03/2008

Index No.	Part No.	Description	Q'ty Per Assembly
1	B039 1373	Decal - Main Switch Cf	1
2	G027 1235	Tapping Screw - M3x33	2
3	AX64 0169	Fan DC24v/1.92w [TSB#029]	1
4	B121 5240	Harness - Document Feeder	1
5	B039 5831	ADF Plug Bracket	1
6	B123 1102	Rear Fan Bracket	1
8	B121 5215	Harness - Paper End Sensor No.1	1
9	B121 5121	PCB BICU NA (B121)	1
9	B121 5103	PCB BICU ASIA (B121/B122)	1
9	B259 5101	PCB: BICU NA (B259 series)	1
10	B121 5810	BICU Bracket	1
11	B121 5261	Key Counter Harness - RIC	1
11	B121 5262	Key Counter Harness - LAN	1
12	B121 5217	Harness - AC Fusing EU	1
12	B121 5218	Harness - AC Fusing NA	1
13	AZ23 0200	Power Supply Unit NA (RoHS)	1
13	AZ23 0123	Power Supply Unit EU/AA	1
14	B039 5888	Main Switch Bracket	1
15	B039 5228	AC Harness - Option Heater (B121)	1
15	B122 5228	AC Harness - Option Heater (B122/B123)	1
16	B121 5226	Harness - AC Switch	1
17	B121 5230	Harness - Power Supply Unit	1
18	B121 5742	Power Supply Cord Stopper NA Ass'y	1
18	B039 5743	Power Supply Cord - 230V	1
19	B121 5825	Power Supply Cord Bracket	1
20	B121 5200	Harness - Scanner Motor	1
21	B121 5203	Harness - Main Motor	1
22	B122 5211	Harness - Paper Feed No.2 (B122/B123)	1
23	B121 5212	Harness - Manual Feed	1
24	B121 5220	Harness - HPS	1
25	B122 5821	Box Holder (B122/B123)	1
26	B121 5018	Choke Coil (230V)	1
27	B122 5208	Ground Wire	1
28	B121 5822	Guide Mylar	1
29	B121 5205	Harness-Front Door Switch [TSB#034]	1

Index No.	Part No.	Description	Q'ty Per Assembly
101	0451 3008H	Tapping Screw - M3x8	
102	0451 3006B	Tapping Screw - M3x6	
103	0451 3008H	Tapping Screw - M3x8	
104	0801 0149	Philips Pan Head Screw - M4x6	
105	1105 0487	Harness Clamp	
106	1105 0511	Harness Clamp - LWS-0306ZC	
107	1107 0877	FUSE - 3.15A:250V	
107	1107 0880	FUSE - 6.3A:250V	
108	1107 0629	FUSE - 15A:125V	
112	0451 3030B	Tapping Screw - 3x30	
113	1204 2608	Rocker Switch - Sddje33900	1

24.ELECTRICAL SECTION 2

Rev. 12/02/2005



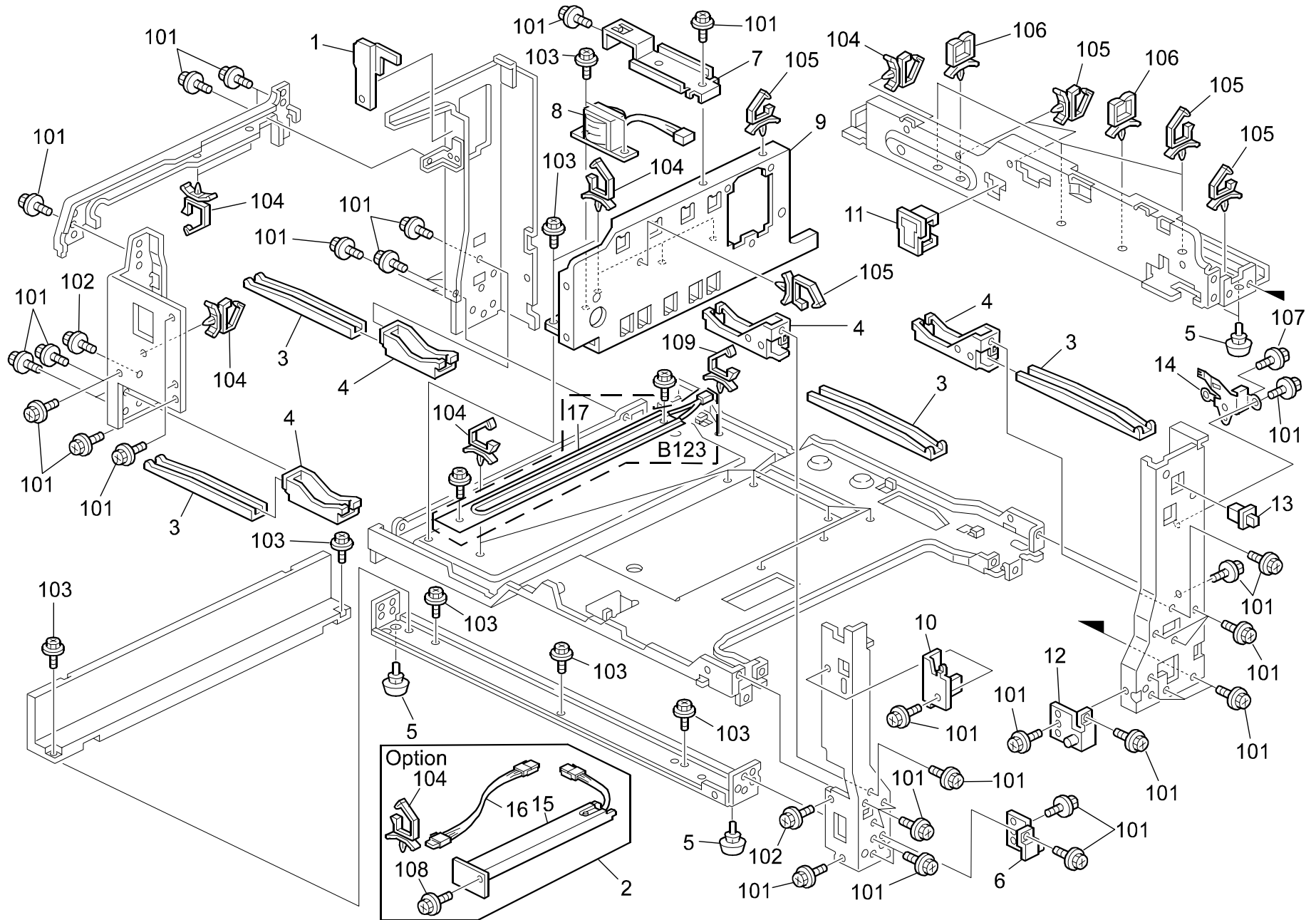
24.ELECTRICAL SECTION 2

Rev. 10/28/2009

Index No.	Part No.	Description	Q'ty Per Assembly
1	B123 5243	Harness Duplex Ass'y	1
2	B244 5155	PCB DCB	1
3	B039 1073	Right Door Stopper (B121)	2
3	B122 1080	Right Door Stopper Lever (B122/B123)	2
4	B121 1110	Upper Main Duct	1
5	B122 1075	Front Reverse Sub-unit Holder	1
6	B121 1112	Frame Duct	1
7	B121 1108	Lower Main Duct Ass'y	1
8	B259 1119	Tapping Screw - M3x33	2
9	B259 1106	Fan Mm80 Dc24v/3.6w	1
10	B121 1113	Left Sideways Exhaust Duct	1
11	B121 1109	Left Duct Ass'y	1
12	B123 5851	DCU Bracket	1
14	B039 5887	Heater Switch Cover	1
15	B121 5841	BCT Power Pack Bracket	1
16	AZ32 0131	Power Pack BCT	1
17	G020 5871	Spacer - KGLS-12RF	2
18	B121 5232	Harness - High Voltage Line B	1
19	B121 5233	Harness - High Voltage Line C/T	1
20	B121 5231	Harness - High Voltage	1
21	B121 1107	Exhaust Duct	1

Index No.	Part No.	Description	Q'ty Per Assembly
101	0451 3006B	Tapping Screw - M3x6	
102	0450 3008B	Tapping Screw - M3x8	
103	1105 0487	Harness Clamp	
104	1105 0499	Support Spacer - M3x29	

25.FRAME SECTION 1



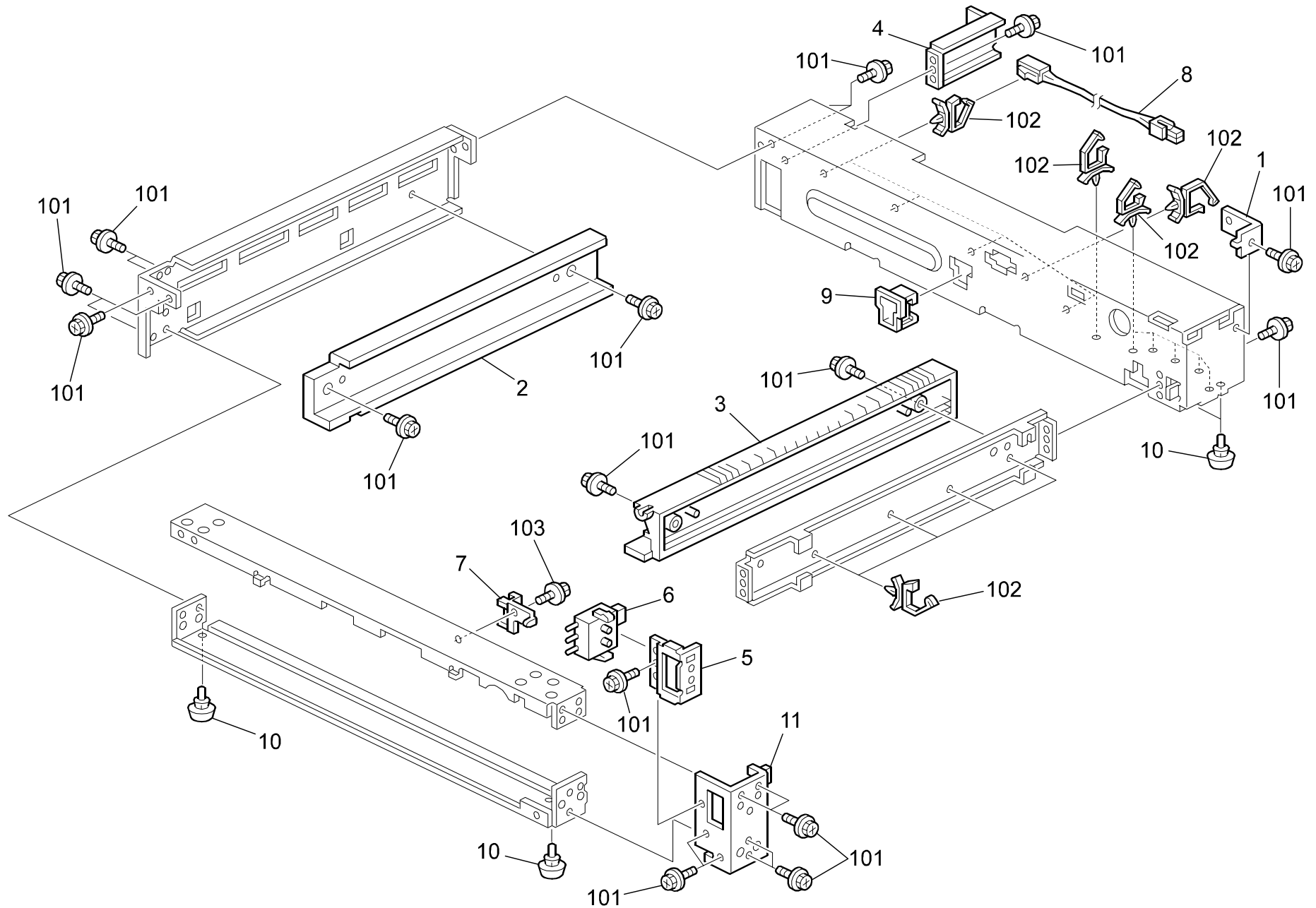
25.FRAME SECTION 1

Rev. 03/05/2013

Index No.	Part No.	Description	Q'ty Per Assembly
1	B121 1368	Rear Cover - Exit NA (B121)	1
1	B121 1367	Rear Exit Cover B EU (B121)	1
1	B122 1370	Rear Exit Cover NA (B122/B123)	1
1	B122 1369	Rear Exit Cover EU (B122/B123)	1
2	B039 6058	Heater - 9W (230V Option)	1
3	B039 1072	Grip	4
4	B121 1070	Grip Bracket 2	4
5	AH01 0009	Rubber Foot - GF (B039)	4
6	B259 1053	Door Shaft - Right Front	1
7	B121 5802	Guide Plate Bracket	1
8	N607 4525	Coil - RITL-9704 (230V)	1
9	B121 5801	Power Supply Unit Bracket	1
10	B121 4201	Front Heater Bracket	1
11	G060 2801	Holder - Paper Tray (B121 series)	1
11	B180 2801	Holder: Paper Tray (B259 series)	1
12	B259 1058	Door Shaft - Right Rear	1
13	G020 5626	Push Switch	1
14	B121 1128	OPC Drum Ground Plate 2 Ass'y	1
15	B039 2782	Tray Heater (120V)	1
15	B039 2783	Tray Heater (230V)	1
16	B039 5260	AC Harness - Dehumidifier	1
17	AX40 0095	Anti - Condensation Heater - 230V 9W	1

Index No.	Part No.	Description	Q'ty Per Assembly
101	0451 3006B	Tapping Screw - M3x6	
102	0451 3008H	Tapping Screw - M3x8	
103	0802 5276	Tapping Screw With Washer - M3x6	
104	1105 0511	Harness Clamp - LWS-0306ZC	
105	1105 0487	Harness Clamp	
106	1105 0197	Wire Saddle	
107	0450 3008B	Tapping Screw - M3x8	
108	0950 3006B	Screw - M3x6	
109	1105 0488	Harness Clamp	

26.FRAME SECTION 2 (B122/B123/B260/B261)



26.FRAME SECTION 2 (B122/B123/B260/B261)

Rev. 01/30/2006

Index No.	Part No.	Description	Q'ty Per Assembly
1	B040 6143	Right Bracket - Rear Lower Cover	1
2	B040 6054	Left Rail	1
3	B040 6052	Right Rail	1
4	B040 6144	Left Bracket - Rear Lower Cover	1
5	B039 2754	Bracket - Paper Size Sensor	1
6	G800 3035	Push SW - Paper Size	1
7	B040 6149	Bracket - Heater - NO.2	1
8	B040 5229	AC Harness - 2nd Tray Heater	1
9	G060 2801	Holder - Paper Tray (B121 series)	1
9	B180 2801	Holder: Paper Tray (B259 series)	1
10	AH01 0009	Rubber Pad - H5	4
11	B040 6046	Support Bracket - Paper Switch	1

Index No.	Part No.	Description	Q'ty Per Assembly
101	0451 3006B	Tapping Screw - M3x6	
102	1105 0511	Harness Clamp - LWS-0306ZC	
103	0950 3006B	Screw - M3 X 6	

27.BICU BOARD

CAPACITOR

SYMBOL NO.	INDEX NO.	SYMBOL NO.	INDEX NO.	SYMBOL NO.	INDEX NO.	SYMBOL NO.	INDEX NO.	SYMBOL NO.	INDEX NO.	SYMBOL NO.	INDEX NO.		
C1	157	C11	160	C21	159	C31	160	----	---	C51	158	C61	160
C2	160	C12	157	C22	154	C32	158	----	---	C52	158	C62	160
C3	158	C13	160	C23	155	C33	137	C43	160	C53	160	C63	157
C4	158	C14	158	C24	155	C34	158	C44	160	C54	155	C64	158
C5	160	C15	136	----	---	C35	160	C45	160	C55	159	C65	155
----	---	C16	160	C26	158	----	---	C46	160	C56	159	C74	157
----	---	C17	160	C27	156	C37	158	C47	159	C57	160	C75	157
C8	157	C18	136	C28	156	C38	160	C48	158	C58	158	C76	157
C9	158	C19	160	C29	154	C39	157	C49	160	C59	157	C77	159
----	---	C20	160	C30	160	C40	157	----	---	C60	157	C78	160

CAPACITOR

SYMBOL NO.	INDEX NO.	SYMBOL NO.	INDEX NO.	SYMBOL NO.	INDEX NO.	SYMBOL NO.	INDEX NO.	SYMBOL NO.	INDEX NO.	SYMBOL NO.	INDEX NO.	SYMBOL NO.	INDEX NO.
C79	160	C93	158	C106	157	C121	160	C133	158	C145	160	CA1	138
C80	158	C94	157	C107	160	C122	160	C134	158	C146	160	CA2	138
C81	160	C95	160	C108	157	C123	159	C135	160	C147	160	CA3	138
C82	160	C96	155	C109	155	C124	159	C136	158	C148	160	CA4	138
C86	158	C97	155	C110	158	C126	160	C137	160	C149	160	CA5	138
C87	160	C98	158	C111	157	C127	157	C139	136	C150	160	CA6	138
C88	160	C99	159	C114	157	C128	160	C140	160	C152	157	CA7	138
C89	158	C100	159	C118	160	C129	160	C142	160	----	---	----	---
C91	160	C104	157	C119	159	C131	159	C143	158	----	---	----	---
C92	158	C105	157	C120	160	C132	160	C144	160	CA10	138		

CA

CA

SYMBOL NO.	INDEX NO.
CA11	138
CA12	138
CA13	138
CA14	138
CA15	138
CA23	138
CA24	138

CONNECTOR

SYMBOL NO.	INDEX NO.
CN101	105
CN102	103
CN104	101
CN105	106
CN106	105
CN107	102
CN108	107
CN109	104
CN110	108
CN111	109

DIODE

SYMBOL NO.	INDEX NO.
D1	112

FILTER

SYMBOL NO.	INDEX NO.
FIL1	139
FIL2	139
FIL3	141
----	---
FIL5	139
FIL6	139
FIL7	139
FIL8	141
FIL9	139
----	---

SYMBOL NO.	INDEX NO.
----	---
FIL12	140
FIL13	140
FIL14	140
FIL15	140
FIL16	140
FIL17	139
FIL18	141
FIL19	140
FIL20	140

SYMBOL NO.	INDEX NO.
FIL21	140
FIL22	140
FIL23	140
FIL24	140
FIL25	140
FIL26	140
FIL27	140
FIL30	141
FIL31	139
FIL32	142

IC

SYMBOL NO.	INDEX NO.
IC1	118
----	---
----	---
----	---
IC5	1
IC6	163
(Socket)	110
IC7	163
IC8	118
IC9	118
IC10	118

IC

SYMBOL NO.	INDEX NO.
IC11	118
IC12	118
----	---
----	---
----	---
IC16	161
IC17	161
IC18	118
----	---
IC20	119

SYMBOL NO.	INDEX NO.
IC21	120
----	---
IC23	121
IC24	162
IC25	122
IC26	124

LED

SYMBOL NO.	INDEX NO.
LED1	115
LED2	116

OSC

SYMBOL NO.	INDEX NO.
OSC2	125
OSC3	126

Q

SYMBOL NO.	INDEX NO.
Q3	111
Q6	136

RESISTOR

SYMBOL NO.	INDEX NO.
R2	148
R3	148
R4	148
R8	144
R9	152
R10	144
R11	144
R12	144
R13	150
R14	149

SYMBOL NO.	INDEX NO.
R15	149
R16	146
R17	148
R18	144
R19	153
R20	147
R21	148
R22	148
R24	148
R25	148

27.BICU BOARD

RESISTOR

SYMBOL NO.	INDEX NO.	SYMBOL NO.	INDEX NO.	SYMBOL NO.	INDEX NO.	SYMBOL NO.	INDEX NO.	SYMBOL NO.	INDEX NO.	SYMBOL NO.	INDEX NO.	SYMBOL NO.	INDEX NO.
R35	152	R47	148	R61	152	R72	149	R86	144	R97	150	R107	150
R36	145	R48	148	R62	145	R73	150	R87	145	R98	148	R108	152
R37	150	R49	148	R63	148	R74	150	R88	148	R99	149	R109	152
R38	150	R50	148	R64	152	R75	145	R89	148	R100	144	R110	152
R39	145	R51	150	R65	152	R76	152	R90	145	R101	145	R111	144
R40	144	R52	144	R66	148	R78	148	R91	148	R102	144	R112	145
R42	143	R53	144	R67	148	R79	144	R92	144	R103	145	R114	148
R43	143	R58	144	R68	152	R80	148	R94	145	R104	145	R117	144
R45	148	R59	144	R69	150	R81	144	R95	152	R105	150	R120	145
R46	148	R60	151	R71	150	R85	144	R96	149	R106	145	R123	144

RESISTOR

SYMBOL NO.	INDEX NO.	SYMBOL NO.	INDEX NO.	SYMBOL NO.	INDEX NO.
R124	150	R136	145	R148	152
R125	145	R137	148	R149	145
R126	152	R138	145	R150	148
R127	150	R139	145	R151	144
R128	145	R140	145	R152	148
R129	145	R141	148	R153	148
R130	144	R142	145	R154	148
R133	144	R143	152	R155	150
R134	144	R146	148	R156	150
R135	145	R147	145	R157	145

REG

SYMBOL NO.	INDEX NO.
REG2	123

RN

SYMBOL NO.	INDEX NO.	SYMBOL NO.	INDEX NO.	SYMBOL NO.	INDEX NO.
RN1	127	RN11	132	RN39	133
RN2	133	RN16	132	RN40	128
RN3	128	RN17	127	RN41	133
RN4	133	RN22	128	RN42	128
RN5	127	RN23	132	RN44	132
RN6	128	RN25	132	RN45	133
RN7	132	RN26	132	RN48	132
RN8	133	RN34	133	RN49	132
RN9	133	RN37	133	RN50	132
RN10	132	RN38	128	RN51	132

27.BICU BOARD

RN

SYMBOL NO.	INDEX NO.
RN52	132
RN53	129
RN54	132
RN55	128
RN56	128
RN57	128
RN58	130
RN59	130
RN60	130
RN61	130

SYMBOL NO.	INDEX NO.
RN62	128
RN63	132
RN65	128
RN66	127
RN67	132
RN68	128
RN74	128
RN75	130
RN76	128
RN77	132

SYMBOL NO.	INDEX NO.
RN78	131
RN79	131
RN80	135
RN81	135
RN82	135
RN83	135
RN84	134
RN85	135
RN86	135
RN87	135

SYMBOL NO.	INDEX NO.
RN88	135
RN89	135
RN90	135
RN91	134
RN92	135
RN93	135
RN94	135
RN95	135
RN96	135
RN97	135

SYMBOL NO.	INDEX NO.
RN98	135

ZD

SYMBOL NO.	INDEX NO.
ZD1	113
ZD2	114

27.BICU BOARD

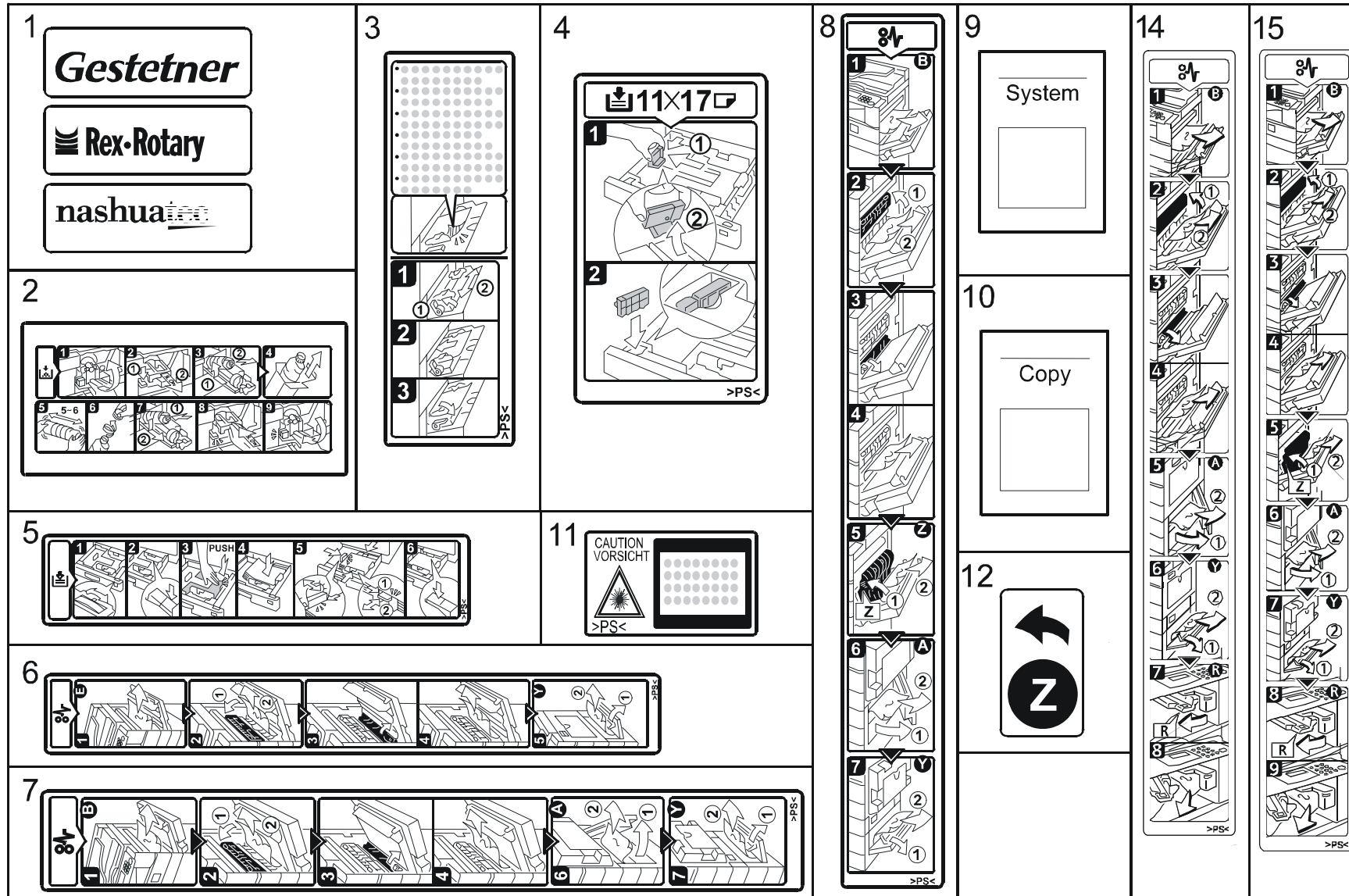
Rev. 01/30/2006

Index No.	Part No.	Description	Q'ty Per Assembly
*	B121 5101	PCB BICU EXP Ass'y	1
*	B121 5103	PCB BICU ASIA Ass'y (B121/B122)	1
		[TSB#005]	
*	B259 5101	PCB: BICU (B259 series)	1
1	B039 5501	IC - KT-ONE - KS5M9U1246CFP	1
1	B040 5506	IC - IMAC_K - RF5C789	1
2	B121 5501	IC - Scratch - KS6M2U1651CBP	1
3	B121 5502	LSI - Trio - UPD65945GD-103-LML-A	1

Index No.	Part No.	Description	Q'ty Per Assembly
101	1102 4201	Connector - 2P	
102	1102 4202	Connector - 3P	
103	1102 4203	CT Header - 4P	
104	1102 4205	CT Header - 6P	
105	1102 4207	Connector - 8P	
106	1102 5301	Connector - 2P	
107	1102 5306	Connector - 7P	
108	1102 6295	Connector - 2P	
109	1102 6297	Connector - 4P	
110	1102 6299	Connector - 6P	
111	1102 6307	Connector - 14P	
112	1102 6313	Connector - 6P	
113	1102 6396	Connector - 1P	
114	1102 6893	Connector - 30p	
115	1102 7389	Connector - FH12-50S-0.5SV	
116	1102 8655	Connector - 9P 353297-9	
117	1102 8661	Connector - FCN-564P068-G/SC-4V	
118	1102 8728	Connector - FFC/FPC SLD5R-1	
119	1102 9108	Connector - 353297-3	
120	1102 9109	Connector - 353297-4	
121	1102 9110	Connector - 353297-6	
122	1102 9111	Connector - 353297-7	
123	1102 9112	Connector - 353297-8	
124	1102 9113	Connector - 1-353297-0	
125	1102 9114	Connector - 353297-1	
126	1102 9116	Connector - 353297-5	
127	1102 9119	Connector - 2-353297-0	
128	1102 9132	Connector - 353303-7	
129	1102 9548	Connector - TX25-100P-8ST-H1	
130	1104 0588	DIP Socket - 28p	
131	1400 0443	Transistor - DTB114EK	
132	1400 0571	Transistor - 2SA1577	
133	1400 0702	Transistor - DTD143EK	
134	1400 0901	Transistor - DTC144VUA	
135	1400 0919	Transistor - DTCL43XUA	

Index No.	Part No.	Description	Q'ty Per Assembly
136	1400 0962	Transistor - 2SB1412	
137	1401 1175	Fet - HAT1043M	
138	1402 1336	Diode - 1SS355	
139	1402 1487	Diode - RB480K	
140	1402 1584	Diode - DAN217U	
141	1402 1662	Diode - PTZ6.2B	
142	1403 0996	LED - SML-310VT	
143	1407 2187	TTLIC - SN74LS07NS	
144	1407 2219	IC - TD62003AP	
145	1407 7818	RAM - FM1608B-PG(REV.AA)	
146	1407 5353	IC - SN74LV244APW	
147	1407 5364	IC - SN74AHCT244PW	
148	1407 5376	IC - SN74LV32APW	
149	Deleted	IC - SN74LV86APW	
150	1407 5469	IC - SN74LV07APW	
151	1407 5555	IC - SN74AHCT126PW	
152	1407 5886	CPU - Hd6412390f20	
153	1407 6032	IC - SN74LV161APW	
154	1408 1204	IC - TA8083P	
155	1408 1233	Regulator - LM1117MP-3.3	
156	1408 1290	Regulator - TA7805S	
157	1408 1428	Regulator - TA78M12S	
158	1408 1550	IC - LM2902PW	
159	1408 1585	IC - STK672-310	
160	1408 1779	IC - R3112Q281A	
161	1408 1818	Series Regulator - LM1117MP-1.8	
162	1408 1911	Comparator - LM2903PW	
163	1408 1929	IC - R3112Q441A	
164	1503 0993	Crystal Oscillator- 14.7456Mhz	
165	1600 1334	Resistor-220Ω±5%2W	
166	1600 1682	Resistor - 680 Ω ±5% 2W	
167	1601 5492	Resistor - 47Ω ±5% 2W	
168	1601 7751	Resistor - 4.7KΩ ±5%	
169	1601 7752	Resistor Array - 10K Ω ±5%	
170	1601 7791	Resistor Array - 1K Ω ±5%	

Index No.	Part No.	Description	Q'ty Per Assembly
171	1601 7814	Resistor - 3.3K Ω ±5%	
172	1601 7866	Resistor - 150Ω:±5%:1/16W	
173	1601 7867	Resistor - 33 Ω ±5% 1/16W	
174	1601 7871	Resistor - 68Ω ±5% 1/16W	
175	1602 7026	Capacitor - 1000pF ±20% 100V	
176	1605 0976	Capacitor - 1μF+80% -20% 10V	
177	1605 1148	Capacitor - 0.1μF+80-20% 50V	
178	1605 1160	Capacitor - 0.22uf:+80-20%:16V	
179	1605 1190	Ceramic Capacitor - 0.022μF±10% 50V	
180	1605 1287	Capacitor - 0.47μF+80-20% 25V	
181	1606 8042	Resistor Array - Ckca43ch1h470k	
182	1607 0069	Fuse - BL02RM2-R62-PB	
183	1607 1002	IC - NFM60R30T222	
184	1607 1061	Filter - BLM11P300SPB	
185	1607 1106	IC - LC0805L473M	
186	1607 1107	IC - LC0805L104M	
187	1607 1298	Filter - LCZ0805S224M7	
188	1609 0005	Resistor - 33 Ω:±5%:1/16W	
189	1609 0006	Resistor - 10k Ω:±5%:1/16W	
190	1609 0007	Resistor - 68Ω ±5% 1/16W	
191	1609 0027	Resistor - 100KΩ±5% 1/16W	
192	1634 0000	Resistor - 0 Ω 1/16W	
193	1640 0101	Capacitor - 100μF10V	
194	1640 5101	Capacitor - 100μF±20% 50V	
195	1640 5470	Capacitor - 47μF±20% 50V	
196	1642 0470	Capacitor - 47μF±20% 10V	
197	1642 5100	Capacitor - 10μF±20% 50V	
198	1650 2620	Resistor - 62Ω ±5% 1/4W	
199	1650 4102	Resistor - 1KΩ ±5% 1/10W	
200	1650 4103	Resistor - 10KΩ ±5% 1/10W	
201	1650 4104	Resistor - 100KΩ±5%1/10W	
202	1650 4105	Resistor - 1MΩ ±5% 1/10W	
203	1650 4201	Resistor - 200Ω±5%1/10W	
204	1650 4203	Resistor - 20KΩ ±5% 1/10W	
205	1650 4222	Resistor - 2.2KΩ±5%1/10W	

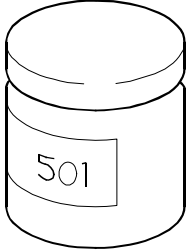
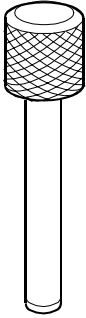
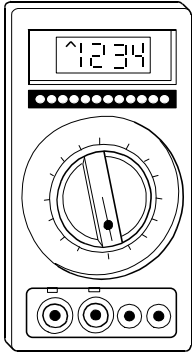
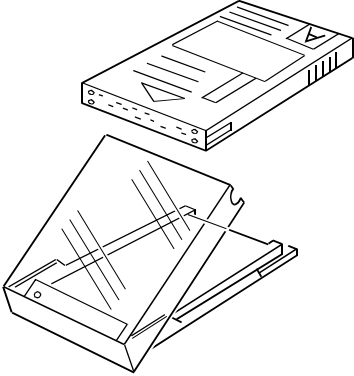
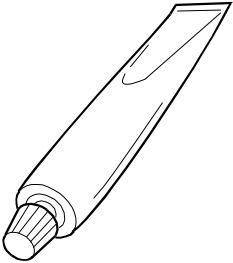

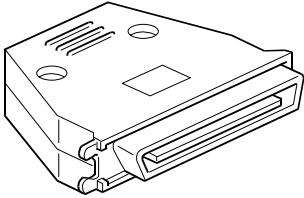
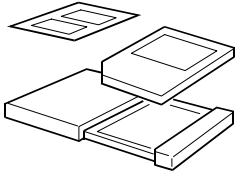
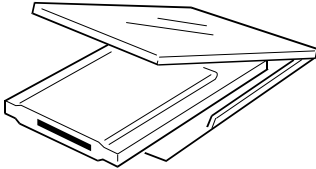
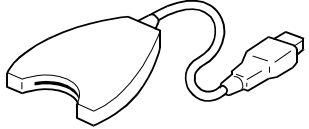


28.DECAL AND DOCUMENT

Index No.	Part No.	Description	Q'ty Per Assembly
1	A153 6409	Decal - Keypop Cover (GES)	1
2	B039 1365	Sheet - Operation Instructions	1
3	B039 2633	Decal - By-pass Feed	1
4	B039 2720	Decal - Cassette Operation DLT	1
5	B039 2721	Decal - Cassette Operation	1
6	B039 4488	Jam Removal Decal (B039/B121/B259)	1
7	B040 4488	Jam Removal Decal (B040)	1
8	B043 4691	Jam Removal Decal (B043)	1
9	B121 6507	Operating Instructions - System NA	1
9	B121 6500	Operating Instructions - System	1
10	B121 6607	Operating Instructions - Copy NA	1
10	B121 6630	Operating Instructions - Copy LAN	1
11	G029 1982	Decal - LD	1
14	B122 4488	Decal - Operation Instructions 2 (B122/B260)	1
15	B123 4691	Decal (B123/B261)	

Index No.	Part No.	Description	Q'ty Per Assembly

29.SPECIAL TOOLS

<p>1</p> 	<p>2</p> 	<p>3</p> 	<p>4</p> 	<p>5</p> 
<p>6</p> 	<p>7</p> 	<p>8</p> 	<p>9</p> 	<p>10</p> 

29.SPECIAL TOOLS

Rev. 3/4/2014

Index No.	Part No.	Description	Q'ty Per Assembly
1	5203 9502	Grease 501	1
2	A006 9104	Adjusting Scanner Pin (4pcs/set)	1
3	VSSM 9000	Digital Multimeter - Fluke187	1
4	N803 6701	Flash Memory Card - 4mb	1
5	A257 9300	Grease - Barrierta S552R	1
6	A292 9500	Test Chart - S5S (10 Pcs/set)	1
7	Deleted	Loopback Connector - Parallel	1
8	B645 5010	SD-Card - Ass'y	1
9	B645 6705	SD-Card: Adapter: BN-SDAG2: Ass'y	1
10	B645 6800	SD-Card - USB: Writer: BN-SDCE2	1

Index No.	Part No.	Description	Q'ty Per Assembly

B121/B122/B123/B259/B260/B261
PARTS INDEX

This section instructs you as to the numbers and names of parts on this machine.

PM Parts Index

Rev. 01/09/2006

Section Name	Part No.	Description in Service Manual	Description in Parts Catalog	Q'ty Per Assembly	Page and Index No.
PAPER CASSETTE 1ST PAPER FEED SECTION	B039 2740	Paper Feed Roller	Paper Feed Roller	2	25- 11
	B039 2711	Friction Pad	Friction Pad	1	25- 18
	B039 3820	Transfer Roller	Transfer Roller	1	27- 25
TONER SUPPLY	B039 2335	Separation Pawl	Pickoff Pawl	1	37- 14
	AD04 2059	Cleaning Blade	Cleaning Blade	1	37- 15
	B039 9510	Drum	OPC Drum	1	37- 17
	AD02 7014	Charge Roller	Charge Roller	1	37- 21
	AD04 2058	Cleaning Brush	Charge Roller Cleaner	1	37- 22
PAPER EXIT SECTION	AE04 2063	Cleaning Roller	Fusing Cleaning Roller Ass'y	1	41- 6
	AE04 4040	Hot Roller Stripper Pawls	Stripper Pawl	5	41- 9
	AE01 1105	Hot Roller	Hot Roller	1	41- 20
	AE02 0150	Pressure Roller	Pressure Roller	1	41- 22
	G029 4174	Pressure Roller Bushing	Pressure Roller Bushing	2	41- 27

Parts Index

Part No.	Description	Page and Index No.
B121 1069	Support Bracket	15 - 17
B121 1070	Grip Bracket 2	57 - 4
B121 1084	Heater Wire Cover	43 - 1
B121 1107	Exhaust Duct	55 - 21
B121 1108	Lower Main Duct Ass'y	55 - 7
B121 1109	Left Duct Ass'y	55 - 11
B121 1110	Upper Main Duct	55 - 4
B121 1112	Frame Duct	55 - 6
B121 1113	Left Sideways Exhaust Duct	55 - 10
B121 1126	Harness Guide	43 - 43
B121 1128	OPC Drum Ground Plate 2 Ass'y	57 - 14
B121 1128	OPC Drum Ground Plate 2 Ass'y	51 - 9
B121 1132	Fusing Drive Release Bracket	43 - 27
B121 1135	DC Solenoid Ass'y	51 - 2
B121 1140	Main Drive Housing	51 - 25
B121 1145	Harness Hook	51 - 27
B121 1157	Fusing Swivel Bracket Ass'y	51 - 11
B121 1161	Large Spring	51 - 10
B121 1162	Small Spring	51 - 28
B121 1174	Development Drive Shaft (03)	51 - 17
B121 1188	Bushing	29 - 22
B121 1190	Manual Feed Drive Shaft	29 - 20
B121 1313	IC Card Cap	11 - 7
B121 1314	Application Cap	9 - 5
B121 1314	Application Cap	11 - 5
B121 1315	Left Cover EU	11 - 1
B121 1315	Left Cover EU	9 - 1
B121 1316	Left Cover NA	9 - 1
B121 1316	Left Cove NA	11 - 2
B121 1322	Left Upper Cover B	9 - 21
B121 1336	Rear Cover B EU (B121)	9 - 6
B121 1337	Rear Cover NA (B121)	9 - 6
B121 1348	Paper Bank Cap	9 - 8
B121 1353	Exit Cover EU	11 - 3
B121 1353	Exit Cover EU	9 - 3

Part No.	Description	Page and Index No.
B121 1354	Exit Cover NA	9 - 3
B121 1354	Exit Cover NA	11 - 3
B121 1367	Rear Exit Cover B EU	9 - 22
B121 1367	Rear Exit Cover B EU (B121)	57 - 1
B121 1368	Rear Cover: Exit NA	9 - 22
B121 1368	Rear Cover: Exit NA (B121)	57 - 1
B121 1421	Operation Sub-unit NA Ass'y (B121/B122)	13 - 4
B121 1422	Operation Sub-unit EU Ass'y (B121/B122)	13 - 4
B121 1423	Operation Sub-unit Asia Ass'y (B121/B122)	13 - 4
B121 1456	Keytop - Initial	13 - 11
B121 1459	Keytop - Cursor	13 - 14
B121 1461	Printer Keytop Cover	13 - 1
B121 1464	Sheet - Operation Panel(NA/Asia)	13 - 16
B121 1465	Sheet - Power Source-NA	13 - 17
B121 1472	Sheet-operation Panel(EU/C/K/T)	13 - 16
B121 1473	Sheet-power Source-EU	13 - 17
B121 1475	Keytop - 10key	13 - 10
B121 1478	Keytop - Function Connecting	13 - 15
B121 1487	PCB	13 - 19
B121 1664	Bracket - Timing Belt	19 - 14
B121 1667	Lens Stay Bracket	19 - 6
B121 1680	Gear - 53Z/60Z	19 - 18
B121 1696	Timing Belt L147	19 - 8
B121 1751	No.1 Carriage Ass'y	17 - 12
B121 1757	Xenon Lamp Mm8 26000/70	17 - 10
B121 1762	No.1 Mirror	17 - 15
B121 1766	No.1 Mirror Clamp	17 - 14
B121 1768	No.2 Carriage Sub-ass'y	17 - 5
B121 1782	Flexible Board Guide	17 - 4
B121 1804	SBU Harness	15 - 13
B121 1808	Inner Cover	15 - 8
B121 1812	Lens Holder Ass'y	15 - 9
B121 1876	Imaging Unit Ass'y	21 - *
B121 1915	Laser Diode Unit Ass'y	21 - 15
B121 2200	PCU Ass'y	35 - *

Part No.	Description	Page and Index No.
B121 2311	PCU Toner Supply Shutter	37 - 1
B121 2313	Toner Supply Seal	37 - 25
B121 2607	Manual Feed Magnetic Clutch Ass'y	29 - 35
B121 2617	Magnet Catch - By-Pass Feed	23 - 13
B121 3051	Development Roller Ass'y	35 - 6
B121 3310	Toner Bottle DC Motor	51 - 6
B121 3390	Toner Density Sensor	35 - 10
B121 3804	Transfer Unit	27 - 9
B121 3860	Harness Cover	27 - 34
B121 4002	Fusing Unit NA Ass'y	41 - *
B121 4004	Fusing Unit EU Ass'y	41 - *
B121 4081	Pressure Frame	41 - 28
B121 4090	Front Heater Holder	41 - 21
B121 4091	Rear Heater Holder	41 - 15
B121 4111	Front Electrode Plate	41 - 10
B121 4112	Long Electrode Plate	41 - 13
B121 4113	Short Electrode Plate	41 - 12
B121 4114	Rear Electrode Plate	41 - 14
B121 4120	Thermostat Ass'y	41 - 11
B121 4201	Front Heater Bracket	57 - 10
B121 4208	Heater - 230v/550w	41 - 16
B121 4209	Heater - 230v/600w	41 - 34
B121 4210	Heater - 120v 550w	41 - 16
B121 4211	Heater - 120v 600w	41 - 34
B121 4451	Exit Middle Guide Plate	43 - 20
B121 4461	Exit Lower Guide Plate	43 - 36
B121 4465	Short Front Outer Holder	43 - 32
B121 4467	Long Front Middle Holder	43 - 35
B121 4469	Long Rear Middle Holder	43 - 33
B121 4470	Right Lower Exit Guide Plate	33 - 14
B121 4471	Exit Roller 2	43 - 3
B121 4473	Exit Roller Ring Mm14	43 - 29
B121 4477	Short Rear Outer Holder	43 - 34
B121 4503	Exit Photointerruptor Bracket	43 - 19
B121 5018	Choke Coil (230V)	53 - 26

Part No.	Description	Page and Index No.
B121 5101	PCB BICU EXP Ass'y	53 - 9
B121 5101	PCB BICU EXP Ass'y	63 - *
B121 5103	PCB BICU ASIA Ass'y (B121/B122)	53 - 9
B121 5103	PCB BICU ASIA Ass'y (B121/B122)	63 - *
B121 5200	Harness - Scanner Motor	53 - 20
B121 5201	Harness - Registration Sensor	29 - 30
B121 5202	Harness - Registration Sensor	27 - 14
B121 5203	Harness - Main Motor	53 - 21
B121 5204	Harness - Discharge Lamp	21 - 4
B121 5205	Harness - Front Door Switch	43 - 7
B121 5206	Harness - Density Sensor	27 - 29
B121 5212	Harness - Manual Feed	53 - 23
B121 5215	Harness - Paper End Sensor No.1	29 - 5
B121 5215	Harness - Paper End Sensor No.1	53 - 8
B121 5217	Harness - AC Fusing EU	53 - 12
B121 5218	Harness - AC Fusing NA	53 - 12
B121 5219	Harness - Ground Wire	39 - 13
B121 5220	Harness - HPS	53 - 24
B121 5222	Harness - Scanner	19 - 2
B121 5223	Harness - Scanner Stabilizer	17 - 17
B121 5226	Harness - AC Switch	53 - 16
B121 5230	Harness - Power Supply Unit	53 - 17
B121 5231	Harness - High Voltage	55 - 20
B121 5232	Harness - High Voltage Line B	55 - 18
B121 5233	Harness - High Voltage Line C/T	39 - 9
B121 5233	Harness - High Voltage Line C/T	55 - 19
B121 5238	Harness - Paper Feed Sensor	43 - 21
B121 5240	Harness - Document Feeder	53 - 4
B121 5248	Harness - Development Sensor	27 - 21
B121 5250	Harness - LDD	21 - 14
B121 5259	Harness - Paper End Sensor	33 - 23
B121 5261	Key Counter Harness - RIC	53 - 11
B121 5262	Key Counter Harness - LAN	53 - 11
B121 5439	Harness - Polygon Mirror Motor	21 - 13
B121 5501	IC:Scratch:KS6M2U1651CBP	63 - 2

Part No.	Description	Page and Index No.
B121 5502	LSI:Trio:UPD65945GD-103-LML-A	63 - 3
B121 5742	Power Supply Cord Stopper NA Ass'y	53 - 18
B121 5801	Power Supply Unit Bracket	57 - 9
B121 5802	Guide Plate Bracket	57 - 7
B121 5810	BICU Bracket	53 - 10
B121 5822	Guide Mylar	53 - 28
B121 5825	Power Supply Cord Bracket	53 - 19
B121 5841	BCT Power Pack Bracket	55 - 15
B121 6500	Operating Instructions - System	67 - 11
B121 6507	Operating Instructions - System	67 - 11
B121 6607	Operating Instructions - Copy	67 - 12
B121 6630	Operating Instructions - Copy	67 - 13
B121 6660	Operating Instructions - Copy	67 - 12
B121 6690	Operating Instructions - Copy	67 - 12
B121 7410	Model Name Plate - B121 - GES NA	9 - 16
B121 7420	Model Name Plate - B121 - GES	9 - 16
B121 7421	Model Name Plate - B121 - NSA	9 - 16
B121 7422	Model Name Plate - B121 - REX	9 - 16
B121 7424	Model Name Plate - B121 - LAN	9 - 16
B121 7426	Model Name Plate - B121 - INF	9 - 16
B121 7427	Model Name Plate - B121 - RIC	9 - 16
B122 1075	Front Reverse Sub-Unit Holder	55 - 5
B122 1080	Right Door Stopper Lever (B122/B123)	55 - 3
B122 1083	Bracket	49 - 15
B122 1301	Fusing Cover (B122)	43 - 2
B122 1309	Right Upper Front Cover EU	11 - 11
B122 1310	Right Upper Front Cover NA	11 - 11
B122 1323	Left Upper Cover	11 - 25
B122 1338	Rear Cover EU	11 - 6
B122 1339	Rear Cover NA	11 - 6
B122 1346	Right Rear Cover EU	11 - 10
B122 1347	Right Rear Cover NA	11 - 10
B122 1349	Paper Bank Cap	11 - 8
B122 1369	Rear Exit Cover EU (B122/B123)	57 - 1
B122 1369	Rear Exit Cover EU	11 - 26

Part No.	Description	Page and Index No.
B122 1370	Rear Exit Cover NA	11 - 26
B122 1370	Rear Exit Cover NA (B122/B123)	57 - 1
B122 1371	Sorter Cap EU	11 - 27
B122 1372	Sorter Cover NA	11 - 27
B122 1380	Right Upper Cover EU (B122)	11 - 29
B122 1381	Right Upper Cover NA (B122)	11 - 29
B122 4488	Decal - Operation Instructions 2	67 - 7
B122 4488	Decal - Operation Instructions 2 (B122/B123)	33 - 29
B122 4490	Large Exit Discharge Brush	43 - 41
B122 4491	Small Exit Discharge Brush	43 - 42
B122 5208	Ground Wire	53 - 27
B122 5211	Harness - Paper Feed No.2 (B122/B123)	53 - 22
B122 5228	AC Harness - Option Heater (B122/B123)	53 - 15
B122 5255	Harness - 1bin Machine Or Copier	49 - 16
B122 5821	Box Holder (B122/B123)	53 - 25
B122 7410	Model Name Plate - B122 - GES NA	11 - 16
B122 7420	Model Name Plate - B122 - GES	11 - 16
B122 7421	Model Name Plate - B122 - NSA	11 - 16
B122 7422	Model Name Plate - B122 - REX	11 - 16
B122 7424	Model Name Plate - B122 - LAN	11 - 16
B122 7426	Model Name Plate - B122 - INF	11 - 16
B122 7427	Model Name Plate (B122 RIC)	11 - 16
B123 1102	Rear Fan Bracket	53 - 6
B123 1301	Fusing Cover (B123)	43 - 2
B123 1411	Operation Sub-unit NA Ass'y (B123)	13 - 4
B123 1412	Operation Sub-unit EU Ass'y (B123)	13 - 4
B123 1464	Sheet - Operation Panel-Duplex-NA	13 - 16
B123 1472	Sheet - Operation Panel-Duplex-EU	13 - 16
B123 4502	Middle Reverse Guide Plate	49 - 14
B123 4505	Timing Belt - 40S2M290	47 - 19
B123 4506	Reverse Roller Ground Plate	49 - 18
B123 4508	Middle - Reverse Holder	43 - 40
B123 4613	Drive Side Plate Ass'y	47 - 27
B123 4617	Entrance Duplex Guide Plate	45 - 26
B123 4627	Adhesion Duplex Cover	47 - 28

Part No.	Description	Page and Index No.
B123 4640	Driven Duplex Guide Plate Ass'y	45 - 12
B123 4661	Rear Duplex Inner Cover	47 - 22
B123 4670	Right Lower Exit Guide Plate Ass'y	45 - 14
B123 4675	Exit Duplex Sensor Bracket	45 - 10
B123 4679	Exit Sensor Cover	45 - 23
B123 4691	Decal	67 - 8
B123 4691	Decal	45 - 27
B123 4693	Duplex Unit Stopper Ass'y	47 - 32
B123 4697	Tension Spring 27n	47 - 36
B123 4705	Stepper Motor Bracket	47 - 31
B123 4973	Reverse Paper Feed Sensor Bracket	49 - 6
B123 4977	Right Upper Exit Guide Plate Ass'y	45 - 25
B123 4981	Left Upper Reverse Guide Plate	49 - 5
B123 4983	Gate Pawl	43 - 24
B123 4988	Reverse Roller	49 - 2
B123 5155	PCB DCB	55 - 2
B123 5241	Harness - Duplex Unit	47 - 29
B123 5243	Harness - Duplex Ass'y	55 - 1
B123 5245	Harness - Duplex:Ground Wire	49 - 7
B123 5245	Harness - Duplex:Ground Wire	45 - 28
B123 5252	Harness - Duplex Paper End Sensor	47 - 11
B123 5253	Harness - Duplex Sensor	49 - 19
B123 5851	DCU Bracket	55 - 12
B123 7424	Model Name Plate - B123 - LAN	11 - 16
B123 7426	Model Name Plate - B123 - INF	11 - 16
B123 7427	Model Name Plate - B123 - RIC	11 - 16

Part No.	Description	Page and Index No.
A006 9104	Adjusting Scanner Pin (4pcs/set)	69 - 2
A153 6409	Decal - Keytop Cover (GES)	13 - 22
A184 3420	Bottle Chuck	39 - 3
A184 3421	Chuck Shaft	39 - 4
A184 3422	Toner Slider	39 - 5
A193 1759	Stepped Screw	15 - 1
A193 1793	Scanner Home Sensor Stopper	15 - 5
A232 2374	Spur	41 - 7
A232 3962	Spring Plate - Band Stopper	33 - 9
A250 1388	Spring	33 - 26
A250 1388	Spring	45 - 21
A250 1761	Original Sensor - H=2-66	19 - 1
A250 1821	Heater - 9W (Option)(NA)	15 - 7
A250 1822	Heater - 9W (Option)(EU)	15 - 7
A250 2779	Pin - M6	31 - 21
A250 2808	Stopper Base	25 - 21
A257 9300	Grease - Barrierta S552R	69 - 5
A267 2869	Gear - 16Z	25 - 12
A267 3440	Development Joint	35 - 2
A267 3556	Chuck Spring	39 - 7
A292 9500	Test Chart - S5S (10 Pcs/set)	69 - 6
B039 1053	Right Door Shaft - Front	57 - 6
B039 1058	Right Door Shaft - Rear	57 - 12
B039 1068	ADF Bracket	15 - 18
B039 1072	Grip	57 - 3
B039 1073	Right Door Stopper (B121)	55 - 3
B039 1082	Door Switch Bracket	43 - 6
B039 1088	Sheet - Duct	21 - 5
B039 1090	Door Switch Lever - 1	43 - 16
B039 1092	Door Switch Lever - 3	43 - 14
B039 1093	Door Switch Lever - 4	43 - 13
B039 1094	Door Switch Lever - 5	43 - 11
B039 1095	Door Switch Lever - 6	43 - 10
B039 1096	Door Switch Lever - 7	43 - 8
B039 1098	Door Switch Spring	43 - 12

Part No.	Description	Page and Index No.
B039 1099	Door Switch Lever - 2	43 - 15
B039 1123	Door Switch Lever - 8	43 - 9
B039 1130	Development Sensor Bracket	27 - 20
B039 1135	Development Terminal	51 - 8
B039 1141	Shaft - Paper Feed Frame	39 - 6
B039 1142	Housing - Paper Feed	29 - 8
B039 1144	Bushing - 8x16x9	51 - 7
B039 1145	Coupled Gear - 34/63Z (01)	51 - 14
B039 1146	Coupled Gear - 32/71Z (04)	51 - 15
B039 1148	Drum Shaft (02)	51 - 13
B039 1154	Coupled Gear - 37/97Z (05)	51 - 18
B039 1155	Gear/pulley - 61/34Z (11)	51 - 16
B039 1156	Coupled Gear - 20/49Z (12)	51 - 12
B039 1162	Timing Belt - 226XL	51 - 3
B039 1163	Pulley - 23Z	43 - 26
B039 1165	Coupled Gear - 49/59/38Z (08)	51 - 22
B039 1166	Gear - 37Z (07)	51 - 23
B039 1167	Gear - 22Z (09)	51 - 21
B039 1168	Gear - 32Z (10)	51 - 20
B039 1170	Gear - 63Z	51 - 5
B039 1173	Gear - 78Z (06)	51 - 19
B039 1178	Bracket - Paper Feed Clutch	29 - 23
B039 1183	Shaft - Paper Feed	29 - 21
B039 1186	Gear - 46Z	29 - 25
B039 1187	Gear - 30Z	29 - 24
B039 1191	Gear - 19Z	29 - 19
B039 1192	Gear - 57Z	29 - 33
B039 1193	Bushing - By-pass Feed	29 - 31
B039 1194	Bracket - By-pass Feed	29 - 18
B039 1199	Spring - By-pass Feed	29 - 32
B039 1234	Exit Cover (B121)	43 - 2
B039 1251	Shield Glass Cover	21 - 1
B039 1253	Front Door (EU)	9 - 15
B039 1254	Front Door (RIC NA)	9 - 15
B039 1254	Front Door	11 - 15

Part No.	Description	Page and Index No.
B039 1302	Left Scanner Cover (EU)	9 - 2
B039 1303	Rear Scanner Cover (EU)	9 - 4
B039 1304	Right Scanner Cover (EU)	9 - 9
B039 1304	Right Scanner Cover (EU)	11 - 9
B039 1308	Front Door EU (RIC)	9 - 15
B039 1309	Front Right Upper Cover (EU)	9 - 11
B039 1317	Rear Cover (B121 EU)	9 - 10
B039 1332	Left Scanner Cover (NA)	9 - 2
B039 1333	Rear Scanner Cover	11 - 4
B039 1333	Rear Scanner Cover (NA)	9 - 4
B039 1335	Right Scanner Cover (NA)	11 - 9
B039 1335	Right Scanner Cover (NA)	9 - 9
B039 1339	Cover - Front Right Upper (NA)	9 - 11
B039 1347	Right Rear Cover (B121 NA)	9 - 10
B039 1350	Front Cover (EU)	9 - 12
B039 1350	Front Cover (EU)	11 - 12
B039 1351	Front Cover (NA)	9 - 12
B039 1351	Front Cover (NA)	11 - 12
B039 1361	Magnet Catch	11 - 14
B039 1361	Magnet Catch	9 - 14
B039 1362	Main Switch Cover	9 - 24
B039 1362	Main Switch Cover	11 - 30
B039 1364	Rivet - M7	9 - 20
B039 1364	Rivet - M7	11 - 23
B039 1365	Sheet - Operation Instructions	9 - 18
B039 1365	Sheet - Operation Instructions	11 - 18
B039 1366	Cover Magnet	9 - 13
B039 1366	Cover Magnet	11 - 13
B039 1367	Rivet - M6	11 - 24
B039 1367	Rivet - M6	9 - 19
B039 1373	Decal - Main Switch CF	67 - 10
B039 1373	Decal - Main Switch CF	53 - 1
B039 1425	Left Case - Operation Panel	13 - 6
B039 1452	Lower Cover - Operation Panel	13 - 5
B039 1453	Keytop - Start	13 - 8

Part No.	Description	Page and Index No.
B039 1454	Keytop - Clear	13 - 9
B039 1457	Keytop - Clear Modes	13 - 12
B039 1458	Keytop - Power Source	13 - 13
B039 1462	Right LCD Cover	13 - 3
B039 1463	Application Cover	13 - 2
B039 1469	Ground Plate	13 - 20
B039 1499	Pan Head Tapping Screw - M3X8	13 - 21
B039 1658	Rear Scale Bracket	15 - 16
B039 1662	Front Scanner Frame	19 - 19
B039 1663	Rear Scanner Frame	19 - 20
B039 1666	Bracket - Operation Panel	15 - 12
B039 1668	Bracket - Stabilizer Harness	19 - 13
B039 1670	Scanner Drive Motor - DC3.6V 2.88W	19 - 15
B039 1683	Tension Spring - Stepper Motor	19 - 17
B039 1691	Shaft - Scanner Drive	19 - 11
B039 1692	Pulley - 37Z	19 - 12
B039 1694	Pulley - 37/41Z	19 - 10
B039 1695	Flange - Pulley	19 - 9
B039 1697	Timing Belt - 1058.25XL	19 - 7
B039 1701	Bracket - Idler	19 - 4
B039 1702	Shaft - Pulley	19 - 16
B039 1703	Pulley - 37Z	19 - 3
B039 1704	Spring - Timing Pulley	19 - 5
B039 1710	Left Scanner Bracket	15 - 3
B039 1712	Right Scanner Bracket	15 - 14
B039 1758	Timing Belt Holder - Front	17 - 11
B039 1759	Timing Belt Holder - Rear	17 - 13
B039 1763	Lamp Stabilizer	17 - 16
B039 1776	Front Pulley Bracket	17 - 9
B039 1778	Rear Pulley Bracket	17 - 7
B039 1781	2nd Mirror Holder	17 - 2
B039 1784	Scanner Drive Belt	17 - 6
B039 1785	Scanner Drive Pulley	17 - 3
B039 1787	2nd Mirror	17 - 1
B039 1790	Tension Spring	17 - 8

Part No.	Description	Page and Index No.
B039 1905	Adjusting Plate	21 - 2
B039 1942	Cylindrical Lens Holder	21 - 10
B039 1953	2nd Mirror Holder	21 - 18
B039 1954	Holder - Sync Detector Mirror	21 - 11
B039 1961	Shield Glass	21 - 6
B039 1971	Optical Housing Cover	21 - 12
B039 1975	Rubber Supporter	21 - 20
B039 2252	Upper PCU Case	37 - 8
B039 2272	Recycled Toner Coil	37 - 5
B039 2274	Recycled Toner Plate	37 - 7
B039 2276	Rear Bushing - Toner Coil	37 - 9
B039 2287	Charge Roller Spring	37 - 19
B039 2288	Cam - Cleaning Blade	37 - 16
B039 2292	Front Pressure Arm - Charge Roller	37 - 20
B039 2293	Pin - Front Pressure Arm	37 - 4
B039 2295	Rear Pressure Arm - Charge Roller	37 - 18
B039 2312	Shutter Spring	37 - 2
B039 2321	Front PCU Cover	37 - 6
B039 2325	Drum Shutter Stopper	37 - 23
B039 2329	Spacer - M3	37 - 24
B039 2335	Pickoff Pawl	37 - 14
B039 2343	Drum Shutter	37 - 3
B039 2350	Drum Holder	37 - 10
B039 2361	Front Side Plate - Drum	35 - 3
B039 2362	Drum Shutter Gear	35 - 5
B039 2367	Shutter Spring	35 - 4
B039 2371	Rear Side Plate - Drum	35 - 1
B039 2380	Quenching Lamp	21 - 3
B039 2382	Quenching Lamp Terminal	39 - 14
B039 2558	Driven Roller	29 - 11
B039 2558	Driven Roller	33 - 28
B039 2558	Driven Roller	27 - 17
B039 2558	Driven Roller	45 - 4
B039 2560	Registration Cleaning Mylar	27 - 15
B039 2567	Guide - Right Registration Roller	27 - 12

Part No.	Description	Page and Index No.
B039 2570	Registration Feeler	27 - 11
B039 2572	Guide - Left Registration Roller	27 - 16
B039 2575	Bracket - Registration Roller	27 - 1
B039 2576	Transport Roller	29 - 16
B039 2578	Grounding Plate	39 - 11
B039 2583	Vertical Transport Feeler	29 - 17
B039 2585	Exit Guide Plate	29 - 7
B039 2587	Mylar - Exit Guide Plate	29 - 36
B039 2592	Lower Guide Plate - By-pass Feed	33 - 6
B039 2594	Upper Guide Plate - By-pass Feed	33 - 11
B039 2596	Friction Pad	33 - 8
B039 2601	Manual Feed Table Ass'y	23 - *
B039 2610	Bracket - Paper End Sensor	47 - 10
B039 2610	Bracket - Paper End Sensor	33 - 19
B039 2611	Feeler - Paper End Sensor	47 - 13
B039 2611	Feeler - Paper End Sensor	33 - 21
B039 2619	By-pass Feed Table	23 - 14
B039 2620	Paper Guide - Extension	23 - 11
B039 2621	Paper Guide	23 - 12
B039 2628	Bottom Plate Pad	23 - 2
B039 2629	Stay - Tray Bottom Plate	23 - 10
B039 2630	Tray Bottom Plate	23 - 4
B039 2631	Front Side Fence	23 - 1
B039 2632	Rear Side Fence	23 - 3
B039 2633	Decal - By-pass Feed	23 - 17
B039 2633	Decal - By-pass Feed	67 - 3
B039 2637	Rack - Front Side Fence	23 - 6
B039 2638	Rack - Rear Side Fence	23 - 5
B039 2642	Pin - Link	23 - 19
B039 2643	Link - By-pass Feed Table	23 - 16
B039 2645	Rotary Switch	23 - 9
B039 2651	Right Door Lever	33 - 25
B039 2653	Vertical Transport Guide	33 - 5
B039 2655	Vertical Transport Guide	33 - 4
B039 2658	Sponge - By-pass Feed	33 - 16

Part No.	Description	Page and Index No.
B039 2660	Band - Right Door	33 - 10
B039 2670	Right Door	33 - 27
B039 2700	Paper Tray	25 - 26
B039 2701	Tray Bottom Plate	25 - 3
B039 2704	Front Stopper Lever	25 - 2
B039 2707	Spring Plate - Side Fence	25 - 4
B039 2711	Friction Pad	25 - 18
B039 2712	Ground Plate - Tray Bottom Plate	25 - 7
B039 2713	Spring - Friction Pad	25 - 19
B039 2719	Spring - Tray Bottom Plate	25 - 13
B039 2720	Decal - Cassette Operation DLT	67 - 4
B039 2720	Decal - Cassette Operation DLT	25 - 24
B039 2721	Decal - Cassette Operation	67 - 5
B039 2721	Decal - Cassette Operation	25 - 25
B039 2724	Paper Size Detector - A4	25 - 20
B039 2727	Bushing - 8x12x10	25 - 16
B039 2730	Paper End Sensor	29 - 4
B039 2730	Paper End Sensor	31 - 11
B039 2731	Side Fence - Rear - Ass'y	25 - 8
B039 2732	Spring - Paper Feed Roller	25 - 17
B039 2734	Side Fence - Front - Ass'y	25 - 5
B039 2736	Bracket - Paper End Sensor	29 - 3
B039 2737	Shaft - Paper Feed Roller	25 - 10
B039 2739	Shaft - Joint	25 - 23
B039 2740	Paper Feed Roller	25 - 11
B039 2742	Ground Plate - Paper Feed Roller	25 - 14
B039 2754	Bracket - Paper Size Sensor	59 - 5
B039 2754	Bracket - Paper Size Sensor	29 - 1
B039 2766	Guide Plate - Transport Roller	29 - 9
B039 2782	Tray Heater (120V)	57 - 15
B039 2783	Tray Heater (230V)	57 - 15
B039 2795	Guide Plate - Transport	29 - 12
B039 2797	Guide Plate - Transport Roller	29 - 10
B039 2812	Upper Bracket - Relay Sensor	29 - 28
B039 2813	Lower Bracket - Relay Sensor	29 - 27

Part No.	Description	Page and Index No.
B039 2821	Rear Stopper Lever	25 - 9
B039 2823	Joint - Paper Feed Roller	25 - 15
B039 2825	Ground Plate - Vertical Transport	29 - 13
B039 2829	Paper Size Detector - LT	25 - 20
B039 2830	Right Rail	29 - 34
B039 2834	Decal - Exit Paper Feed	67 - 6
B039 2834	Decal - Exit Paper Feed	29 - 37
B039 2840	Paper Tray Assembly - A4	25 - *
B039 2841	Paper Tray Assembly - LT	25 - *
B039 3031	Toner Supply Unit	39 - 1
B039 3060	Development Roller Gear	35 - 12
B039 3062	Idler Gear	35 - 9
B039 3150	Upper Development Case	35 - 7
B039 3170	Lower Development Unit	35 - 8
B039 3245	Transport Screw Gear	35 - 11
B039 3360	Cam - Handle	39 - 2
B039 3380	Cover - Toner Supply Unit	39 - 12
B039 3392	Guide Plate - Toner Supply Unit	39 - 15
B039 3395	Ground Plate - Toner Supply Unit	39 - 17
B039 3820	Transfer Roller	27 - 25
B039 3863	Quenching Terminal Plate	27 - 32
B039 3864	Quenching Terminal Plate - Front	27 - 35
B039 3865	Transfer Terminal Plate	27 - 36
B039 3867	Roller - Transfer Unit	27 - 31
B039 3870	Terminal - Transfer	39 - 10
B039 3890	ID Sensor	27 - 26
B039 3891	ID Sensor Cover	27 - 27
B039 4102	Fusing Exit Guide	41 - 1
B039 4106	Fusing Exit Door	41 - 23
B039 4114	Rear Ground Plate	41 - 32
B039 4115	Fusing Entrance Guide	41 - 30
B039 4116	Ground Plate - Fusing Unit	43 - 18
B039 4117	Discharge Brush	41 - 31
B039 4118	Front Ground Plate	41 - 4
B039 4119	Fusing Grounding Harness	43 - 17

Part No.	Description	Page and Index No.
B039 4120	Thermostat	41 - 5
B039 4135	Pressure Roller Lever	41 - 25
B039 4168	Stripper Pawls Stopper	41 - 33
B039 4170	Stripper Pawls Roller	41 - 29
B039 4171	Gear - 41Z	41 - 18
B039 4459	Exit Roller Holder - Inner	43 - 38
B039 4473	Exit Roller Ring	43 - 4
B039 4480	Stepped Screw - M5	45 - 31
B039 4480	Stepped Screw - M5	33 - 30
B039 4488	Jam Removal Decal	67 - 7
B039 4488	Decal - Jam Removal (B121)	33 - 29
B039 5228	AC Harness - Option Heater (B121)	53 - 15
B039 5260	AC Harness - Dehumidifier	57 - 16
B039 5743	Power Supply Cord - 230V	53 - 18
B039 5831	ADF Plug Bracket	53 - 5
B039 5887	Heater Switch Cover	55 - 14
B039 5888	Main Switch Bracket	53 - 14
B039 6058	Heater - 9W (230V Option)	57 - 2
B039 9510	OPC Drum	37 - 17
B040 5229	AC Harness - 2nd Tray Heater	59 - 8
B040 5506	IC:IMAC_K:RF5C789	63 - 1
B040 6038	Transport Roller	31 - 31
B040 6046	Support Bracket - Paper Switch	59 - 11
B040 6049	Bracket - Vertical Transport	31 - 20
B040 6052	Right Rail	59 - 3
B040 6054	Left Rail	59 - 2
B040 6058	Stay - Paper End Sensor	31 - 2
B040 6066	Vertical Transport Cover	31 - 3
B040 6067	Vertical Transport Guide	31 - 8
B040 6069	Transport Driven Roller	31 - 7
B040 6071	Guide Plate - Vertical Transport	31 - 28
B040 6074	Transport Roller Bracket	31 - 24
B040 6078	Bracket - Vertical Paper Sensor	31 - 26
B040 6091	Bracket - Vertical Transport Roller	31 - 13
B040 6093	Shaft - Vertical Transport Roller	31 - 9

Part No.	Description	Page and Index No.
B040 6096	Tightener Bracket	31 - 16
B040 6126	Front Lower Cover	11 - 20
B040 6131	Cover - Right Lower Front	11 - 21
B040 6135	Left Lower Cover (EU)	11 - 19
B040 6136	Left Lower Cover (NA)	11 - 19
B040 6138	Rear Lower Cover (EU)	11 - 17
B040 6139	Rear Lower Cover (NA)	11 - 17
B040 6140	Cover - Right Lower Rear	11 - 22
B040 6143	Right Bracket - Rear Lower Cover	59 - 1
B040 6144	Left Bracket - Rear Lower Cover	59 - 4
B040 6149	Lower Heater Bracket	59 - 7
B040 6150	Guide Plate - Upper Paper Feed	31 - 1
B043 2554	Registration Guide Spacer	27 - 33
B043 4609	Duplex Lower Stay	47 - 1
B043 4621	Exit Transport Roller	47 - 6
B043 4622	Entrance Transport Roller	47 - 8
B043 4623	Middle Transport Roller	47 - 7
B043 4624	Pulley - 30Z	47 - 18
B043 4631	Gear - 38Z	47 - 26
B043 4632	Coupled Gear 25/59Z	47 - 30
B043 4633	Gear - 22Z	47 - 24
B043 4642	Stopper - Guide Plate	45 - 30
B043 4645	Spring - 2N	45 - 18
B043 4646	Upper Spring Plate - Driven Roller	45 - 19
B043 4647	Lower Spring Plate - Driven Roller	45 - 9
B043 4650	Separation Pad	47 - 5
B043 4651	Door Lever	45 - 20
B043 4662	Guide Plate - Vertical Transport	45 - 5
B043 4667	By-pass Feed Guide - Lower	47 - 3
B043 4671	Bracket - Upper Guide Plate	45 - 22
B043 4674	Cover - Duplex Entrance Sensor	45 - 24
B043 4676	Bracket - Duplex Entrance Sensor	45 - 6
B043 4684	By-pass Feed Guide - Upper	47 - 9
B043 4685	Spring - 2.8N	47 - 4
B043 4686	By-pass Feed Shaft	47 - 16

Part No.	Description	Page and Index No.
B043 4692	Grip Decal	67 - 9
B043 4692	Grip Decal	45 - 29
B043 4694	Chain Bracket	47 - 34
B043 4698	Cap - 30x36	47 - 35
B043 4710	Duplex Motor - DC 13.2W	49 - 12
B043 4710	Duplex Motor - DC 13.2W	47 - 2
B043 4713	Gear - 25Z	47 - 25
B043 4714	Gear - 25Z	47 - 23
B043 4975	Gear - 18Z	49 - 4
B043 4979	Exit Roller	43 - 23
B043 4984	Junction Gate Solenoid	49 - 13
B043 4991	Coupled Gear - 15/51Z	49 - 10
B043 4993	Reverse Shelf	49 - 1
B043 4994	Inverter Motor Bracket	49 - 11
B043 4998	Rail - Reverse Shelf	49 - 8
B645 5010	SD-Card - Ass'y	69 - 8
B645 6700	SD-Card - Adapter:BN-SDAA2	69 - 9
B645 6800	SD-Card - USB:Writer:BN-SDCE2	69 - 10
C225 2866	Decal - Keytop Cover (REX)	13 - 22
C225 2867	Decal - Keytop Cover (NSA)	13 - 22
G012 3050	Side Fence Gear	23 - 7
G020 2599	Spring - Release Lever	25 - 22
G020 2644	End Fence	25 - 1
G020 2784	Lever - By-pass Feed Table	23 - 15
G020 2786	Shaft - By-pass Release Lever	23 - 20
G020 3334	Slider Ass'y	39 - 8
G020 5626	Push Switch	31 - 25
G020 5626	Push Switch	57 - 13
G020 5829	Shoulder Screw - M3x2.5	27 - 28
G020 5871	Spacer - KGLS-12RF	55 - 17
G021 9350	Loopback Connector - Parallel	69 - 7
G027 1235	Tapping Screw - M3x33	55 - 8
G027 1235	Tapping Screw - M3x33	53 - 2
G029 1980	Decal - LD	21 - 7
G029 1980	Decal - LD	67 - 2

Part No.	Description	Page and Index No.
G029 4140	External Circlip	41 - 17
G029 4174	Pressure Roller Bushing	41 - 27
G029 4176	Turn Roller - Exit Sub-unit	43 - 37
G052 4618	Bearing 30x42x7	41 - 19
G052 4873	Outer Exit Cover Roller	43 - 31
G060 2641	Transport Driven Roller - Middle	45 - 7
G060 2801	Holder - Paper Tray	57 - 11
G060 2801	Holder - Paper Tray	59 - 9
G093 6006	Knob Screw:M3	49 - 17
G552 7050	Photointerruptor	43 - 22
G570 2730	Slider - Scanner	17 - 18
G800 3035	Push SW - Paper Size	59 - 6
G800 3035	Push SW - Paper Size	29 - 2
G800 4854	Exit Roller	43 - 39

Part No.	Description	Page and Index No.
N607 4525	Coil - RITL-9704 (230V)	57 - 8
N803 6701	Flash Memory Card-4mb	69 - 4

Part No.	Description	Page and Index No.
AA04 3527	Timing Belt - 230XL	31 - 19
AA06 0228	Spring - Transfer Drum Cleaning SOL	31 - 15
AA06 2254	Registration Roller Spring	27 - 2
AA06 2324	Pressure Spring	41 - 26
AA06 3334	Spring - Vertical Transport	31 - 5
AA06 3398	Spring - Friction Pad	33 - 7
AA06 3399	Spring - Vertical Transport	45 - 3
AA06 3399	Spring - Vertical Transport	33 - 3
AA06 3570	Tension Spring	41 - 35
AA06 3607	Pressure Spring	27 - 24
AA06 3643	Spring - By-pass Feed Table	23 - 8
AA06 6342	Registration Sensor Spring	27 - 10
AA06 6343	Spring - Paper End Sensor	33 - 20
AA06 6343	Spring - Paper End Sensor	47 - 14
AA06 6635	Spring - Fusing Exit Guide	41 - 24
AA06 6637	Stripper Pawl Spring	41 - 8
AA06 6641	Gate Pawl Spring	43 - 25
AA08 0249	Bushing - Vertical Transport	31 - 6
AA08 0252	Bushing - M4	31 - 23
AA08 0267	Bushing - 8x12x18	27 - 6
AA08 0268	Bushing - Vertical Transport	33 - 2
AA08 0268	Bushing - Vertical Transport	45 - 2
AA08 0269	Front Bushing - Registration Roller	27 - 5
AA08 0270	Rear Bushing - Registration Roller	27 - 22
AA08 0313	Driven Roller Bushing	45 - 8
AA08 2063	Bushing - 8x10x5	43 - 5
AA08 2073	Roller Busing	41 - 36
AA08 2101	Bushing - 6x10x6	47 - 17
AA08 2101	Bushing - 6x10x6	31 - 10
AA08 2101	Bushing - 6x10x6	33 - 18
AA08 2101	Bushing - 6x10x6	29 - 15
AA08 2110	Bushing - 8x12x22	27 - 23
AA10 0015	Snap Ring - M6	51 - 26
AA10 0015	Snap Ring - M6	27 - 8
AA12 0094	Antistatic Brush	49 - 3

Part No.	Description	Page and Index No.
AA14 1086	Shaft - By-pass Paper Feed	33 - 12
AA14 3444	Stepped Screw	37 - 11
AA14 3716	Stepped Screw	41 - 2
AB01 1402	Gear - 14Z	37 - 13
AB01 1403	Gear - 13Z	37 - 12
AB01 2311	Gear - 18Z	27 - 7
AB01 2312	Gear - 16Z	27 - 4
AB01 2313	Gear - 25Z	33 - 13
AB01 2314	Gear - 25Z	31 - 14
AB03 0569	Pulley - 30T	47 - 20
AB03 0701	Gear/pulley - 24/30Z	31 - 18
AB03 0702	Timing Pulley - 30Z	31 - 17
AC01 2068	Exposure Glass	15 - 10
AC02 0095	Sync Detector Lens	21 - 19
AC02 4009	Cylindrical Lens	21 - 9
AC03 0138	2nd Mirror	21 - 17
AC03 0139	Sync Detector Mirror	21 - 8
AC04 2164	Rear Scale	15 - 11
AC04 2166	Left Scale	15 - 2
AD02 7014	Charge Roller	37 - 21
AD04 2058	Charge Cleaner Brush Roller	37 - 22
AD04 2059	Cleaning Blade Ass'y	37 - 15
AE01 1080	Hot Roller Mm30	41 - 20
AE02 0150	Pressure Roller Mm25	41 - 22
AE04 2063	Fusing Cleaning Roller Ass'y	41 - 6
AE04 4040	Stripper Pawl	41 - 9
AF02 0541	Right Registration Roller	27 - 19
AF02 1080	Left Registration Roller	27 - 18
AF02 2138	Vertical Transport Roller	45 - 1
AF02 2138	Vertical Transport Roller	33 - 1
AF03 1060	By-pass Feed Roller	47 - 15
AF03 1060	By-pass Feed Roller	33 - 17
AG07 0014	Magnet Catch	31 - 4
AG07 0014	Magnet Catch	33 - 24
AG07 0014	Magnet Catch	47 - 21

Part No.	Description	Page and Index No.
AH01 0009	Rubber Foot - GF (B039)	57 - 5
AH01 0009	Rubber Pad - H5	59 - 10
AW01 0100	Paper Feed Sensor	49 - 9
AW02 0086	Photointerruptor	15 - 4
AW02 0119	Photointerruptor - LG-248L1	27 - 13
AW02 0119	Photointerruptor - LG-248L1	33 - 22
AW02 0119	Photointerruptor - Lg-248I1	47 - 12
AW02 0119	Photointerruptor - LG-248L1	29 - 29
AW02 0119	Photointerruptor - LG-248L1	15 - 6
AW02 0124	Paper Sensor	31 - 27
AW02 0124	Paper Sensor	45 - 11
AW10 0073	Thermistor	41 - 3
AX06 0267	Polygon Scanner 23622rpm	21 - 16
AX06 0270	Brushless Motor 24V/20W	51 - 1
AX20 0225	Magnetic Clutch - 46Z	29 - 26
AX20 0225	Magnetic Clutch - 46Z	31 - 12
AX20 0227	Registration Clutch	51 - 4
AX20 0265	Magnetic Clutch 0.35n M Z31	29 - 14
AX31 0039	Total Counter - 7Fig 24V	39 - 16
AX40 0095	Anti-condensation Heater - 230V 9W	57 - 17
AX64 0144	Fan Mm80 Dc24v/3.6w	55 - 9
AX64 0145	Fan Dc24v/1.92w	53 - 3
AZ23 0122	Power Supply Unit NA	53 - 13
AZ23 0123	Power Supply Unit EU/AA	53 - 13
AZ32 0131	Power Pack BCT	55 - 16
GA00 3035	Energy Decal	67 - 1
GA00 3035	Energy Decal	9 - 23
GA00 3035	Energy Decal	11 - 28

Part No.	Description	Page and Index No.
VSSM 9000	Digital Multimeter - Fluke187	69 - 3

Part No.	Description	Page and Index No.
0313 0060B	Philips Pan Head Screw - M3x6	41 -104
0313 0060B	Philips Pan Head Screw - M3x6	49 -103
0353 0050Z	Philips Truss Head Screw - M3x5	13 -102
0360 3006B	Tapping Screw - M3x6	35 -101
0360 3006W	Philips Pan Head Screw- M3x6	19 -107
0433 0060B	Philips Tapping Screw - M3x6	47 -106
0450 3008B	Tapping Screw - M3x8	31 -101
0450 3008B	Tapping Screw - M3x8	29 -106
0450 3008B	Tapping Screw - M3x8	39 -101
0450 3008B	Tapping Screw - M3x8	43 -102
0450 3008B	Tapping Screw - M3x8	27 -101
0450 3008B	Tapping Screw - M3x8	45 -101
0450 3008B	Tapping Screw - M3x8	47 -102
0450 3008B	Tapping Screw - M3x8	33 -101
0450 3008B	Tapping Screw - M3x8	57 -107
0450 3008B	Tapping Screw - M3x8	49 -102
0450 3008B	Tapping Screw - M3x8	55 -102
0450 3008B	Tapping Screw - M3x8	51 -104
0450 3010B	Tapping Screw - M3x10	43 -104
0450 3012B	Tapping Screw -3x12	21 -102
0450 3012B	Tapping Screw -3x12	27 -102
0450 3020B	Tapping Screw - M3x20	21 -103
0450 4008B	Tapping Screw - 4x8	9 -102
0450 4008B	Tapping Screw - 4x8	43 -106
0450 4008B	Tapping Screw - 4x8	11 -103
0450 4010B	Tapping Screw - 4x10	51 -101
0451 3006B	Tapping Screw - M3x6	33 -102
0451 3006B	Tapping Screw - M3x6	55 -101
0451 3006B	Tapping Screw - M3x6	37 -101
0451 3006B	Tapping Screw - M3x6	47 -107
0451 3006B	Tapping Screw - M3x6	59 -101
0451 3006B	Tapping Screw - M3x6	43 -103
0451 3006B	Tapping Screw - M3x6	53 -102
0451 3006B	Tapping Screw - M3x6	45 -102
0451 3006B	Tapping Screw - M3x6	47 -101

Part No.	Description	Page and Index No.
0451 3006B	Tapping Screw - M3x6	49 -106
0451 3006B	Tapping Screw - M3x6	57 -101
0451 3006B	Tapping Screw - M3x6	31 -102
0451 3006B	Tapping Screw - M3x6	11 -102
0451 3006B	Tapping Screw - M3x6	19 -101
0451 3006B	Tapping Screw - M3x6	17 -101
0451 3006B	Tapping Screw - M3x6	15 -101
0451 3006B	Tapping Screw - M3x6	29 -101
0451 3008H	Tapping Screw - M3x8	53 -101
0451 3008H	Tapping Screw - M3x8	49 -101
0451 3008H	Tapping Screw - M3x8	9 -101
0451 3008H	Tapping Screw - M3x8	57 -102
0451 3008H	Tapping Screw - M3x8	23 -101
0451 3008H	Tapping Screw - M3x8	53 -103
0451 3008H	Tapping Screw - M3x8	13 -101
0451 3008H	Tapping Screw - M3x8	11 -101
0451 3030B	Tapping Screw - 3x30	53 -112
0452 3008B	Tapping Screw - M3x8	39 -102
0452 3008B	Tapping Screw - M3x8	37 -102
0452 3008B	Tapping Screw - M3x8	41 -103
0452 3008B	Tapping Screw - M3x8	35 -102
0452 3010B	Tapping Bind Screw - M3x10	21 -101
0452 3012B	Tapping Screw - M3x12	37 -104
0452 3014B	Tapping Screw - M3x14	21 -104
0453 3006B	Tapping Screw - M3x6	19 -108
0720 0030E	Philips Screw - M4x8	43 -105
0720 0040E	Retaining Ring - M4	49 -105
0720 0040E	Retaining Ring - M4	47 -103
0720 0040E	Retaining Ring - M4	31 -104
0720 0040E	Retaining Ring - M4	33 -103
0720 0040E	Retaining Ring - M4	29 -103
0720 0060E	Retaining Ring - M6	51 -103
0720 0060E	Retaining Ring - M6	19 -106
0736 0610	Bushing - 6x10	37 -103
0801 0149	Philips Pan Head Screw - M4x6	53 -104

Part No.	Description	Page and Index No.
0802 5276	Tapping Screw With Washer - M3x6	15 -102
0802 5276	Tapping Screw With Washer - M3x6	19 -102
0802 5276	Tapping Screw With Washer - M3x6	29 -102
0802 5276	Tapping Screw With Washer - M3x6	57 -103
0802 5277	Tapping Screw	51 -102
0804 6075	Hexagonal Bolt - M3x8	41 -101
0805 0088	Retaining Ring - M6	25 -101
0805 0097	Ring Separator	29 -104
0805 3383	Bushing - M5	49 -104
0805 3530	Bearing 8x22x7	19 -105
0950 3006B	Screw - M3x6	57 -108
0950 3006B	Screw - M3 X 6	59 -103
0954 3010B	Philips Screw - M3x10	41 -105
0954 3010B	Philips Screw - M3x10	41 -102
1102 4201	Connector - 2P	63 -101
1102 4202	Connector - 3P	63 -102
1102 4203	CT Header - 4P	63 -103
1102 4205	CT Header - 6P	63 -104
1102 4207	Connector - 8P	63 -105
1102 5301	Connector - 2P	63 -106
1102 5306	Connector - 7P	63 -107
1102 6295	Connector - 2P	63 -108
1102 6297	Connector - 4P	63 -109
1102 6299	Connector - 6P	63 -110
1102 6307	Connector - 14P	63 -111
1102 6313	Connector - 6P	63 -112
1102 6396	Connector - 1P	63 -113
1102 6893	Connector - 30p	63 -114
1102 7389	Connector - FH12-50S-0.5SV	63 -115
1102 8655	Connector - 9P 353297-9	63 -116
1102 8661	Connector - FCN-564P068-G/SC-4V	63 -117
1102 8728	Connector - FFC/FPC SLD5R-1	63 -118
1102 9108	Connector - 353297-3	63 -119
1102 9109	Connector - 353297-4	63 -120
1102 9110	Connector - 353297-6	63 -121

Part No.	Description	Page and Index No.
1102 9111	Connector - 353297-7	63 -122
1102 9112	Connector - 353297-8	63 -123
1102 9113	Connector - 1-353297-0	63 -124
1102 9114	Connector - 353297-1	63 -125
1102 9116	Connector - 353297-5	63 -126
1102 9119	Connector - 2-353297-0	63 -127
1102 9132	Connector - 353303-7	63 -128
1102 9548	Connector - TX25-100P-8ST-H1	63 -129
1104 0588	DIP Socket - 28p	63 -130
1105 0009	Nylon Clamp - 5N	47 -105
1105 0197	Wire Saddle	57 -106
1105 0487	Harness Clamp	55 -103
1105 0487	Harness Clamp	53 -105
1105 0487	Harness Clamp	19 -104
1105 0487	Harness Clamp	57 -105
1105 0487	Harness Clamp	29 -107
1105 0488	Harness Clamp	51 -105
1105 0488	Harness Clamp	57 -109
1105 0499	Support Spacer - M3x29	55 -104
1105 0511	Harness Clamp - LWS-0306ZC	29 -105
1105 0511	Harness Clamp - LWS-0306ZC	31 -103
1105 0511	Harness Clamp - LWS-0306ZC	57 -104
1105 0511	Harness Clamp - LWS-0306ZC	45 -103
1105 0511	Harness Clamp - LWS-0306ZC	47 -104
1105 0511	Harness Clamp - LWS-0306ZC	53 -106
1105 0511	Harness Clamp - LWS-0306ZC	59 -102
1105 0511	Harness Clamp - LWS-0306ZC	19 -103
1105 0522	Edge Saddle - Les0510	27 -103
1107 0629	FUSE:15A:125V	53 -108
1107 0877	FUSE:3.15A:250V	53 -107
1107 0880	FUSE:6.3A:250V	53 -107
1204 2521	Micro Switch	43 -101
1204 2608	Rocker Switch:Sddje33900	53 -113
1400 0443	Transistor - DTB114EK	63 -131
1400 0571	Transistor - 2SA1577	63 -132

Part No.	Description	Page and Index No.
1400 0702	Transistor - DTD143EK	63 -133
1400 0901	Transistor - DTC144VUA	63 -134
1400 0919	Transistor - DTCL43XUA	63 -135
1400 0962	Transistor - 2SB1412	63 -136
1401 1175	Fet - HAT1043M	63 -137
1402 1336	Diode - 1SS355	63 -138
1402 1487	Diode - RB480K	63 -139
1402 1584	Diode - DAN217U	63 -140
1402 1662	Diode:PTZ6.2B	63 -141
1403 0996	LED - SML-310VT	63 -142
1407 2187	TTLIC - SN74LS07NS	63 -143
1407 2219	IC - TD62003AP	63 -144
1407 5299	RAM - FM1608-120-P	63 -145
1407 5353	IC - SN74LV244APW	63 -146
1407 5364	IC - SN74AHCT244PW	63 -147
1407 5376	IC - SN74LV32APW	63 -148
1407 5454	IC - SN74LV86APW	63 -149
1407 5469	IC - SN74LV07APW	63 -150
1407 5555	IC - SN74AHCT126PW	63 -151
1407 5886	CPU - Hd6412390f20	63 -152
1407 6032	IC - SN74LV161APW	63 -153
1408 1204	IC - TA8083P	63 -154
1408 1233	Regulator - LM1117MP-3.3	63 -155
1408 1290	Regulator - TA7805S	63 -156
1408 1428	Regulator - TA78M12S	63 -157
1408 1550	IC - LM2902PW	63 -158
1408 1585	IC - STK672-310	63 -159
1408 1779	IC - R3112Q281A	63 -160
1408 1818	Series Regulator - LM1117MP-1.8	63 -161
1408 1911	Comparator - LM2903PW	63 -162
1408 1929	IC - R3112Q441A	63 -163
1503 0993	Crystal Oscillator- 14.7456Mhz	63 -164
1600 1334	Resistor-220Ω±5%2W	63 -165
1600 1682	Resistor - 680 Ω ±5% 2W	63 -166
1601 5492	Resistor - 47Ω ±5% 2W	63 -167

Part No.	Description	Page and Index No.
1601 7751	Resistor - 4.7KΩ ±5%	63 -168
1601 7752	Resistor Array - 10K Ω ±5%	63 -169
1601 7791	Resistor Array - 1K Ω ±5%	63 -170
1601 7814	Resistor - 3.3K Ω ±5%	63 -171
1601 7866	Resistor Array - 150Ω ±5%	63 -172
1601 7867	Resistor - 33 Ω ±5% 1/16W	63 -173
1601 7871	Resistor - 68Ω ±5% 1/16W	63 -174
1602 7026	Capacitor - 1000pF ±20% 100V	63 -175
1605 0976	Capacitor - 1μF +80% -20% 10V	63 -176
1605 1148	Capacitor - 0.1μF +80-20% 50V	63 -177
1605 1160	Capacitor - 0.22μF:+80-20%:16V	63 -178
1605 1190	Ceramic Capacitor - 0.022μF ±10% 50V	63 -179
1605 1287	Capacitor - 0.47μF +80-20% 25V	63 -180
1606 8042	Resistor Array - Ckca43ch1h470k	63 -181
1607 0069	Fuse - BL02RM2-R62-PB	63 -182
1607 1002	IC - NFM60R30T222	63 -183
1607 1061	Filter - BLM11P300SPB	63 -184
1607 1106	IC - LC0805L473M	63 -185
1607 1107	IC - LC0805L104M	63 -186
1607 1298	Filter - LCZ0805S224M7	63 -187
1609 0005	Resistor - 33 Ω:±5%:1/16W	63 -188
1609 0006	Resistor - 10k Ω:±5%:1/16W	63 -189
1609 0007	Resistor - 68Ω ±5% 1/16W	63 -190
1609 0027	Resistor - 100KΩ±5% 1/16W	63 -191
1634 0000	Resistor - 0 Ω 1/16W	63 -192
1640 0101	Capacitor - 100μF 10V	63 -193
1640 5101	Capacitor - 100μF ±20% 50V	63 -194
1640 5470	Capacitor - 47μF ±20% 50V	63 -195
1642 0470	Capacitor - 47μF ±20% 10V	63 -196
1642 5100	Capacitor - 10μF ±20% 50V	63 -197
1650 2620	Resistor - 62Ω ±5% 1/4W	63 -198
1650 4102	Resistor - 1KΩ ±5% 1/10W	63 -199
1650 4103	Resistor - 10KΩ ±5% 1/10W	63 -200
1650 4104	Resistor - 100KΩ±5%1/10W	63 -201
1650 4105	Resistor - 1MΩ ±5% 1/10W	63 -202

Part No.	Description	Page and Index No.
1650 4201	Resistor - 200Ω±5%1/10W	63 -203
1650 4203	Resistor - 20KΩ ±5% 1/10W	63 -204
1650 4222	Resistor - 2.2KΩ±5%1/10W	63 -205
1650 4243	Resistor - 24KΩ±5%1/10W	63 -206
1650 4330	Chip Resistor - 33Ω ±5% 1/10W	63 -207
1650 4331	Resistor - 330Ω±5%1/10W	63 -208
1650 4332	Resistor - 3.3KΩ±5%1/10W	63 -209
1650 4391	Resistor - 390Ω ±5% 1/10W	63 -210
1650 4472	Resistor - 4.7KΩ ±5% 1/10W	63 -211
1650 4511	Resistor - 510Ω±5%1/10W	63 -212
1650 4624	Resistor - 620KΩ ±5% 1/10W	63 -213
1650 4680	Resistor - 68Ω±5%1/10W	63 -214
1650 4750	Resistor - 75Ω±5%1/10W	63 -215
1650 4751	Resistor - 750Ω ±5% 1/10W	63 -216
1654 1000	Resistor - 100Ω ±1% 1/10W	63 -217
1654 1002	Resistor - 10KΩ±5%1/10W	63 -218
1654 1003	Resistor - 100KΩ±1%1/10W	63 -219
1654 1600	Chip Resistor - 160 Ω	63 -220
1654 2551	Resistor - 2.55KΩ ±1% 1/10W	63 -221
1654 4220	Resistor - 422Ω ±1% 1/10W	63 -222
1654 4700	Resistor - 470Ω±1%1/10W	63 -223
1654 9101	Resistor - 9.1kΩ:±1%:1/10w	63 -224
1660 2101	Capacitor - 100pF - ±10% - 50V	63 -225
1660 2120	Capacitor - 12pF ±5% 50V	63 -226
1660 2270	Capacitor - 27pF ±20% 35V	63 -227
1660 2470	Capacitor - 47pF ±5% 50V	63 -228
1660 2471	Capacitor - 470pF - ±5% - 50V	63 -229
1660 6103	Capacitor - 10000pF - +80%-20%50V	63 -230
1660 8104	Capacitor - 0.1μF +80-20% 25V	63 -231
1902 0068	Ram:1m:X8:Tsop:G4	63 -232
1906 0018	Flash Memory - MBM29F160BE70TN	63 -233
1907 0012	SDRAM - 128M 2MX16X4 133Mhz	63 -234

Part No.	Description	Page and Index No.
5203 9502	Grease 501	69 - 1
5206 2686	Snap Ring	31 - 30
5215 2621	Snap Ring - M6	25 - 6
5215 2713	Bottom Plate Pad	25 - 27
5304 1639	Bushing - 8mm	51 - 24
5442 1924	Exposure Glass Cushion	15 - 15
5447 2681	Snap Ring	23 - 18
5447 2681	Snap Ring	27 - 3
5447 2681	Snap Ring	29 - 6
5447 2681	Snap Ring	31 - 29